

CORE

GUST

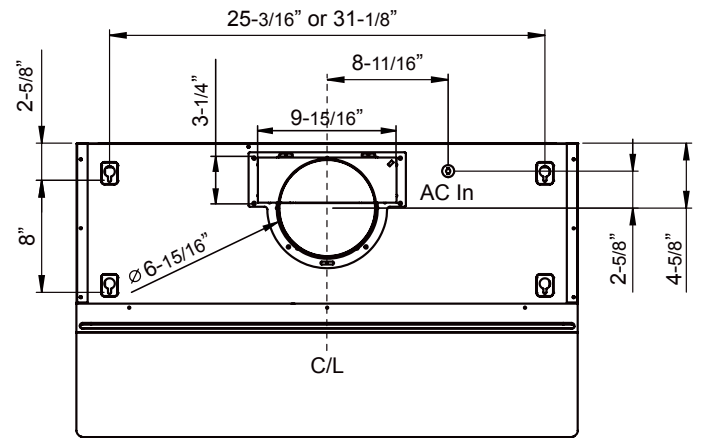
UNDER-CABINET

A discreet, European-style, professional-looking range hood, Gust adds fashion to under-cabinet installations. With its mechanical controls neatly tucked away below the canopy, Gust provides the subtlety its owners require. Its perfectly curved corners and

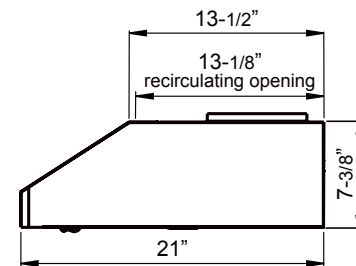
understated top-mounted return-air louver offer further evidence that Gust spares nothing when it comes to quality construction. Available with LumiLight LED lighting and optional recirculating kit.

**ZEPHYR**

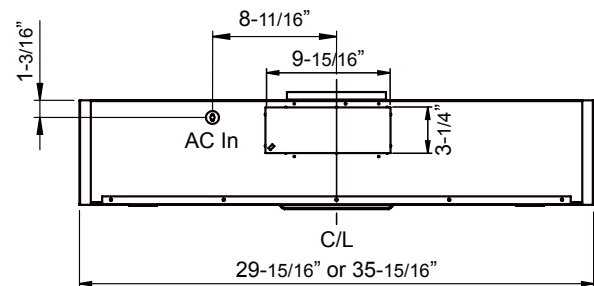
ZEPHYRONLINE.COM



TOP



SIDE



BACK

MODEL	AK7100BS-BF	AK7100BS290-BF	AK7136BS-BF	AK7136BS290-BF
Stainless Steel Size	30"	30"	36"	36"
<b>BLOWER PERFORMANCE</b>				
Blower CFM (Min. - Max.)	150 - 400	120 - 290	150 - 400	120 - 290
Sones (Min. - Max.)	2 - 5	1.1 - 3.2	2 - 5	1.1 - 3.2
<b>FEATURES</b>				
Controls	Mechanical Slide	Mechanical Slide	Mechanical Slide	Mechanical Slide
Speed Levels	3	3	3	3
Auto Delay-Off	No	No	No	No
Lighting	LumiLight LED, 6W x2	LumiLight LED, 6W x2	LumiLight LED, 6W x2	LumiLight LED, 6W x2
Dual-Level Lighting	Yes	Yes	Yes	Yes
Filters	Baffle x2	Baffle x2	Baffle x2	Baffle x2
Recirculating Option	Yes	Yes	Yes	Yes
<b>DUCT SPECIFICATIONS</b>				
Vertical Internal Blower	7" Round or 3-1/4" x 10"	7" Round or 3-1/4" x 10"	7" Round or 3-1/4" x 10"	7" Round or 3-1/4" x 10"
Horizontal Internal Blower	3-1/4" x 10"	3-1/4" x 10"	3-1/4" x 10"	3-1/4" x 10"
400 CFM AC POWER	120V, 60Hz at Max. 1.7A	120V, 60Hz at Max. 1.7A	120V, 60Hz at Max. 1.7A	120V, 60Hz at Max. 1.7A
290 CFM AC POWER	120V, 60Hz at Max. 1.55A	120V, 60Hz at Max. 1.55A	120V, 60Hz at Max. 1.55A	120V, 60Hz at Max. 1.55A
<b>OPTIONAL ACCESSORIES</b>				
Recirculating Kit	ZRC-0071	ZRC-0071	ZRC-0071	ZRC-0071
Make-Up Air Kit	MUA006A	MUA006A	MUA006A	MUA006A
Damper, 7" Round	AK00067	AK00067	AK00067	AK00067
<b>MOUNTING HEIGHT RANGE*</b>	24" - 32"	24" - 32"	24" - 32"	24" - 32"
<b>WARRANTY</b>	3 years parts, 1 year labor	3 years parts, 1 year labor	3 years parts, 1 year labor	3 years parts, 1 year labor

\*Mounting height refers to distance between top of a 36" tall cooking surface and bottom of hood.