

One of our founding models, Typhoon is not only good looking but packed with powerful, virtually noise-free 850-CFM blowers. It includes a convenient self-cleaning system along with tri-level LumiLight LED lights that

invite you and your guests to a warm respite from the everyday. Available in black, white and stainless steel. Now with Quiet Speed Setting (QSS) and ACT™ technology.

ACT™

	INTERNAL BLOWER STANDARD	INTERNAL BLOWER with ACT™ AIRFLOW CONTROL TECHNOLOGY™*	
Min. - Max. CFM	250 - 850	250 - 390	250 - 290
Min. - Max. Sones	0.9 - 5	0.9 - 2.5	0.9 - 1.5

*AIRFLOW CONTROL TECHNOLOGY™ (ACT™) is an exclusive feature built into specific Zephyr hoods which can limit the maximum blower CFM to meet local code requirements.



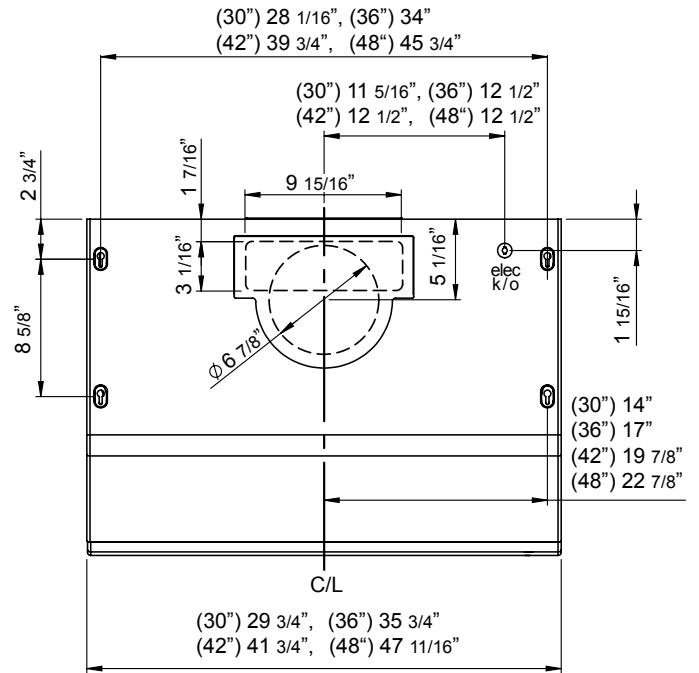
Stainless Steel



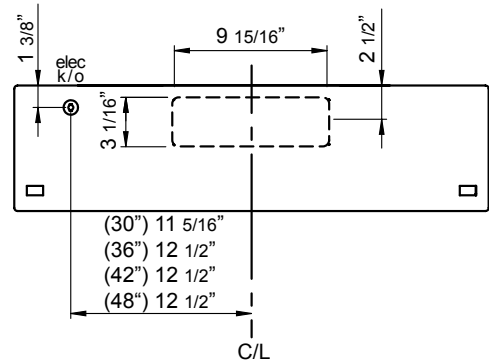
Black



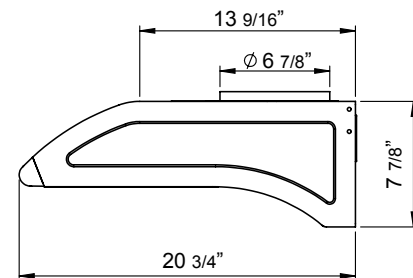
White



TOP



SIDE



BACK

MODEL

Black	AK2100CB	AK2136CB		
White	AK2100CW	AK2136CW		
Stainless Steel	AK2100CS	AK2136CS	AK2142CS	AK2148CS
Size	30"	36"	42"	48"

BLOWER PERFORMANCE

Blower CFM (Min. - Max.)	250 - 850	250 - 850	250 - 850	250 - 850
Sones (Min. - Max.)	0.9 - 5	0.9 - 5	0.9 - 5	0.9 - 5
ACT 390 CFM (Min. - Max.)	250 - 390	250 - 390	250 - 390	250 - 390
ACT 390 Sones (Min. - Max.)	0.9 - 2.5	0.9 - 2.5	0.9 - 2.5	0.9 - 2.5
ACT 290 CFM (Min. - Max.)	250 - 290	250 - 290	250 - 290	250 - 290
ACT 290 Sones (Min. - Max.)	0.9 - 1.5	0.9 - 1.5	0.9 - 1.5	0.9 - 1.5

FEATURES

ACT™ Technology	Yes	Yes	Yes	Yes
Controls	Capacitive Touch	Capacitive Touch	Capacitive Touch	Capacitive Touch
Speed Levels	6*	6*	6*	6*
Quiet Speed Setting (QSS)	Yes	Yes	Yes	Yes
Auto Delay-Off	Yes	Yes	Yes	Yes
Lighting	LumiLight LED, 6W x2	LumiLight LED, 6W x2	LumiLight LED, 6W x2	LumiLight LED, 6W x2
Tri-Level Lighting	Yes	Yes	Yes	Yes
Removable Safety Grilles	2	2	2	2
Recirculating Option	No	No	No	No
Self-Cleaning	Yes	Yes	Yes	Yes

DUCT SPECIFICATIONS

Vertical Internal Blower	7" Round or 3-1/4" x 10"	7" Round or 3-1/4" x 10"	7" Round or 3-1/4" x 10"	7" Round or 3-1/4" x 10"
Horizontal Internal Blower	3-1/4" x 10"	3-1/4" x 10"	3-1/4" x 10"	3-1/4" x 10"
AC POWER	120V, 60Hz at Max. 2A	120V, 60Hz at Max. 2A	120V, 60Hz at Max. 2A	120V, 60Hz at Max. 2A

OPTIONAL ACCESSORIES

Make-Up Air Kit	MUA008A	MUA008A	MUA008A	MUA008A
Damper, 7" Round	AK00067	AK00067	AK00067	AK00067

MOUNTING HEIGHT RANGE**	24" - 32"	24" - 32"	24" - 32"	24" - 32"
-------------------------	-----------	-----------	-----------	-----------

WARRANTY	10 years parts, 1 year labor	10 years parts, 1 year labor	10 years parts, 1 year labor	10 years parts, 1 year labor
----------	------------------------------	------------------------------	------------------------------	------------------------------

*When ACT is enabled the maximum speed levels will change. ACT 390 CFM = 3 speeds and ACT 290 CFM = 2 speeds.

**Mounting height refers to distance between top of a 36" tall cooking surface and bottom of hood.

ACT™ AIRFLOW CONTROL TECHNOLOGY™ (ACT™) is an exclusive feature built into specific Zephyr hoods which can limit the maximum blower CFM to meet local code requirements.

Specifications subject to change, check zephyronline.com for up-to-date information.
Zephyr Ventilation | 2277 Harbor Bay Parkway, Alameda, CA 94502 | 888.880.VENT

OCT20.0101

