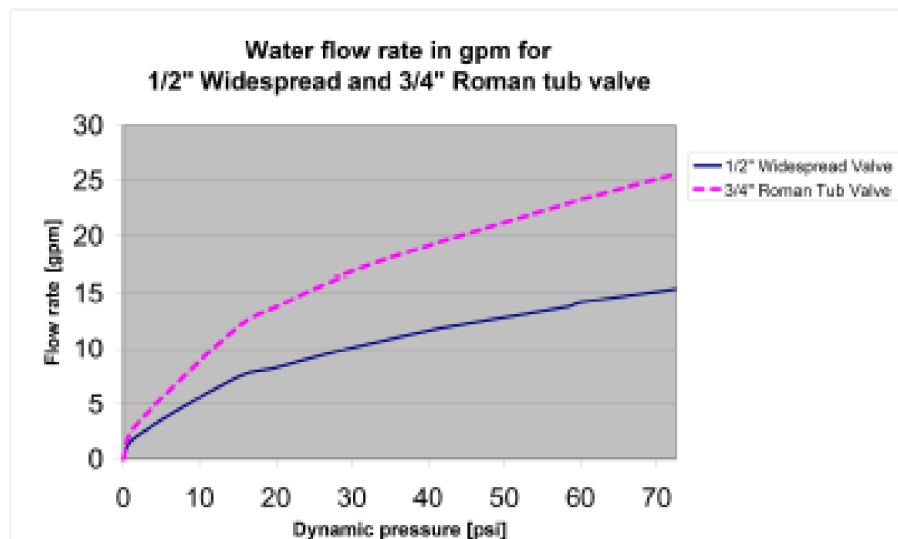
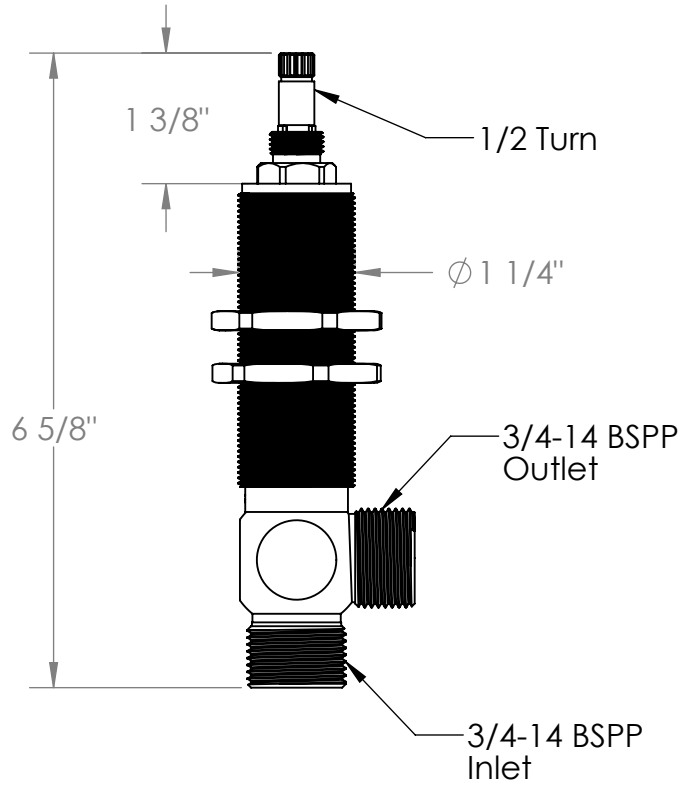


SS-508-H/C
Roman Tub Valve



Meets the applicable requirements of ASME A12.18.1-2005/CSA B125.1-05, entitled "Plumbing Supply Fittings"