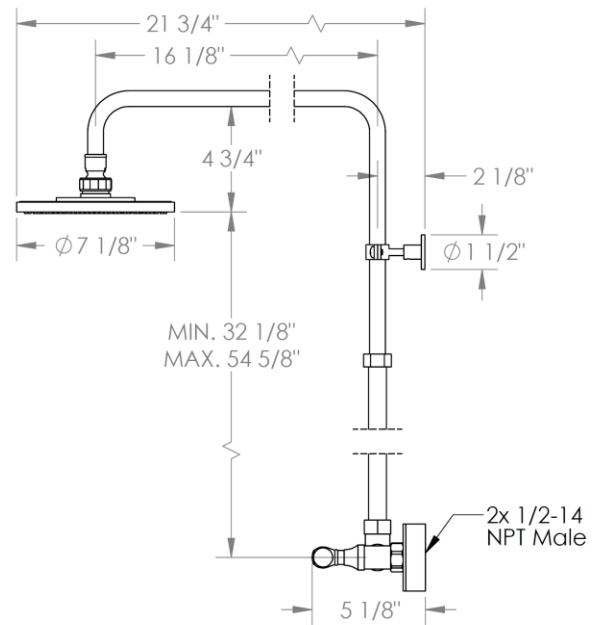
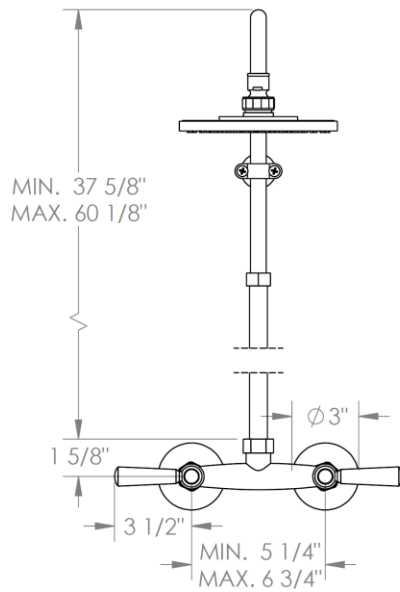
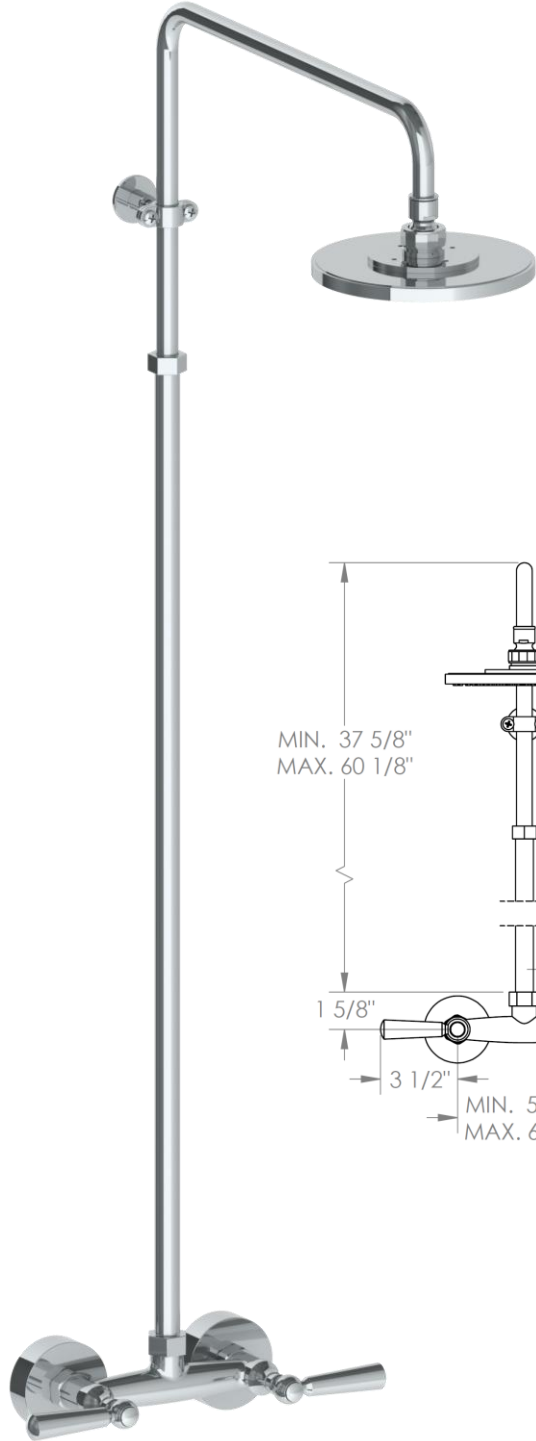


34-6.1-

Wall Mounted Exposed Shower

Flow Rate: 1.75 GPM

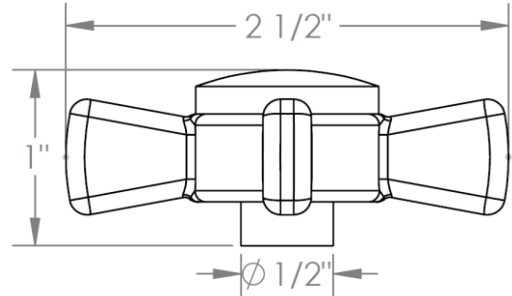
Note: Some building codes may require remote pressure balance valves for anti-scald



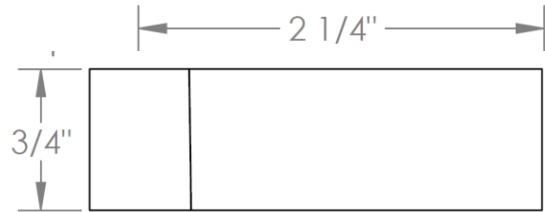
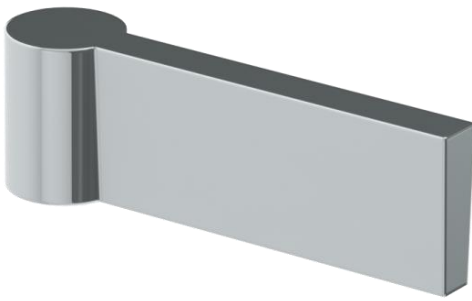
Meets the applicable requirements of ASME A112.18.1-2005/CSA B125.1-05, entitled "Plumbing Supply Fittings"

HANDLE TRIM OPTIONS

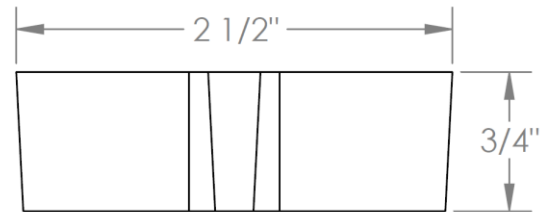
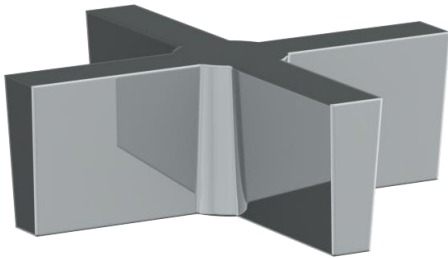
B9M - SISTINA



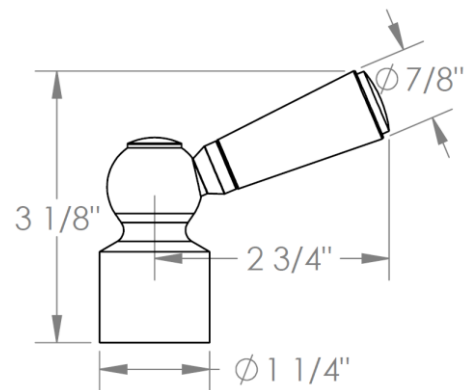
DD2 - ASTAIRE



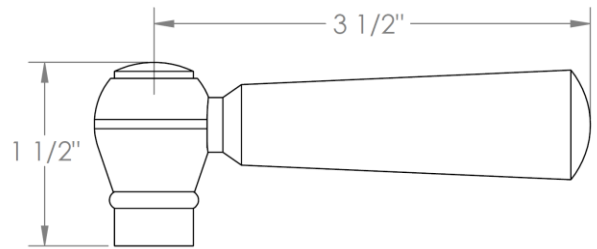
DD3 - GARBO



H4 - HARMONIE



S1A – NOTTINGHAM



S1 – PRESTON

