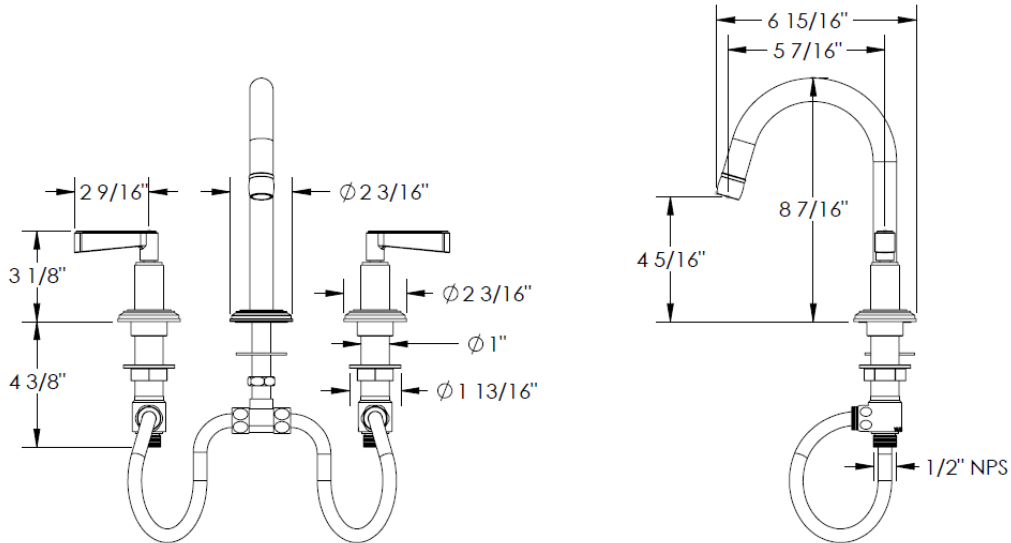


FEATURES

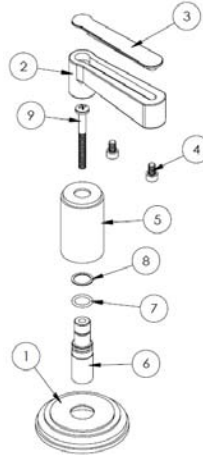
- ¼ turn washerless ceramic disc valve cartridges
- Flexible hose connection for 8" to 16" spread installations
- Flow rate 1.5 gpm (5.7 lpm) maximum flow rate
- Solid brass construction
- Listed by IAPMO, CSA, NSF, and other municipalities
- Warranty:
 - Limited lifetime warranty (residential use)
 - One year (commercial use)
- Shipping weight (lbs.) 10
- Shipping dimensions (in.): 29x12x4



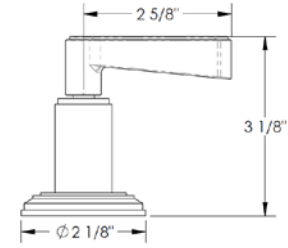
ITEM NO.	PART NUMBER	QTY.
1	27-2-SPT	1
2	28-2.1-AERTR-SHLL	1
4	NEOPERL PERLATOR JR	1
6	142-LOCK-NUT	1
8	142-TEE-GSKT	1
9	142-TEE	1
10	142-HRS-SHOE-WSHR	1
12	502 FLEX HOSE	2
13	30-2-BASE-RBBR-GSKT	1
14	142-LOCK-NUT	2
15H/15C	SS-502 Valve Body	2
16H/16C	SS-502 Cartridge	2
17	L4-TOP-LOCK-NUT	2

HANDLE TRIMS

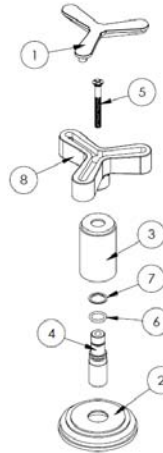
Norwood (Code: TR24)



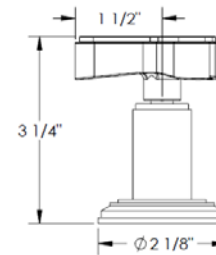
ITEM NO.	PART NUMBER	QTY.
1	TR24-ESC	1
2	TR14-LVR-BITM	1
3	TR14-LVR-CAP	1
4	HX-SHCS 0.164-32x0.25x0.25-S	2
5	TR24-POST	1
6	TR24-STEM	1
7	AS568 - 012	1
8	.497x.391x.02-PLSTC-WSHR	1
9	CR-PHMS 0.164-32x1.625x1-S	1



Union (Code: TR25)



ITEM NO.	PART NUMBER	QTY.
1	TR15-CRSS-HNDL-CAP	1
2	TR24-ESC	1
3	TR24-POST	1
4	TR24-STEM	1
5	CR-FHMS 0.164-32x1.5x1-S	1
6	AS568 - 012	1
7	.497x.391x.02-PLSTC-WSHR	1
8	TR15-CRSS-HNDL-BITM_R1	1



IMPORTANT INSTALLATION INFORMATION

- USE TEFLON TAPE OR PIPE SEALANT FOR THREADED CONNECTIONS
- DO NOT USE PLUMBER'S PUTTY ON ANY OF THE BRASS COMPONENTS
This will cause the finish to tarnish and void the warranty. A non-corrosive Alkoxy Silicone is recommended.
- DURING SWEATING OF LINES DO NOT OVERHEAT CASTING
Overheating may cause damage to internal mechanism
- COPPER ADAPTORS MAY BE REQUIRED TO COMPLETE YOUR INSTALLATION

For technical support, please call 718-257-2800

Rev. 1/1