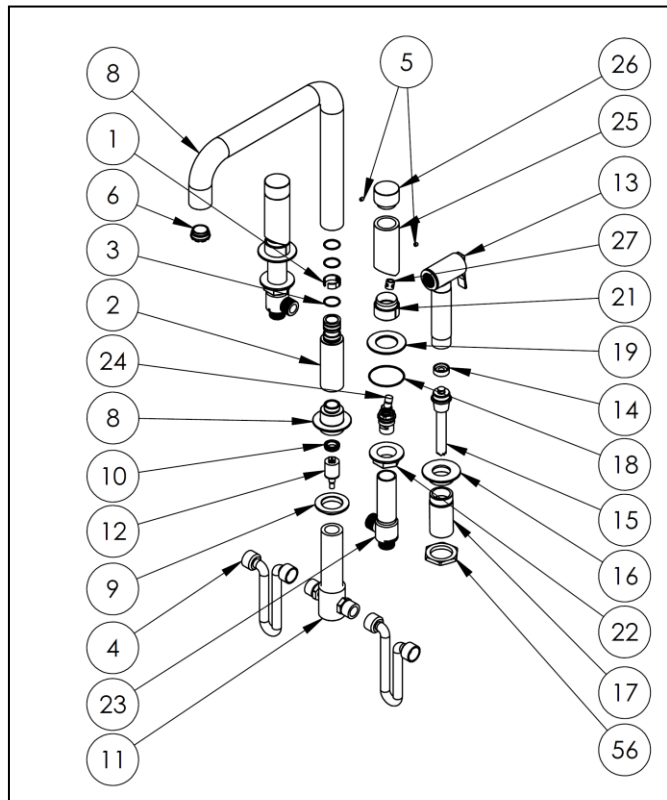
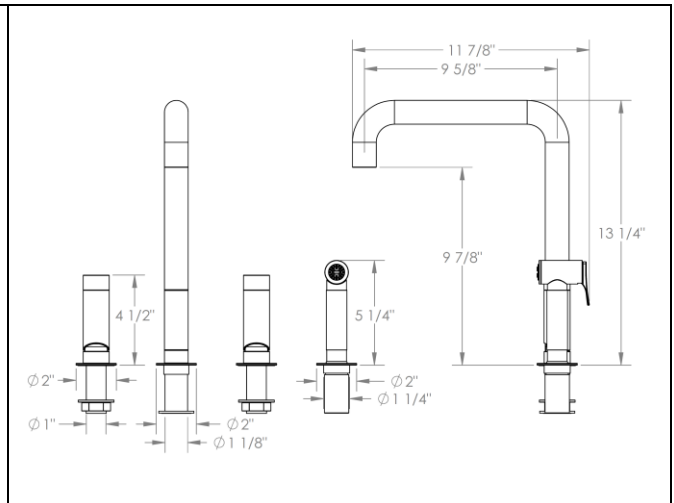
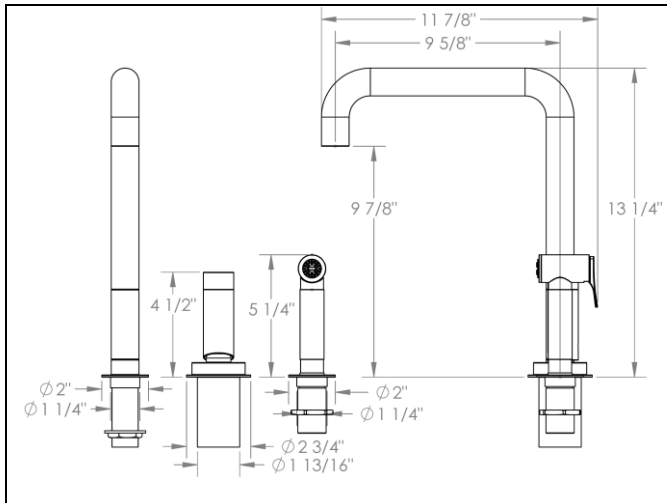
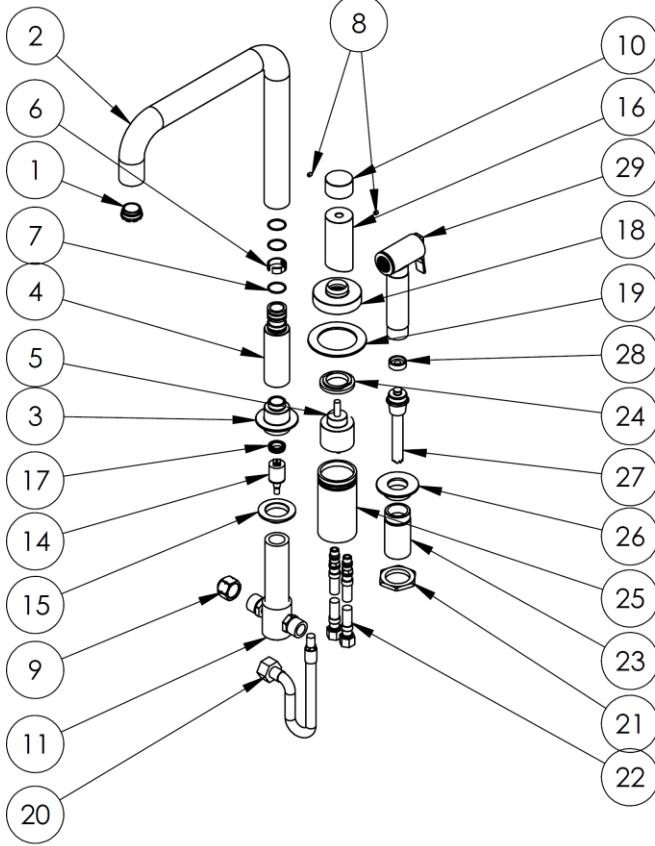


FEATURES

- RHL Trim: linear ceramic disc valve cartridges
- RHJ Trim: mixing ceramic disc valve cartridge
 - Note: This handle trim requires a $\varnothing 1\ 7/8"$ hole size in counter
- Flexible hose connections
- Flow rate 1.5 gpm (5.7 lpm) maximum faucet flow rate
- Solid brass construction
- Warranty:
 - Limited lifetime warranty (residential use)
 - One year (commercial use)
- Shipping weight (lbs.) 10
- Shipping dimensions (in.): 29x1



ITEM NO.	PART NUMBER	QTY.
1	RH-KITP-SWVL-PLSTC-BSHNG	1
2	RH-KITP-SPT-BASE-TOP	1
3	o-rings ai	3
4	SUPPLY HOSE	2
5	SSCUPSKT 0.164-32x0.1875-HX-N	3
6	NEOPERL CACHE AERATOR	1
8	RH-KIT-SPT	1
8	RH-KIT-SPT-BASE-OUTR	1
9	CENTERBODY LOCK NUT	1
10	952-CNTR-GSKT	1
11	952 CENTERBODY	1
12	952-MTL-DIV	1
13	RH-7-SPRAY	1
14	MSA4-HOSE-GSKT	1
15	MSA4-FLEX-HOSE	1
16	RH-MSA6-H BASE-OUTR	1
17	RH-MSA6-H-BASE-INNR	1
18	AS568 - 031	2
19	RHL-BASE-RING	2
20	MSA6-SPRY-BODY	1
21	RHL-HNDL-BASE	2
22	142-LOCK-NUT	2
23	SS-502 VALVE BODY	2
24	CRT-502L	2
25	RHL-LVR-BTTM	2
26	RHL-LVR-TOP	2
27	RHL-HNDL-ADAP	2
56	H-BS24-LOCK-NUT	1



ITEM NO.	PART NUMBER	QTY.
1	NEOPERL CACHE AERATOR	1
2	RH-KIT-SPT	1
3	RH-KIT-SPT-BASE-OUTR	1
4	RH-KITP-SPT-BASE-TOP	1
5	CRT-DMV1.3J	1
6	RH-KITP-SWVL-PLSTC-BSHNG	1
7	o-rings ai	3
8	SSCUPSKT 0.164-32x0.1875-HX-N	2
9	TEE-CAP	1
10	RHJ-LVR-TOP	1
11	952 CENTERBODY	1
12	952 CENTERBODY NIPPLE	1
13	952 CENTER BODY ADAPTER	2
14	952-MTL-DIV	1
15	CENTERBODY LOCK NUT	1
16	RHJ-LVR-BTTM	1
17	952-CNTR-GSKT	1
18	RHJ-ESC	1
19	RHJ-ESC-BASE	1
20	SPPLY-HOSE-0.5-14-NPS	1
21	H-BS24-LOCK-NUT	1
22	SPPLY-HOSE-3-8COMP	2
23	RH-MSA6-H-BASE-INNR	1
24	SS-DMV8.4-NUT	1
25	SS-DMV8.4-BODY	1
26	RH-MSA6-H BASE-OUTR	1
27	MSA4-FLEX-HOSE	1
28	MSA4-HOSE-GSKT	1
29	RH-7-SPRAY	1

IMPORTANT INSTALLATION INFORMATION

- USE TEFLON TAPE OR PIPE SEALANT FOR THREADED CONNECTIONS
- DO NOT USE PLUMBER’S PUTTY ON ANY OF THE BRASS COMPONENTS
This will cause the finish to tarnish and void the warranty. A non-corrosive Alkoxy Silicone is recommended.
- DURING SWEATING OF LINES DO NOT OVERHEAT CASTING
Overheating may cause damage to internal mechanism
- COPPER ADAPTORS MAY BE REQUIRED TO COMPLETE YOUR INSTALLATION

For technical support, please call 718-257-2800