



# 24 cu. ft. Side-by-Side Refrigerator

## WRS315SDH



Monochromatic Stainless Steel  
WRS315SDHM

### Also available in:

- White **WRS315SDHW**
- Black **WRS315SDHB**
- Biscuit **WRS315SDHT**
- Fingerprint-Resistant Stainless **WRS315SDHZ**

### Key Features & Benefits

#### Adjustable Gallon Door Bins

Move these adjustable bins anywhere in the door for increased loading flexibility when and where you need it.

#### LED Interior Lighting

Keep food looking as good as it tastes. Light is cast inside the refrigerator so food looks like it's supposed to.

#### Exterior Ice and Water Dispenser with EveryDrop® Water Filtration

Access fresh filtered water and ice without ever opening the refrigerator door.

### Capacity

Total Capacity	24 cu. ft.
Refrigerator Capacity	15 cu. ft.
Freezer Capacity	9 cu. ft.

### General Features & Properties

Hidden Hinges
Electronic Temperature Controls
Frameless Glass Shelves
Factory-Installed Icemaker
Adaptive Defrost
LED Dispenser Night-Light
Humidity-Controlled Crispers

#1 Selling Appliance Brand in the U.S.A.\*

### Electrical Details

Amps	15 or 20
Volts	115

### Technical Details

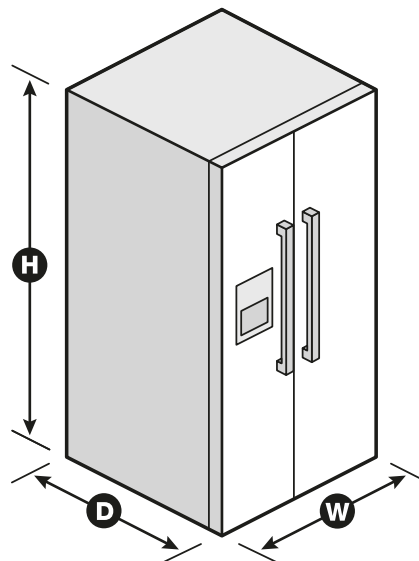
Refrigerator Type	Side-by-Side
Number of Doors	2
Number of Interior Refrigerator Shelves	4
Number of Refrigerator Door Bins	2 Fixed, 3 Adjustable
Number of Interior Freezer Shelves	3
Number of Freezer Door Bins	4 Fixed
Lighting Type	LED
Ice Maker	Factory Installed
Ice Maker Location	Freezer
Dispenser Type	Exterior Ice and Water

### Dimensions

Product Dimensions (H x W x D)	69-5/8" x 35-7/8" x 33-5/8"
Depth with Door Open 90°	49-5/16"
Cutout Dimensions	Allow extra 1/2" on sides and top Allow extra 1" on rear

### Reference Material

- [Dimension Guide](#)
- [Install Guide](#)
- [Energy Guide](#)
- [Warranty](#)



\*Based on 12-month average of unit sales. Refrigeration, Cooking, Dishwashers and Laundry appliances. TraQline 2018. NOTE: Dimensions are for planning purposes only. For complete details, see Installation Instructions packed with product. Specifications subject to change without notice. ®/™ © 2020. All rights reserved. Printed in the U.S.A. D200052XXC. WRS315SDHSPECSHEETV01.