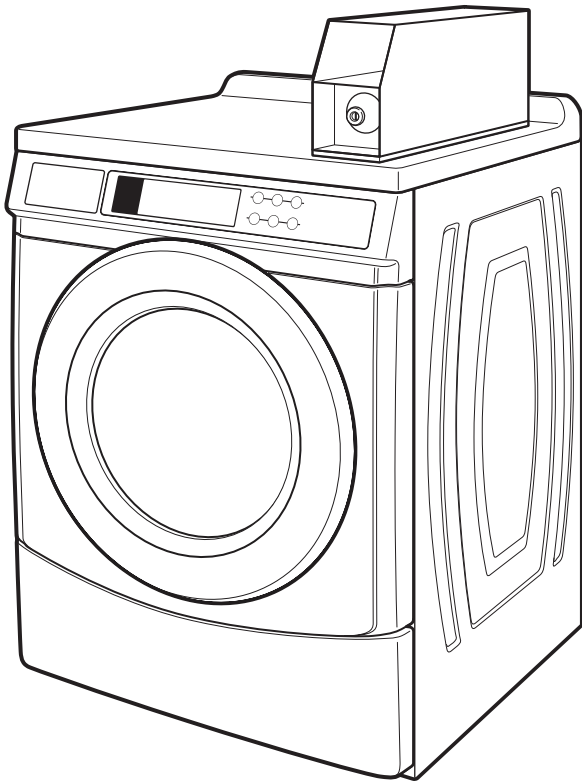




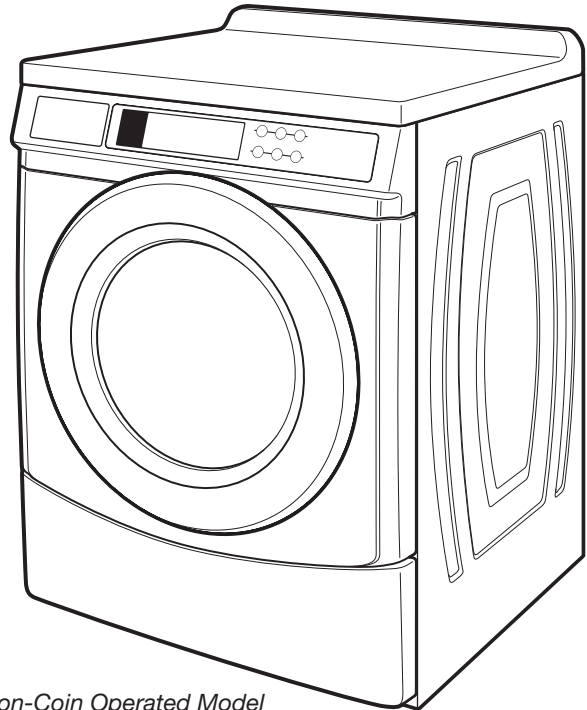
INSTALLATION INSTRUCTIONS COMMERCIAL FRONT-LOAD WASHER

INSTRUCTIONS D'INSTALLATION LAVEUSE COMMERCIALE À CHARGEMENT FRONTAL

Table of Contents/Table des matières 2



*Coin Operated Model
Modèle payant*



*Non-Coin Operated Model
Modèle non payant*

TABLE OF CONTENTS

| | |
|---|-----------|
| WASHER SAFETY | 3 |
| INSTALLATION REQUIREMENTS | 4 |
| Tools and Parts..... | 4 |
| Accessories | 4 |
| Options | 4 |
| Location Requirements | 5 |
| Drain System..... | 5 |
| Electrical Requirements..... | 6 |
| INSTALLATION INSTRUCTIONS | 6 |
| Remove Transport System..... | 6 |
| Connect the Inlet Hoses..... | 7 |
| Connect the Drain Hose..... | 8 |
| Secure the Drain Hose | 8 |
| Level the Washer..... | 9 |
| Complete Installation..... | 9 |
| USER & SET-UP INSTRUCTIONS | 10 |
| General User Information | 10 |
| Control Set-Up Procedures..... | 10 |
| Start Operating Setup | 11 |
| WASHER CARE | 14 |
| Cleaning Your Washer | 14 |
| Water Inlet Hoses | 14 |
| ASSISTANCE OR SERVICE | 14 |
| WARRANTY | 15 |

TABLE DES MATIÈRES

| | |
|---|-----------|
| SÉCURITÉ DE LA LAVEUSE | 16 |
| EXIGENCES D'INSTALLATION | 17 |
| Outillage et pièces..... | 17 |
| Accessoires | 17 |
| Options | 18 |
| Exigences d'emplacement..... | 18 |
| Système de vidange..... | 19 |
| Spécifications électriques | 19 |
| INSTRUCTIONS D'INSTALLATION | 20 |
| Dépose du système de transport..... | 20 |
| Raccordement des tuyaux d'alimentation..... | 21 |
| Raccordement du tuyau de vidange | 22 |
| Immobilisation du tuyau de vidange | 22 |
| Réglage de l'aplomb de la laveuse | 23 |
| Achever l'installation | 23 |
| INSTRUCTIONS D'UTILISATION ET D'INSTALLATION | 24 |
| Informations générales..... | 24 |
| Procédures de réglage des systèmes de commande..... | 24 |
| Paramétrage pour mise en marche..... | 25 |
| ENTRETIEN DE LA LAVEUSE | 29 |
| Nettoyage de la laveuse | 29 |
| Tuyaux d'arrivée d'eau | 30 |
| ASSISTANCE OU SERVICE | 30 |
| GARANTIE | 32 |

WASHER SAFETY

Your safety and the safety of others are very important.

We have provided many important safety messages in this manual and on your appliance. Always read and obey all safety messages.



This is the safety alert symbol.

This symbol alerts you to potential hazards that can kill or hurt you and others.

All safety messages will follow the safety alert symbol and either the word “DANGER” or “WARNING.”

These words mean:

⚠ DANGER

You can be killed or seriously injured if you don't immediately follow instructions.

⚠ WARNING

You can be killed or seriously injured if you don't follow instructions.

All safety messages will tell you what the potential hazard is, tell you how to reduce the chance of injury, and tell you what can happen if the instructions are not followed.

IMPORTANT SAFETY INSTRUCTIONS

WARNING: To reduce the risk of fire, electric shock, or injury to persons when using the washer, follow basic precautions, including the following:

- Read all instructions before using the washer.
- Do not wash articles that have been previously cleaned in, washed in, soaked in, or spotted with gasoline, dry-cleaning solvents, other flammable, or explosive substances as they give off vapors that could ignite or explode.
- Do not add gasoline, dry-cleaning solvents, or other flammable, or explosive substances to the wash water. These substances give off vapors that could ignite or explode.
- Under certain conditions, hydrogen gas may be produced in a hot water system that has not been used for 2 weeks or more. **HYDROGEN GAS IS EXPLOSIVE.** If the hot water system has not been used for such a period, before using the washing machine, turn on all hot water faucets and let the water flow from each for several minutes. This will release any accumulated hydrogen gas. As the gas is flammable, do not smoke or use an open flame during this time.
- Do not allow children to play on or in the washer. Close supervision of children is necessary when the washer is used near children.
- Before the washer is removed from service or discarded, remove the door or lid.
- Do not reach into the washer if the drum, tub or agitator is moving.
- Do not install or store the washer where it will be exposed to the weather.
- Do not tamper with controls.
- Do not repair or replace any part of the washer or attempt any servicing unless specifically recommended in this manual or in published user-repair instructions that you understand and have the skills to carry out.
- See “Electrical Requirements” for grounding instructions.

SAVE THESE INSTRUCTIONS

State of California Proposition 65 Warnings:

WARNING: This product contains one or more chemicals known to the State of California to cause cancer.

WARNING: This product contains one or more chemicals known to the State of California to cause birth defects or other reproductive harm.

INSTALLATION REQUIREMENTS

Tools and Parts

Gather the required tools and parts before starting installation. The parts supplied are in the washer drum.

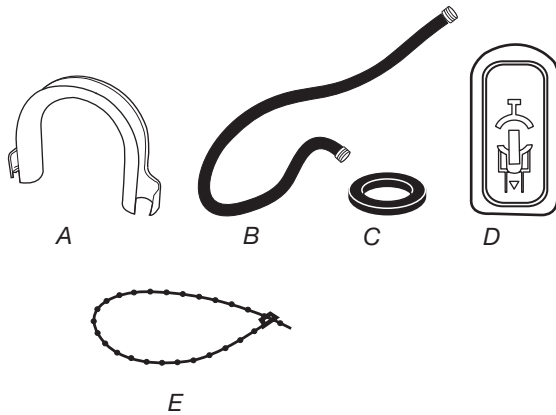
Tools needed for connecting the water inlet hoses:

- Pliers (that open to 1 $\frac{1}{16}$ " [39.5 mm])
- Flashlight (optional)

Tools needed for installation:

- Open-end wrenches 1/2" and 9/16"
- TORX® T20[†] security screwdriver
- 1/4" nut driver
- Level
- Wood block
- Ruler or measuring tape

Parts supplied:



- A. U-shaped hose form
- B. Water inlet hoses (2)
- C. Inlet hose washers (4)
- D. Transit bolt hole plug (4)
- E. Beaded tie strap

Alternate Parts

Your installation may require additional parts. If you are interested in purchasing one of the items listed here, call the toll-free number in "Accessories."

| If you have | You will need to buy |
|--|--|
| Laundry tub or standpipe taller than 96" (2.4 m) | Sump pump system (if not already available) |
| Overhead sewer | Standard 20 gal. (76 L), 30" (762 mm) tall drain tub or utility sink and sump pump (available from local plumbing suppliers) |
| Floor drain | Siphon break, Part Number 285834; additional drain hose, Part Number 8318155; and connector kit, Part Number 285835 |
| Drain hose too short | 4 ft (1.2 m) drain hose extension kit, Part Number 285863 |
| Water faucets beyond reach of fill hoses | 2 longer water fill hoses: 6 ft (1.8 m), Part Number 76314 10 ft (3.0 m), Part Number 350008 |

Accessories

Enhance your washer with these premium accessories.

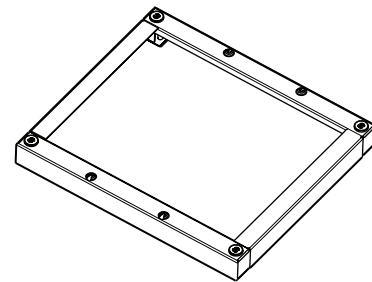
For more high-quality items or to order, call **1-866-698-2538**, or visit us at www.whirlpool.com/accessories. In Canada call: **1-800-688-2002** or visit us at www.whirlpoolparts.ca.

| Part Number | Accessory |
|----------------|-----------------------------------|
| 8212526 | Washer drip trays, fits under all |
| 31682 | All-purpose appliance cleaner |
| 1903WH | Laundry supply storage cart |

Options

Pedestal

You have the option of purchasing pedestals separately for this washer. The pedestal will add to the total height of the washer.



Optional pedestal

| Pedestal Height | Approximate Height with Washer | Color | Part Number |
|---------------------------|--------------------------------|-------|-------------|
| 2 $\frac{7}{8}$ " (73 mm) | 47 $\frac{1}{2}$ " (1207 mm)* | White | WHP0400VW |

*Add 5/8" (16 mm) minimum for leveling feet.

[†]@TORX and T20 are registered trademarks of Acument Intellectual Properties, LLC.

Location Requirements

Selecting the proper location for your washer improves performance and minimizes noise and possible washer “walk.” Your washer can be installed under a custom counter or in a basement, laundry room, or recessed area. See “Drain System.”

Companion appliance location requirements should also be considered. Proper installation is your responsibility.

You will need:

- A water heater set to deliver 120°F (49°C) water to the washer.
- A grounded electrical outlet located within 6 ft (1.8 m) of where the power cord is attached to the back of the washer. See “Electrical Requirements.”
- Hot and cold water taps located within 4 ft (1.2 m) of the hot and cold water fill valves, and water pressure of 20–100 psi (137.9–689.6 kPa).
- A level floor with a maximum slope of 1" (25 mm) under entire washer. Installing the washer on soft floor surfaces, such as carpets or surfaces with foam backing, is not recommended.
- A sturdy and solid floor to support the washer with a total weight (water and load) of 400 lbs (180 kg).

Do not operate your washer in temperatures below 32°F (0°C). Some water can remain in the washer and can cause damage in low temperatures.

Installation clearances

- The location must be large enough to allow the washer door to be fully opened.
- Additional spacing should be considered for ease of installation and servicing. The door opens more than 90° and is not reversible.
- Additional clearances might be required for wall, door, and floor moldings.
- Additional spacing of 1" (25 mm) on all sides of the washer is recommended to reduce noise transfer.
- Companion appliance spacing should also be considered.

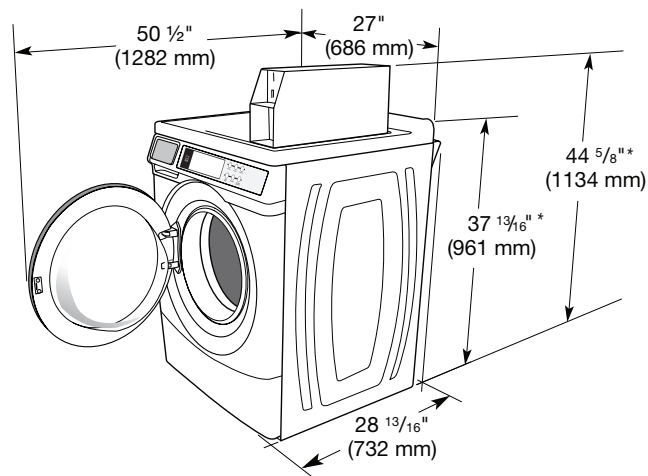
Recessed area installation

This washer may be installed in a recessed area. The installation dimensions shown are the minimum spaces allowable. Additional spacing should be considered for ease of installation and servicing. See the chart below.

Installation clearances (Use recommended clearance for easier installation.)

| | Recommended/Minimum | |
|-----------------------|------------------------|-------------------------|
| | Back/Top | Sides |
| Recessed/Undercounter | 0"/0" (0 mm)/(0 mm) | 1"/0" (25 mm)/(0 mm) |

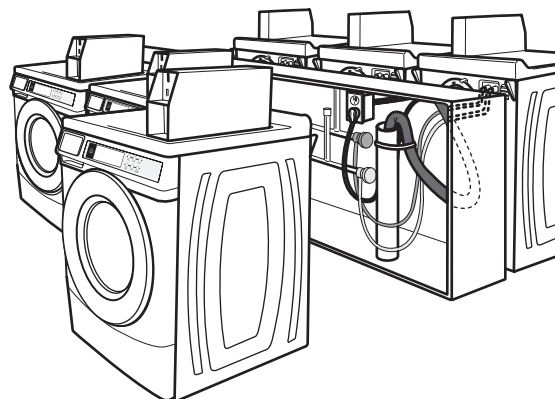
Washer Dimensions



*Height without leveling feet installed

NOTE: The door is not reversible.

A floor drain should be provided under the bulkhead. Prefabricated bulkheads with electrical outlets, water inlet lines, and drain facilities should be used only where local codes permit.



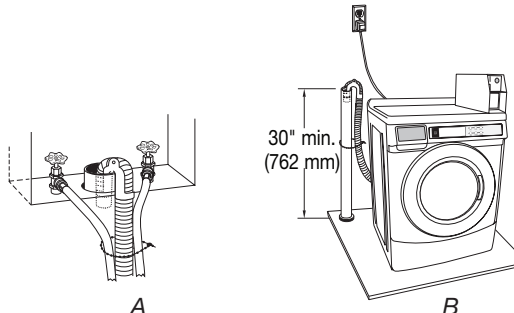
Drain System

The washer can be installed using the standpipe drain system (floor or wall), the laundry tub drain system, or the floor drain system. Select the drain hose installation method you need. See “Tools and Parts.”

Standpipe drain system – wall or floor (views A & B)

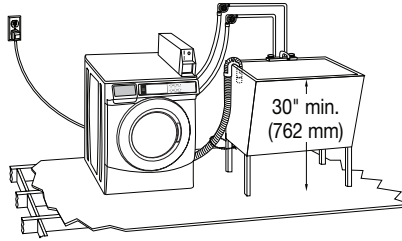
The standpipe drain requires a minimum diameter standpipe of 2" (50 mm). The minimum carry-away capacity can be no less than 12 gal. (45.5 L) per minute, per washer.

The top of the standpipe must be at least 30" (762 mm) high and no higher than 96" (2.4 m) from the bottom of the washer.



Laundry tub drain system

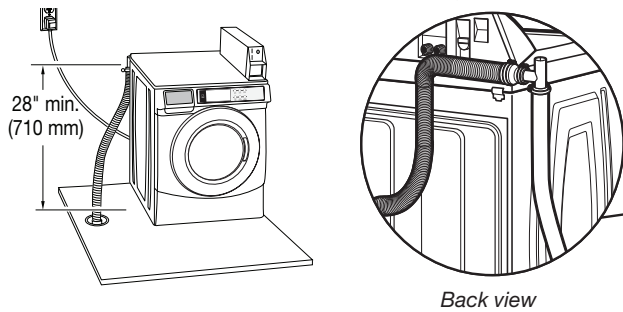
The laundry tub needs a minimum 20 gal. (76 L) capacity. The top of the laundry tub must be at least 30" (762 mm) above the floor.



Floor drain system

The floor drain system requires a siphon break that may be purchased separately. See "Tools and Parts."

The siphon break must be a minimum of 28" (710 mm) from the bottom of the washer. Additional hoses might be needed.



Electrical Requirements

⚠ WARNING



Electrical Shock Hazard

Plug into a grounded 3 prong outlet.

Do not remove ground prong.

Do not use an adapter.

Do not use an extension cord.

Failure to follow these instructions can result in death, fire, or electrical shock.

- A 120-volt, 60 Hz., AC-only, 15- or 20-amp, fused electrical supply is required. A time-delay fuse or circuit breaker is recommended. It is recommended that a separate circuit serving only this washer be provided.
- This washer is equipped with a power supply cord having a 3 prong grounding plug.
- To minimize possible shock hazard, the cord must be plugged into a mating, 3 prong, grounding-type outlet, grounded in accordance with local codes and ordinances. If a mating outlet is not available, it is the personal responsibility and obligation of the customer to have the properly grounded outlet installed by a qualified electrician.
- If codes permit and a separate ground wire is used, it is recommended that a qualified electrician determine that the ground path is adequate.
- Do not ground to a gas pipe.
- Check with a qualified electrician if you are not sure the washer is properly grounded.
- Do not have a fuse in the neutral or ground circuit.

GROUNDING INSTRUCTIONS

For a grounded, cord-connected washer:

This washer must be grounded. In the event of a malfunction or breakdown, grounding will reduce the risk of electrical shock by providing a path of least resistance for electric current. This washer is equipped with a cord having an equipment-grounding conductor and a grounding plug. The plug must be plugged into an appropriate outlet that is properly installed and grounded in accordance with all local codes and ordinances.

WARNING: Improper connection of the equipment-grounding conductor can result in a risk of electric shock. Check with a qualified electrician or serviceman if you are in doubt as to whether the appliance is properly grounded.

Do not modify the plug provided with the appliance – if it will not fit the outlet, have a proper outlet installed by a qualified electrician.

For a permanently connected washer:

This washer must be connected to a grounded metal, permanent wiring system, or an equipment grounding conductor must be run with the circuit conductors and connected to the equipment-grounding terminal or lead on the appliance.

INSTALLATION INSTRUCTIONS

Remove Transport System

⚠ WARNING

Excessive Weight Hazard

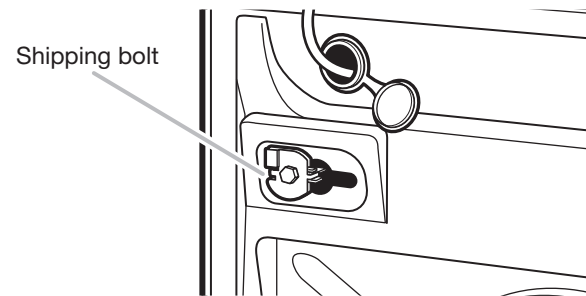
Use two or more people to move and install washer.

Failure to do so can result in back or other injury.

IMPORTANT: Position the washer so that the rear of the washer is within approximately 3 ft (900 mm) of its final location.

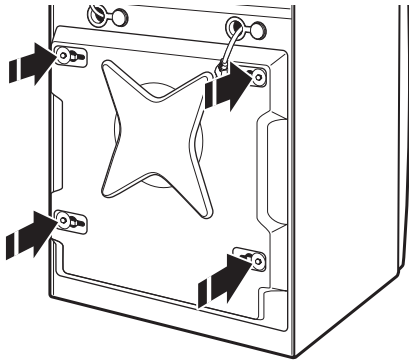
There are 4 shipping bolts in the rear panel of the washer that support the suspension system during transportation. These bolts also retain the power cord inside the washer until the bolts are removed.

1. Keep the washer in the upright position while removing the shipping bolts.

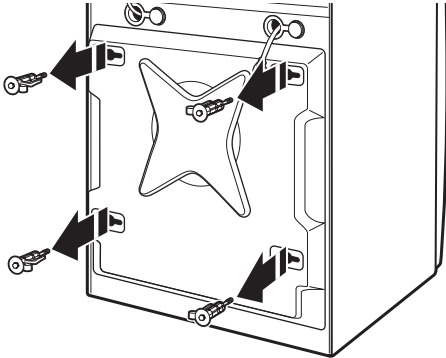


Shipping bolt with plastic spacer

2. Using a 1/2" wrench, loosen each of the bolts.



3. Once the bolt is loose, move it to the center of the hole and completely pull out the bolt, including the plastic spacer covering the bolt.



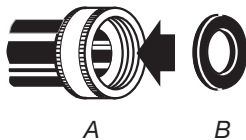
4. Once all 4 bolts are removed, discard the bolts and spacers. Push the power cord plug into the opening on the right side of the rear panel and pull the power cord through the opening on the left side of the rear panel; then close holes with the attached cap. Do not pull plug end of power cord through the right side hole.

5. Close the bolt holes with the 4 transport bolt hole plugs.

NOTE: If the washer is to be transported at a later date, call your product distributor or installer. To avoid suspension and structural damage, your washer must be properly set up for relocation by a trained professional.

Connect the Inlet Hoses

Insert new flat washers (supplied) into each end of the inlet hoses. Firmly seat the washers in the couplings.



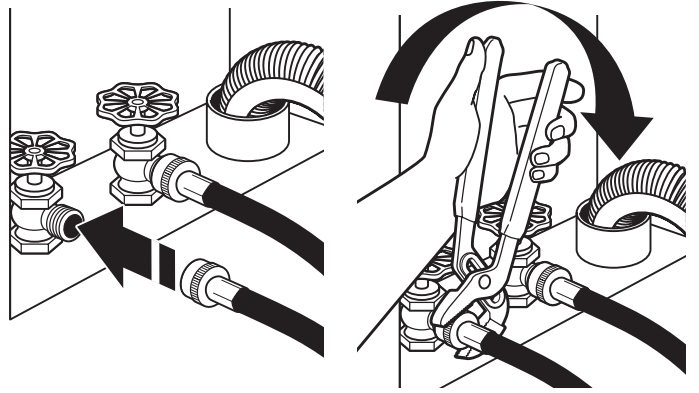
A. Coupling
B. Washer

Connect the inlet hoses to water faucets

Make sure the washer drum is empty.

1. Attach a hose to the hot water faucet. Screw on coupling by hand until it is seated on the washer.
2. Attach a hose to the cold water faucet. Screw on coupling by hand until it is seated on the washer.

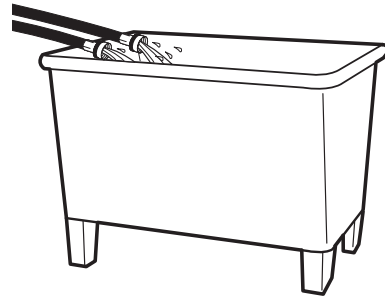
3. Using pliers, tighten the couplings with an additional two-thirds turn.



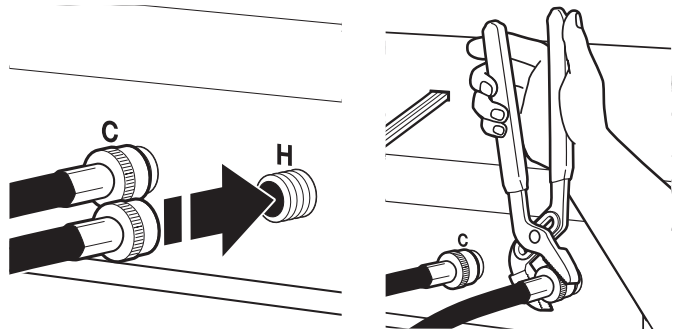
NOTE: Do not overtighten or use tape or sealants on the valve. Damage to the valves can result.

Clear water lines

- Run water through both faucets and inlet hoses, into a laundry tub, drainpipe, or bucket, to get rid of particles in the water lines that might clog the inlet valve screens.
- Check the temperature of the water to make sure that the hot water hose is connected to the hot water faucet and that the cold water hose is connected to the cold water faucet.



Connect the inlet hoses to the washer

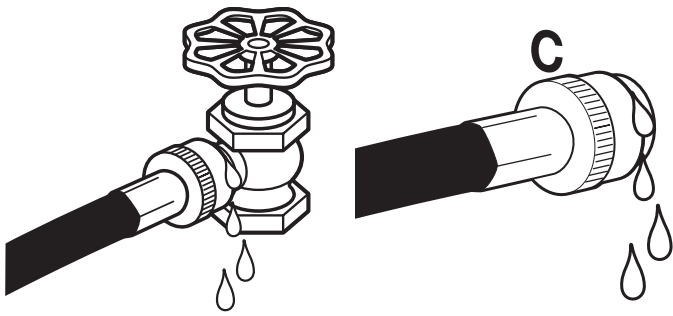


C. Cold water inlet
H. Hot water inlet

1. Attach the hot water hose to the check valve on washer's hot (H) water inlet valve. Screw on coupling by hand until it is seated on the check valve.
2. Attach the cold water hose to the check valve on washer's cold (C) water inlet valve. Screw on coupling by hand until it is seated on the check valve.
3. Using pliers, tighten the couplings with an additional two-thirds turn.

NOTE: Do not overtighten. Damage to the coupling can result.

- Turn on the water faucets completely and check for leaks at water faucets and washer connections.



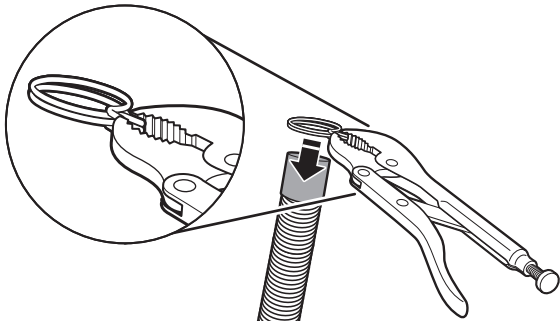
NOTE: Replace inlet hoses after 5 years of use to reduce the risk of hose failure. Record hose installation or replacement dates on the hoses for future reference.

Periodically inspect and replace hoses if bulges, kinks, cuts, wear, or leaks are found.

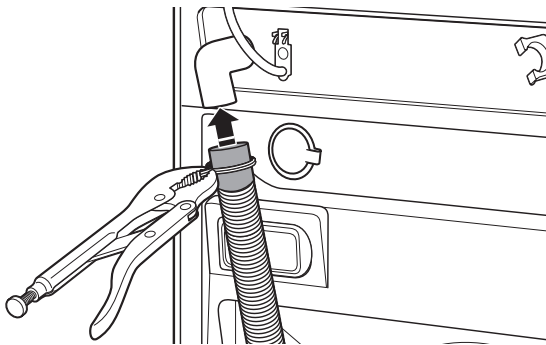
Connect the Drain Hose

Remove drain hose from washer drum

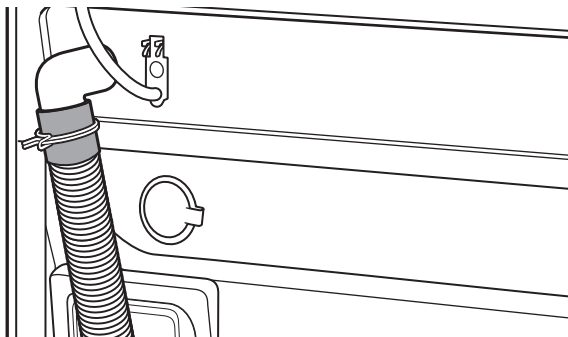
- Using locking pliers, squeeze hose clamp tabs together and insert over the end of drain hose.



- Slide drain hose onto washer connection.



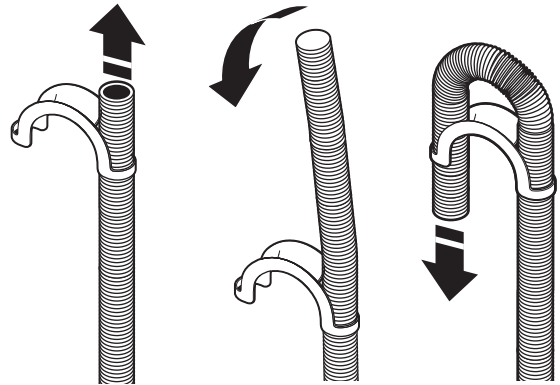
- Once drain hose is in place, release pliers.



Washer drain system can be installed using a floor drain, wall standpipe, floor standpipe, or laundry tub.

Laundry tub drain or standpipe drain

Connect the drain hose form to the corrugated drain hose.



To keep drain water from going back into the washer:

- Use the drain hose form and do not force excess drain hose into standpipe. Hose should be secure but loose enough to provide a gap for air.
- Do not lay excess hose on the bottom of the laundry tub.

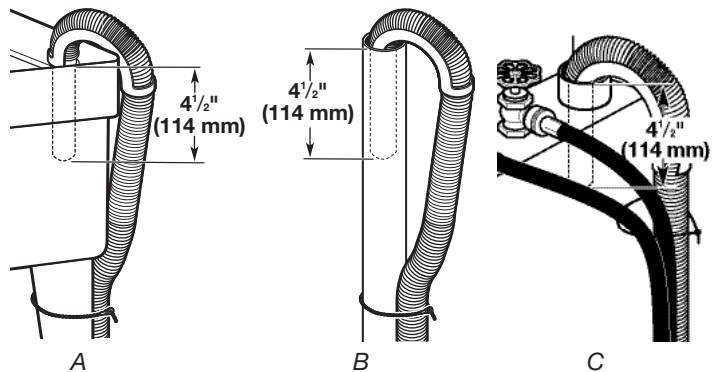
Floor drain

You may need additional parts. See "Floor drain" under "Tools and Parts."

Secure the Drain Hose

Drain hose must be secured to stop the hose from moving when water is pumped out. If the drain hose moves, water may end up on the floor.

- Drape the power cord over the washer top.
- Move the washer to its final location.
- Place the drain hose in the laundry tub or standpipe as shown. See illustrations A and B.



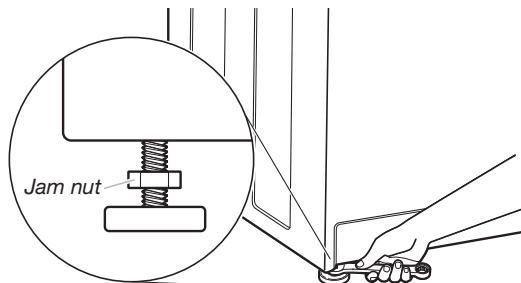
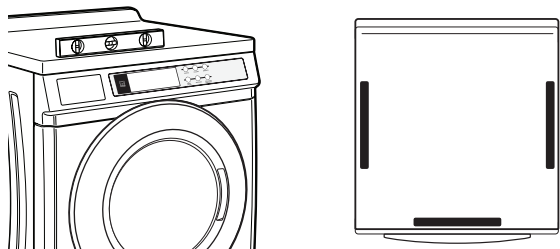
NOTES:

- Do not force excess drain hose back into the rear of the washer.
- To avoid siphoning, do not seal or put more than 4 1/2" (114 mm) of the drain hose into drainpipe or standpipe.
- If the washer faucets and the drain standpipe are recessed, put the hooked end of the drain hose in the standpipe as shown. See illustration C.
- It is the responsibility of the installer to install and secure the drain hose into the provided plumbing/drain in a manner that will avoid the drain hose coming out of, or leaking from, the plumbing/drain.

Level the Washer

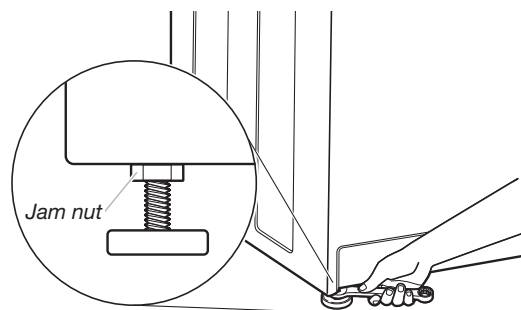
Properly leveling your washer avoids excessive noise and vibration.

1. Check the levelness of the washer by placing a level on the top edge of the washer, first side to side, then front to back.



If the washer is against a wall, move the washer out slightly before tipping back. If the washer is not level, first prop the front with a wood block and adjust the feet as necessary; then prop the back and adjust feet as necessary. Repeat this step until washer is level.

2. Make sure all 4 feet are stable and resting on the floor. Then check that the washer is perfectly level (use a level).
3. After the washer is level, use a 9/16" open-end wrench to turn the nuts on the feet tightly against the washer cabinet.



IMPORTANT: All 4 feet must be tightened. If the nuts are not tight against the washer cabinet, the washer may vibrate.

4. The washer should not move front to back, side to side, or diagonally when pushed on its top edges.
5. Slide the washer to its final location.
6. Confirm the levelness of the washer.

Complete Installation

1. Check the electrical requirements. Be sure that you have the correct electrical supply and the recommended grounding method. See "Electrical Requirements."
2. Check that all parts are now installed. If there is an extra part, go back through the steps to see which step was skipped.
3. Check that you have all of your tools.
4. Dispose of/recycle all packaging materials.
5. Check that the water faucets are on.
6. Check for leaks around faucets and inlet hoses.

⚠ WARNING



Electrical Shock Hazard

Plug into a grounded 3 prong outlet.

Do not remove ground prong.

Do not use an adapter.

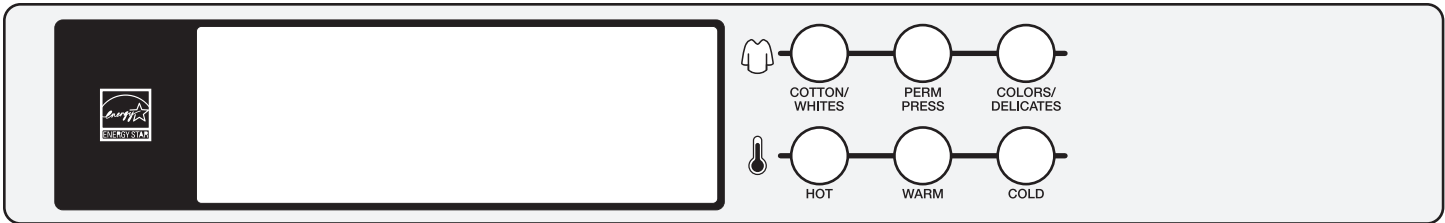
Do not use an extension cord.

Failure to follow these instructions can result in death, fire, or electrical shock.

7. Plug into a grounded 3 prong outlet.
8. To test and clean your washer, measure ½ of the detergent manufacturer's recommended amount of High Efficiency (HE) detergent for a medium-size load. Pour the detergent into the detergent dispenser. Select any cycle and allow the washer to complete one whole cycle.



USER & SET-UP INSTRUCTIONS



NOTE: After the washer has been installed and plugged in, the display may show '0 MINUTES'. Once the washer has been plugged in and the washer door opened and closed, the display will show the price. In washers set for free cycles, the display will flash 'SELECT CYCLE'.

1. Insert coins until 'SELECT CYCLE' flashes in display.
2. Door must be closed before cycle selection is made,
3. Press fabric setting button for the wash cycle desired. After the cycle is started, the time will display and count down.
4. If a cycle is interrupted by opening the door, 'RESELECT CYCLE' will flash in the display. To restart the washer, close door and reselect desired cycle.

General User Information

SCROLLING 'OUT OF ORDER' SHOWING IN DISPLAY

This condition indicates the washer is inoperative.

'0 MINUTES' SHOWING IN DISPLAY

This indicates the cycle is complete and the washer cannot be operated. Coins dropped or debit inputs during this condition will be stored in escrow but cannot be used until normal operation is restored by opening and closing the door. If a door switch fails, it must be replaced before normal operation can be restored.

COLD START (Initial first use)

Washer is programmed at the factory as follows:

- 11-minute wash period
- 3 rinses (extra rinse not enabled)
- \$2.00 wash price (9150 model)
- \$0 wash price (9160 model)

WARM START (after power failure)

A few seconds after power is restored, if a cycle was in progress at the time of the power failure, 'RESELECT CYCLE' will flash in the display, indicating the need for a button press to restart the washer.

DOOR LOCK

Prior to beginning a cycle, there is a door lock routine of lock/unlock/relock; then the cycle begins. The door will remain locked until the end of a cycle or approximately 2 minutes after a power interruption.

PRICING

After the door is opened following the completion of a cycle, the display indicates the cycle price (unless set for free operation). As coins are dropped or debit inputs arrive, the display will change to lead the user through the initiation of a cycle.

FREE CYCLES

This is established by setting the cycle price to zero. When this happens, 'SELECT CYCLE' will appear rather than a cycle price.

DEBIT CARD READY

This washer is debit card 'cable' ready. It will accept a variety of debit card systems but does NOT come with a debit card reader. Refer to the debit card reader manufacturer for proper washer setup. In models converted to a Generation 1 debit card system, debit pulses represent the equivalent of one coin (coin 1).

Control Set-Up Procedures

⚠ WARNING



Electrical Shock Hazard

Disconnect power before servicing.

Replace all parts and panels before operating.

Failure to do so can result in death or electrical shock.

IMPORTANT: Read all instructions before operating.

9150 Models: Insert access door key, turn, and lift to remove access door.

9160 Models: Once the debit card reader is installed (according to the reader manufacturer's instructions), the set-up mode can only be entered by inserting a set-up card (supplied by the reader manufacturer) into the card slot. If a set-up card is not available, diagnostic modes can be entered by removing connector AA1 on the circuit board or by using the Service Access Code (see "Service Access Code" section, page 13) for 9160 models.

IMPORTANT: Unplug washer or disconnect power before opening the console. To access connector AA1:

1. Unplug washer or disconnect power.
2. Open console, disconnect plug on AA1, and close console.
3. Plug in washer or reconnect power.

The washer is now in the set-up mode. The lower 3 buttons and the digital display are used to set up the controls. The display can contain 4 numbers and/or letters and a decimal point. These are used to indicate the set-up codes and related code values available for use in programming the washer.

Once the washer has been programmed with a Generation 2 card reader installed, the washer will be in dAS mode permanently and dAS will be displayed every time set-up mode is accessed.

The lower fabric setting buttons and the digital display are used to set up the controls.

The display can contain 4 numbers and/or letters and a decimal point. These are used to indicate the set-up codes and related code values available for use in programming the washer.

HOW TO USE THE BUTTONS TO PROGRAM THE CONTROLS

1. The Hot button is used to adjust the values associated with set-up codes. Pressing the button will change the value by increments. Rapid adjustment is possible by holding down the button.
2. The Warm button will advance through the set-up codes. Pressing the button will advance to the next available set-up code. Holding the button down will automatically advance through the set-up codes at a rate of 1 per second.
3. The Cold button is used to select or deselect options.

Start Operating Setup

Before proceeding, it is worth noting that, despite all of the options available, an owner can simply choose to uncrate a new commercial washer, hook it up, plug it in, and have a washer that operates.

Washers are preset at the factory for an 11-minute wash period and 3 rinses (no extra rinse).

SET-UP CODES

- The WARM button will advance you from code to code.
- The HOT button will change the code value.
- The COLD button will select or deselect options.

The set-up code is indicated by the one or two left-hand characters. The set-up code value is indicated by the two or three right-hand characters.

NOTE: The first line of each code indicates the factory default for 9150 models.

| CODE | EXPLANATION |
|-------|---|
| 6. 08 | REGULAR CYCLE PRICE (Factory Default) |
| 6. 08 | When the d.xx is set to d.00, this 6.xx value represents the number of coins needed to start the washer; may adjust from 0–39. Change this value by pressing the HOT button. 6.08 = 8 coins. 9160 models default to 6.00. |
| 6. 01 | When the d.xx is set to d. CS, this 6.xx value represents the number of push-in actuations of the coin slide to start the washer. 6.01 would equal one coin slide activation. |
| → | Press the WARM button once to advance to next code. |
| 7. 11 | WASH LENGTH |
| 7. 11 | This is the number of minutes for WASH. Washer comes from the factory preset with 11 minutes. Choose from 9–17 minutes by pressing the HOT button. |
| → | Press the WARM button once to advance to next code. |
| 8. 00 | ADDITIONAL RINSE OPTION This option is either SELECTED 'ON' or NOT SELECTED 'OFF'. |
| 8. 00 | Not Selected 'OFF'. |
| 8. Ar | Selected 'ON'. |
| → | Press the COLD button once for this selection. Press the WARM button once to advance to next code. |
| 9. 00 | CYCLE COUNTER OPTION This option is either SELECTED 'ON' or NOT SELECTED 'OFF'. |
| 9. 00 | Not Selected 'OFF'. |
| 9. 0C | Selected 'ON' and not able to be deselected. |
| → | Press the COLD button 3 consecutive times to select 'ON'. Once selected 'ON,' it cannot be deselected. Press the WARM button once to advance to next code. |
| 1. 00 | MONEY COUNTER OPTION This option is either SELECTED 'ON' or NOT SELECTED 'OFF'. |

| CODE | EXPLANATION |
|---|---|
| 1. 00 | Not Selected 'OFF'. |
| 1. 0C | Selected 'ON'. |
| → | Press the COLD button three consecutive times to select 'ON' and three consecutive times to remove (Not Selected 'OFF'). Counter resets by going from 'OFF' to 'ON'. |
| 1. C0 | Selected 'ON' and not able to be deselected. |
| → | To select 'ON' and not able to be deselected, first select 'ON', then within two seconds, press the COLD button twice, HOT once, and exit the set-up mode. Press the WARM button once to advance to next code. |
| 2. 00 | SPECIAL PRICING OPTIONS This option is either SELECTED 'ON' or NOT SELECTED 'OFF'. |
| 2. 00 | Not Selected 'OFF'. |
| 2. SP | Selected 'ON'. Press the COLD button once for this selection. |
| → | If SPECIAL PRICING OPTION is selected, there is access to codes '3.' thru '9.' Press the WARM button once to advance to next code. |
| OPTIONS TO USE IF SPECIAL PRICING IS SELECTED: | |
| 3. 08 | SPECIAL CYCLE PRICE |
| 3. 08 | Represents the number of quarters (coin 1) needed to start the washer; may adjust from 0–39. (See b.xx setup for VALUE OF COIN 1.) Advance from 0–39 by pressing HOT. Factory default of 8 quarters = \$2.00. |
| 3. 00 | Model 9160: Factory default of 0 quarters. |
| → | Press the WARM button once to advance to next code. |
| 5. 00 | TIME-OF-DAY CLOCK, MINUTES |
| 5. 00 | This is the TIME-OF-DAY CLOCK, minute setting; select 0–59 minutes by pressing the HOT button. |
| → | Press the WARM button once to advance to next code. |
| 6. 00 | TIME-OF-DAY CLOCK, HOURS NOTE: Uses military time – 24 hr. clock. |
| 6. 00 | This is the TIME-OF-DAY CLOCK, hour setting; select 0–23 hours by pressing the HOT button. |
| → | Press the WARM button once to advance to next code. |
| 7. 00 | SPECIAL PRICE START HOUR NOTE: Uses military time – 24 hr. clock. |
| 7. 00 | This is the start hour; select 0–23 hours. Select START HOUR by pressing the HOT button. |
| → | Press the WARM button once to advance to next code. |
| 8. 00 | SPECIAL PRICE STOP HOUR NOTE: Uses military time – 24 hr. clock. |
| 8. 00 | This is the stop hour; select 0–23 hours. Select STOP HOUR by pressing the HOT button. |
| → | Press the WARM button once to advance to next code. |

| CODE | EXPLANATION | | | | | | | | | | | | | | | | | | | | | | | | |
|---------|---|-----------------|-------------|-----------------|----|---------------|----|----|----------------|----|----|-----------------|----|----|-------------------|----|----|------------------|----|----|----------------|----|----|------------------|----|
| 9. 10 | SPECIAL PRICE DAY | | | | | | | | | | | | | | | | | | | | | | | | |
| 9. 10 | This represents the day of the week and whether special pricing is selected for that day. A number followed by '0' indicates no selection for that particular day (9.10). A number followed by an 'S' indicates selected for that day (9.1S). Day of week (1-7) can be chosen by pressing the HOT button. Press the COLD button once to select special pricing for each day chosen. When exiting set-up code '9.', the display must show current day of week: | | | | | | | | | | | | | | | | | | | | | | | | |
| | <table border="1"> <thead> <tr> <th>DISPLAY</th> <th>DAY OF WEEK</th> <th>CODE (selected)</th> </tr> </thead> <tbody> <tr> <td>10</td> <td>Day 1= Sunday</td> <td>1S</td> </tr> <tr> <td>20</td> <td>Day 2 = Monday</td> <td>2S</td> </tr> <tr> <td>30</td> <td>Day 3 = Tuesday</td> <td>3S</td> </tr> <tr> <td>40</td> <td>Day 4 = Wednesday</td> <td>4S</td> </tr> <tr> <td>50</td> <td>Day 5 = Thursday</td> <td>5S</td> </tr> <tr> <td>60</td> <td>Day 6 = Friday</td> <td>6S</td> </tr> <tr> <td>70</td> <td>Day 7 = Saturday</td> <td>7S</td> </tr> </tbody> </table> | DISPLAY | DAY OF WEEK | CODE (selected) | 10 | Day 1= Sunday | 1S | 20 | Day 2 = Monday | 2S | 30 | Day 3 = Tuesday | 3S | 40 | Day 4 = Wednesday | 4S | 50 | Day 5 = Thursday | 5S | 60 | Day 6 = Friday | 6S | 70 | Day 7 = Saturday | 7S |
| DISPLAY | DAY OF WEEK | CODE (selected) | | | | | | | | | | | | | | | | | | | | | | | |
| 10 | Day 1= Sunday | 1S | | | | | | | | | | | | | | | | | | | | | | | |
| 20 | Day 2 = Monday | 2S | | | | | | | | | | | | | | | | | | | | | | | |
| 30 | Day 3 = Tuesday | 3S | | | | | | | | | | | | | | | | | | | | | | | |
| 40 | Day 4 = Wednesday | 4S | | | | | | | | | | | | | | | | | | | | | | | |
| 50 | Day 5 = Thursday | 5S | | | | | | | | | | | | | | | | | | | | | | | |
| 60 | Day 6 = Friday | 6S | | | | | | | | | | | | | | | | | | | | | | | |
| 70 | Day 7 = Saturday | 7S | | | | | | | | | | | | | | | | | | | | | | | |
| → | Press the WARM button once to advance to next code. | | | | | | | | | | | | | | | | | | | | | | | | |
| A. 00 | VAULT VIEWING OPTION This option is either SELECTED 'ON' or NOT SELECTED 'OFF'. | | | | | | | | | | | | | | | | | | | | | | | | |
| A. 00 | Not Selected 'OFF'. | | | | | | | | | | | | | | | | | | | | | | | | |
| A. SC | Selected 'ON'. Press the COLD button once for this selection. When selected, the money and/or cycle counts will be viewable (if counting is selected) when the coin box is removed. | | | | | | | | | | | | | | | | | | | | | | | | |
| → | Press the WARM button once to advance to next code. | | | | | | | | | | | | | | | | | | | | | | | | |
| b. 40 | VALUE OF COIN 1 | | | | | | | | | | | | | | | | | | | | | | | | |
| b. 05 | This represents the value of coin 1 in number of nickels: 05 = \$0.25. By pressing the HOT button, there is an option of 1-199 nickels. With coin slide activation, this represents the total vend price in nickels. Example: b.40 is equal to \$2.00. | | | | | | | | | | | | | | | | | | | | | | | | |
| → | Press the WARM button once to advance to next code. | | | | | | | | | | | | | | | | | | | | | | | | |
| C. 20 | VALUE OF COIN 2 | | | | | | | | | | | | | | | | | | | | | | | | |
| C. 20 | This represents the value of coin 2 in number of nickels: 20 = \$1.00. | | | | | | | | | | | | | | | | | | | | | | | | |
| C. 05 | By pressing the HOT button, there is the option of 1-199 nickels. | | | | | | | | | | | | | | | | | | | | | | | | |
| → | Press the WARM button once to advance to next code. | | | | | | | | | | | | | | | | | | | | | | | | |
| d. 00 | COIN SLIDE OPTION This option is either SELECTED 'ON' or NOT SELECTED 'OFF'. Replacement of meter case will be needed for coin slide mounting. | | | | | | | | | | | | | | | | | | | | | | | | |
| d. 00 | Not Selected 'OFF'. | | | | | | | | | | | | | | | | | | | | | | | | |

| CODE | EXPLANATION |
|-------|---|
| d. CS | Selected 'ON'. NOTE: This option needs to be set to '00' unless the meter case has been changed to accept a coin slide device. Press the COLD button 3 consecutive times for this selection. When coin slide mode is selected, set 'b.' equal to value of vend price in nickels. Set '6 XX' (REGULAR CYCLE PRICE) and '3.XX' (SPECIAL CYCLE PRICE) to number of slide operations. NOTE: If the installer sets up 'CS' on a coin drop model, the washer will not register coins inserted. |
| → | Press the WARM button once to advance to next code. |
| E. 00 | ADD COINS OPTION This option is either SELECTED 'ON' or NOT SELECTED 'OFF'. This option causes the customer display to show the number of coins (coin 1) to enter, rather than the dollars-and-cents amount. |
| E. 00 | Not Selected 'OFF'. |
| E. AC | Selected 'ON'. Press the COLD button 3 consecutive times for this selection. PR MODELS ONLY: In enhanced debit mode, this option is not selectable. |
| → | Press the WARM button once to advance to next code. |
| F. 00 | ENHANCED PRICING OPTION |
| F. 00 | Not Selected 'OFF'. |
| F. SU | Super Cycle pricing enabled. This option allows customers to upgrade cycles by depositing extra money. Set-up codes 'H.' and 'h.' will be displayed only when this option is enabled. Press the COLD button for this selection. |
| → | Press the WARM button once to advance to next code. |
| H. 01 | SUPER CYCLE UPGRADE PRICE (Skipped unless Super Cycle pricing is enabled.) |
| H. 01 | This represents the number of coin 1 required to upgrade a base cycle to a Super Cycle. Advance from 0-33 by pressing the HOT button. |
| → | Press the WARM button once to advance to next code. |
| h. 01 | SUPER CYCLE TYPE (Skipped, unless Super Cycle pricing is enabled.) |
| h. 01 | This represents the Super Cycle upgrade option. Press the HOT button to step through upgrade options 1 through 3 as follows: 01 – enhanced wash, extra 3 minutes of wash tumble in addition to the programmed wash time. 02 – extra rinse for all cycles. 03 – both 01 and 02. |
| → | Press the WARM button once to advance to next code. |

| CODE | EXPLANATION |
|--------|---|
| J. Cd | COIN/DEBIT OPTION |
| J. Cd | Both coin and debit selected. Press the COLD button 3 consecutive times for this selection (default for 9150 models). |
| J. C_ | Coins selected, debit disabled. Press the COLD button 3 consecutive times for this selection. |
| J. _d | Debit card selected, coins disabled. Press the COLD button 3 consecutive times for this selection (default for 9160 models). |
| J. Ed | Enhanced Debit is self-selected when a Generation 2 card reader is installed in the washer. The Ed option cannot be manually selected or deselected. → Press the WARM button once to advance to next code. |
| L. 00 | PRICE SUPPRESSION OPTION This option is either SELECTED 'ON' or NOT SELECTED 'OFF'. This option causes the customer display to show 'AVAILABLE' or 'ADD' rather than the amount of money to add (used mainly in debit installations). |
| L. 00 | Not Selected 'OFF'. |
| L. PS | Selected 'ON'. Press the COLD button once for this selection. → Press the WARM button once to advance to next code. |
| n. CE | CLEAR ESCROW OPTION When selected, money held in escrow for 30 minutes without further escrow or cycle activity will be cleared. |
| n. 00 | Not Selected 'OFF'. |
| n. CE | Selected 'ON'. Press the COLD button once for this selection. → Press the WARM button once to advance to next code. |
| U. 00 | PENNY INCREMENT OFFSET |
| U. 00 | This represents the penny increment price offset used with Generation 2 (Enhanced Debit) card readers. Choose from 0–4 pennies by pressing the HOT button. → Press the WARM button once to advance to next code. |
| A1. 00 | PREWASH LENGTH |
| A1. 00 | This is the number of minutes of PREWASH. Choose 0 to disable the prewash or select between 2 and 7 minutes by pressing the HOT button. → Press the WARM button once to advance to next code. |

If cycle counter (9 0C) is selected, the following is true:

| | | |
|--------------|---|------------|
| 1 00 | Represents the number of cycles in HUNDREDS | 1 02 = 200 |
| 2 00 | Represents the number of cycles in ONES | 2 25 = 25 |
| TOTAL CYCLES | | = 225 |

This is "VIEW ONLY" and cannot be cleared.
Press the WARM button once to advance to next code.

If money counter (1.0C or 1.C0) is selected, the following is true:

| | | |
|-------|-------------------------------|-----------------|
| 3 00 | Number of dollars in HUNDREDS | 3 01 = \$100.00 |
| 4 00 | Number of dollars in ONES | 4 68 = \$ 68.00 |
| 5 00 | Number of CENTS | 5 75 = \$.75 |
| TOTAL | | = \$168.75 |

END OF SET-UP PROCEDURES

EXIT FROM SET-UP MODE

CHW9150 Models:
Reinstall access door.

CHW9160 Models:

1. Unplug washer or disconnect power.
2. Open console, reinsert plug into AA1, and close console.
3. Plug in washer or reconnect power.

MODEL CHW9150 SET UP AS PN WITH PROGRAMMING SWITCH:

Turn key clockwise and remove.

MODEL CHW9160 SET UP AS PN WITHOUT PROGRAMMING SWITCH:

Set-up mode can be exited by using procedures from "Service Access Code."

SERVICE ACCESS CODE

This code can be entered to access service mode without removing the console. It only functions on washers set up for 0 vend price without any Special Pricing setup, and the Coin/Debit Option must be set to "J._d". If the washer is not in failure mode, the door must be opened to proceed. Service Access Code contains 4 steps. Perform the following steps:

1. Press the upper left button.
2. Press the lower right button.
3. Press the upper right button.
4. Press the lower left button.

NOTE: If the Service Access Code procedure is not completed properly, as noted above, there is a 15-second delay before it can be attempted again.

There are 3 options to exit from the Service Mode:

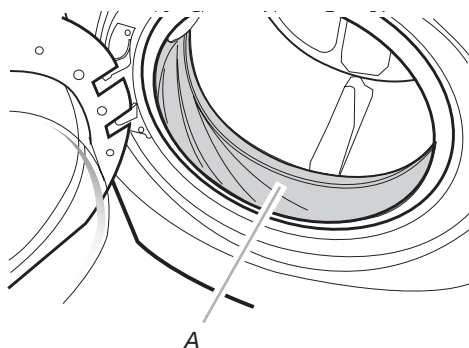
1. From Set-up Code 8, press button #1 for 4 seconds.
2. Wait 2 minutes without touching any buttons (without diagnostic modes running).
3. Power down the washer; then reapply power.

WASHER CARE

Cleaning Your Washer

Cleaning the Door Seal/Bellow

1. Open the washer door and remove any clothing or items from the washer.
2. Inspect inner glass door. If debris is present, wipe off debris using damp cloth.
3. Inspect the colored seal/bellow between the door opening and the drum for stained areas. Pull back the seal/bellow to inspect all areas under the seal/bellow and to check for foreign objects.



A. Seal/Bellow

4. If stained areas are found, wipe down these areas of the seal/bellow using the procedure that follows:
 - a) Mix a dilute solution, using 3/4 cup (177 mL) of liquid chlorine bleach, and 1 gal. (3.8 L) of warm tap water.
 - b) Wipe the seal/bellow area with the dilute solution, using a damp cloth.
 - c) Let stand 5 minutes.
 - d) Wipe down area thoroughly with a dry cloth and let the washer interior air dry with door open.

IMPORTANT:

- Wear rubber gloves when cleaning for prolonged periods.
- Refer to the bleach manufacturer's instructions for proper use.

Washer Maintenance Procedure

This washer has a special cycle that uses higher water volumes in combination with liquid chlorine bleach to thoroughly clean the inside of the washer.

NOTES:

- Read these instructions completely before beginning the cleaning process.
- If necessary, the cleaning cycle may be interrupted by pressing the COLD button twice. However, this will not immediately stop the cycle. The washer will continue with several rinse and drain steps to ensure that all remaining bleach is rinsed from the washer.

Begin procedure

1. Open the washer door and remove any clothing or items from the washer.
2. **Use liquid chlorine bleach:**
Open the dispenser drawer and immediately add 2/3 cup (160 mL) of liquid chlorine bleach to the bleach compartment.
NOTE: Do not add any detergent to this cycle. Use of more than 2/3 cup (160 mL) of bleach will cause product damage over time.
3. Close the washer door and the dispenser drawer.

4. To start the Clean Washer cycle, first enter "Start Operating Set-up." Then press and hold COLD for 1 second. With the entire display flashing, press COLORS/DELICATES.

NOTE: The drum will rotate, then the door will unlock, lock again, and then the cycle will continue.

- The washer will not fill, but the drum will rotate while the washer runs a short sensing cycle. This will take approximately 3 minutes.
5. The cycle will determine whether clothing or other items are in the washer.
 - a) If no items are detected in the washer, it will proceed to Step 7.
 - b) If any items are detected in the washer, "rL" or "F-34" will be displayed. Then the door will unlock.
 - Press COLD to cancel the failure code. Then repeat steps 1, 3, and 4 to start the cycle again.
 6. Once the cycle has begun, allow the cycle to complete.
 7. After the cycle is complete, leave the door open slightly to allow for better ventilation and drying of washer interior.

Always do the following to maintain washer freshness:

- Use only "HE" High Efficiency detergent.
- Leave the door slightly open after each cycle to allow for better ventilation and drying of washer interior.
- Clean the washer monthly using the Washer Maintenance Procedure and 2/3 cup (160 mL) of liquid chlorine bleach.
- If the procedure does not sufficiently improve the washer freshness, please evaluate your installation and usage conditions for other causes.

Cleaning the exterior

Use a soft damp cloth or sponge to wipe up any spills. Occasionally wipe the outside of your washer to keep it looking new. Use mild soap and water. Do not use abrasive products.

Cleaning the dispenser drawer

The dispenser drawer is removable for easy cleaning.

1. Unlock the dispenser drawer by pressing the Release Lever. Remove the drawer.
2. Remove the inserts (the siphon from the softener and bleach compartments).
3. Wash the parts under running water.
NOTE: Do not wash components in the dishwasher.
4. Re-install the inserts and return the dispenser to the drawer.

Water Inlet Hoses

Replace water inlet hoses after 5 years of use to reduce the risk of hose failure. Periodically inspect and replace water inlet hoses if bulges, kinks, cuts, wear, or leaks are found.

When replacing your water inlet hoses, mark the date of replacement on the label with a permanent marker.

ASSISTANCE OR SERVICE

If you need assistance:

Contact the distributor where the washer was purchased; locate an authorized Whirlpool Commercial Laundry distributor or visit www.whirlpoolcommerciallaundry.com.

When you call, have the washer model number and serial number. Both numbers can be found on the serial/rating plate located on your washer.

WHIRLPOOL® COMMERCIAL LAUNDRY LIMITED WARRANTY

IF YOU NEED SERVICE:

Contact your authorized Whirlpool® Commercial Laundry distributor. To locate your authorized Whirlpool® Commercial Laundry distributor, call:
1-800-662-3587, or for web inquiries, visit www.WhirlpoolCommercialLaundry.com.

For written correspondence:

**Whirlpool® Commercial Laundry Service Department
2000 N M 63
Benton Harbor, Michigan 49022-2632 USA**

90 DAY LIMITED WARRANTY

WHAT IS COVERED

90 DAY LIMITED WARRANTY (PARTS AND LABOR)

For 90 days from the original date of purchase, when this commercial appliance is installed, maintained, and operated according to the instructions attached to or furnished with the product, Whirlpool Corporation (hereafter "Whirlpool") will pay for factory specified replacement parts and repair labor to correct defects in materials or workmanship that existed when this commercial appliance was purchased.

TWO YEAR LIMITED WARRANTY (PARTS ONLY)

For the first two years from the original date of purchase, when this commercial appliance is installed, maintained, and operated according to the instructions attached to or furnished with the product, Whirlpool will pay for factory specified replacement parts to correct defects in materials or workmanship that existed when this commercial appliance was purchased.

YOUR SOLE AND EXCLUSIVE REMEDY UNDER THIS LIMITED WARRANTY SHALL BE PRODUCT REPAIR AS PROVIDED HEREIN. Whirlpool recommends that you use an "in network" service provider to diagnose and repair your Commercial Laundry product. Whirlpool will not be responsible under this warranty to provide additional replacement parts as a result of incorrect diagnosis or repair by an "out of network" service company. This limited warranty is valid in the United States or Canada and applies only when the commercial appliance is used in the country in which it was purchased. This limited warranty is effective from the date of the original consumer purchase. Proof of original purchase date is required to obtain service under this limited warranty.

WHAT IS NOT COVERED

1. All other costs including labor, transportation, shipping, or custom duties for covered parts.
2. Factory specified replacement parts if this commercial appliance is used for other than normal, commercial use or when it is used in a manner that is inconsistent to published user or operator instructions and/or installation instructions.
3. Service calls to correct the installation of your commercial appliance, to instruct you on how to use your commercial appliance, to replace or repair house fuses, or to correct external wiring or plumbing.
4. Service calls to repair or replace appliance light bulbs, air filters, or water filters. Consumable parts are excluded from warranty coverage.
5. Damage resulting from improper handling of product during delivery, theft, accident, alteration, misuse, abuse, fire, flood, acts of God, improper installation, installation not in accordance with local electrical or plumbing codes, or use of products not approved by Whirlpool.
6. Pick up and delivery. This commercial appliance is designed to be repaired on location.
7. Repairs to parts or systems resulting from unauthorized modifications made to the commercial appliance.
8. The removal and reinstallation of your commercial appliance if it is installed in an inaccessible location or is not installed in accordance with published installation instructions.
9. Damage resulting from exposure to chemicals.
10. Changes to the building, room, or location needed in order to make the commercial appliance operate correctly.
11. Factory specified replacement parts on commercial appliances with original model/serial numbers that have been removed, altered, or cannot be easily determined.
12. Discoloration, rust, or oxidation of stainless steel surfaces.
13. Factory specified replacement parts as a result of incorrect diagnosis or repair by an "out of network" service company.

The cost of repair or replacement under these excluded circumstances shall be borne by the customer.

DISCLAIMER OF IMPLIED WARRANTIES

IMPLIED WARRANTIES, INCLUDING ANY IMPLIED WARRANTY OF MERCHANTABILITY OR IMPLIED WARRANTY OF FITNESS FOR A PARTICULAR PURPOSE, ARE LIMITED TO TWO YEARS OR THE SHORTEST PERIOD ALLOWED BY LAW. Some states and provinces do not allow limitations on the duration of implied warranties of merchantability or fitness, so this limitation may not apply to you. This warranty gives you specific legal rights, and you also may have other rights that vary from state to state or province to province.

DISCLAIMER OF REPRESENTATIONS OUTSIDE OF WARRANTY

Whirlpool makes no representations about the quality, durability, or need for service or repair of this major appliance other than the representations contained in this Warranty. If you want a longer or more comprehensive warranty than the limited warranty that comes with this major appliance, you should ask Whirlpool or your retailer about buying an extended warranty.

LIMITATION OF REMEDIES; EXCLUSION OF INCIDENTAL AND CONSEQUENTIAL DAMAGES

YOUR SOLE AND EXCLUSIVE REMEDY UNDER THIS LIMITED WARRANTY SHALL BE PRODUCT REPAIR AS PROVIDED HEREIN. WHIRLPOOL SHALL NOT BE LIABLE FOR INCIDENTAL OR CONSEQUENTIAL DAMAGES. Some states and provinces do not allow the exclusion or limitation of incidental or consequential damages, so these limitations and exclusions may not apply to you. This warranty gives you specific legal rights, and you also may have other rights that vary from state to state or province to province.

08/16

SÉCURITÉ DE LA LAVEUSE

Votre sécurité et celle des autres est très importante.

Nous donnons de nombreux messages de sécurité importants dans ce manuel et sur votre appareil ménager. Assurez-vous de toujours lire tous les messages de sécurité et de vous y conformer.



Voici le symbole d'alerte de sécurité.

Ce symbole d'alerte de sécurité vous signale les dangers potentiels de décès et de blessures graves à vous et à d'autres.

Tous les messages de sécurité suivront le symbole d'alerte de sécurité et le mot "DANGER" ou "AVERTISSEMENT". Ces mots signifient :

 **DANGER**

Risque possible de décès ou de blessure grave si vous ne suivez pas immédiatement les instructions.

 **AVERTISSEMENT**

Risque possible de décès ou de blessure grave si vous ne suivez pas les instructions.

Tous les messages de sécurité vous diront quel est le danger potentiel et vous disent comment réduire le risque de blessure et ce qui peut se produire en cas de non-respect des instructions.

IMPORTANTES INSTRUCTIONS DE SÉCURITÉ

AVERTISSEMENT : Pour réduire les risques d'incendie, de choc électrique ou de blessures lors de l'utilisation de la laveuse, suivre les précautions fondamentales dont les suivantes :

- Lire toutes les instructions avant d'utiliser la laveuse.
- Ne pas laver des articles qui ont été nettoyés ou lavés avec de l'essence ou imbibés d'essence, solvants de nettoyage à sec, ou autres substances inflammables ou explosives; ces substances peuvent émettre des vapeurs susceptibles de s'enflammer ou d'exploser.
- Ne pas ajouter d'essence, solvant de nettoyage à sec ou autre produit inflammable ou explosif dans l'eau de lavage. Ces substances peuvent émettre des vapeurs susceptibles de s'enflammer ou d'exploser.
- Dans certaines conditions, de l'hydrogène gazeux peut se former dans un circuit d'eau chaude qui n'a pas été utilisé pendant 2 semaines ou plus. LE GAZ HYDROGÈNE EST EXPLOSIBLE. Si le circuit d'eau chaude n'a pas été utilisé pendant une telle période, avant d'utiliser la laveuse, ouvrir tous les robinets d'eau chaude et laisser l'eau s'écouler pendant plusieurs minutes par chaque robinet. Ceci permettra l'évacuation de l'hydrogène gazeux accumulé. Comme ce gaz est inflammable, ne pas fumer ou utiliser une flamme nue au cours de cette période.
- Ne pas laisser des enfants jouer sur ou à l'intérieur de la laveuse. Bien surveiller les enfants lorsque la laveuse est utilisée à proximité d'enfants.
- Avant de mettre la laveuse au rebut ou hors de service, enlever la porte ou le couvercle.
- Ne pas tenter d'atteindre un article à l'intérieur de la cuve de la laveuse lorsque le tambour, la cuve ou l'agitateur est en mouvement.
- Ne pas installer ou remiser cette laveuse à un endroit où elle serait exposée aux intempéries.
- Ne pas modifier les organes de commande.
- Ne pas réparer ou remplacer un composant quelconque de la laveuse, ni entreprendre une opération de service, si ce n'est spécifiquement recommandé dans ce manuel ou dans un manuel d'instructions de réparations destiné à l'utilisateur; il est alors essentiel que la personne concernée comprenne ces instructions et soit compétente pour les exécuter.
- Pour les instructions de liaison à la terre, voir "Spécifications électriques" dans les instructions d'installation.

CONSERVEZ CES INSTRUCTIONS

Avertissements de la proposition 65 de l'État de Californie :

AVERTISSEMENT : Ce produit contient au moins un produit chimique connu par l'État de Californie pour être à l'origine de cancers.

AVERTISSEMENT : Ce produit contient au moins un produit chimique connu par l'État de Californie pour être à l'origine de malformations et autres déficiences de naissance.

EXIGENCES D'INSTALLATION

Outillage et pièces

Rassembler les outils et pièces nécessaires avant de commencer l'installation. Les pièces fournies se trouvent dans le tambour de la laveuse.

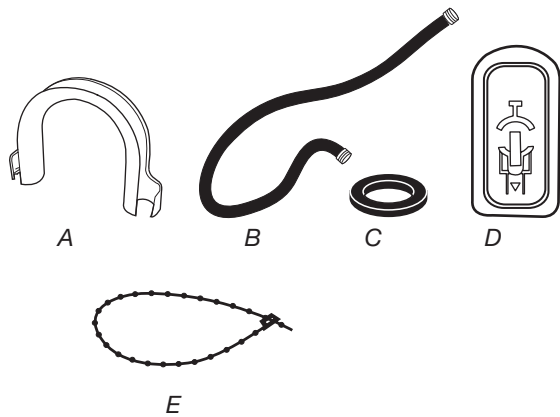
Outils nécessaires au raccordement des tuyaux d'arrivée d'eau :

- Pince (ouverture jusqu'à 1 $\frac{1}{16}$ " [39,5 mm])
- Lampe de poche (facultative)

Outils nécessaires à l'installation :

- Clés plates de 1/2" et 9/16"
- Tournevis de sécurité TORX® T20®†
- Tourne-écrou de 1/4"
- Niveau
- Cale en bois
- Règle ou mètre ruban

Pièces fournies :



- A. Bride de retenue pour tuyau de vidange (en forme de U)
 B. Tuyaux d'arrivée d'eau (2)
 C. Rondelles pour tuyau d'arrivée d'eau (4)
 D. Bouchons pour les trous des boulons de transport (4)
 E. Attache de fixation amovible

Autres pièces

Il se peut que l'installation nécessite des pièces supplémentaires. Pour acheter l'un des articles indiqués ici, composer le numéro sans frais indiqué à "Accessoires".

| Si vous avez | Vous devrez acheter |
|---|---|
| Évier de buanderie ou tuyau rigide de rejet à l'égout plus haut que 96" (2,4 m) | Système de pompe de puisard (si non déjà disponible) |
| Égout surélevé | Évier de vidange standard de 20 gal. (76 L) de 30" (762 mm) de hauteur ou évier utilitaire et pompe de puisard (disponibles chez votre fournisseur local d'articles de plomberie) |
| Égout au plancher | Brise-siphon, pièce n° 285834; tuyau de vidange additionnel, pièce n° 8318155; et ensemble de connexion, pièce n° 285835 |
| Tuyau de vidange trop court | Trousse de rallonge du tuyau de vidange de 4 pi (1,2 m), pièce n° 285863 |
| Robinetts d'eau hors d'atteinte des tuyaux d'admission | 2 tuyaux d'admission d'eau plus longs : 6 pi (1,8 m), pièce n° 76314 10 pi (3,0 m), pièce n° 350008 |

Accessoires

Vous pouvez faciliter l'utilisation de votre laveuse avec ces accessoires de première qualité.

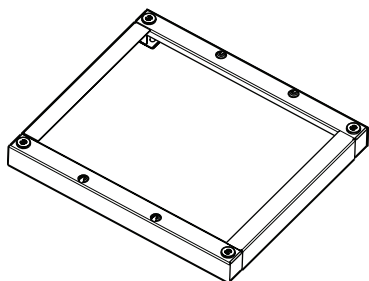
Pour vous informer au sujet des autres articles de qualité ou pour commander, composer le **1-866-698-2538** ou consulter le site www.whirlpool.com/accessories. Au Canada, composer le **1-800-688-2002** ou consulter le site Internet www.whirlpoolparts.ca.

| Produit numéro | Accessoire |
|----------------|--|
| 8212526 | Plateau d'égouttement de la laveuse, convient à tous les modèles |
| 31682 | Produit de nettoyage polyvalent pour appareils ménagers |
| 1903WH | Casier de rangement de fournitures de buanderie |

Options

Piédestal

Vous avez la possibilité d'acheter des piédestaux séparément pour cette laveuse. Le piédestal augmentera la hauteur totale de la laveuse.



Piédestal facultatif

| Hauteur du piédestal | Hauteur approximative avec laveuse | Couleur | Numéro de modèle |
|---|---|---------|------------------|
| 2 ⁷ / ₈ " (73 mm) | 47 ¹ / ₂ " (1207 mm)* | Blanc | WHP0400VW |

*Ajouter 5/8" (16 mm) minimum pour les pieds de nivellement.

Exigences d'emplacement

Le choix d'un emplacement approprié pour la laveuse en améliore le rendement et réduit au minimum le bruit et le "déplacement" possible de la laveuse.

La laveuse peut être installée sous un comptoir personnalisé, dans un sous-sol, une salle de buanderie ou un encastrement. Voir "Système de vidange".

Il faut aussi prendre en compte les exigences d'emplacement des appareils voisins. C'est à l'utilisateur qu'incombe la responsabilité de réaliser une installation correcte.

Il vous faudra :

- Un chauffe-eau configuré pour fournir de l'eau à 120°F (49°C) à la laveuse.
- Une prise électrique reliée à la terre située à moins de 6 pi (1,8 m) du cordon d'alimentation électrique fixé à l'arrière de la laveuse. Voir "Spécifications électriques".
- Des robinets d'eau chaude et d'eau froide situés à moins de 4 pi (1,2 m) des robinets d'admission d'eau chaude et d'eau froide et une pression d'eau de 20–100 lb/po² (137,9–689,6 kPa).
- Un plancher de niveau ayant une pente maximale de 1" (25 mm) sous l'ensemble de la laveuse. L'installation de la laveuse sur des surfaces de sol molles, telles que tapis ou surfaces avec sous-couche en mousse, n'est pas recommandée.
- Un plancher robuste et solide capable de soutenir le poids total de la laveuse (eau et charge) de 400 lbs (180 kg).

Ne pas faire fonctionner la laveuse à des températures inférieures à 32°F (0°C). Une quantité d'eau peut demeurer dans la laveuse et causer des dommages à des températures basses.

Dégagements de séparation à respecter

- L'emplacement doit être assez grand pour permettre d'ouvrir complètement la porte de la laveuse.
- Prévoir davantage d'espace pour faciliter l'installation et l'entretien. La porte s'ouvre à plus de 90° et n'est pas réversible.
- Un espace supplémentaire peut être requis pour les moulures de porte et de plancher et pour les plinthes.

- Un espace supplémentaire de 1" (25 mm) de tous les côtés de la laveuse est recommandé pour réduire le transfert du bruit.
- Il faut aussi prendre en compte l'espace requis entre les appareils voisins.

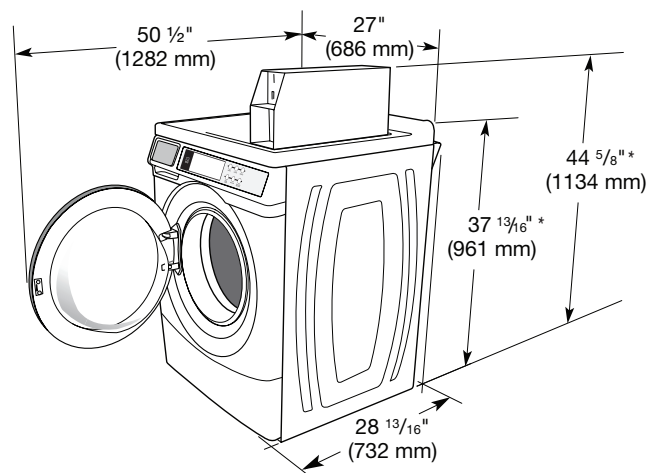
Installation dans un encastrement

Cette laveuse peut être installée dans un encastrement. Les dimensions d'installation indiquées correspondent à l'espacement minimal permis. Prévoir davantage d'espace pour faciliter l'installation et l'entretien. Consulter le tableau ci-dessous.

Espaces requis pour installation (Utiliser l'espace de dégagement recommandé pour une installation plus facile.)

| | Recommandée/Minimum | |
|--------------------------|------------------------|-------------------------|
| | Arrière/Dessus | Côtes |
| En retrait/sous comptoir | 0"/0" (0 mm)/(0 mm) | 1"/0" (25 mm)/(0 mm) |

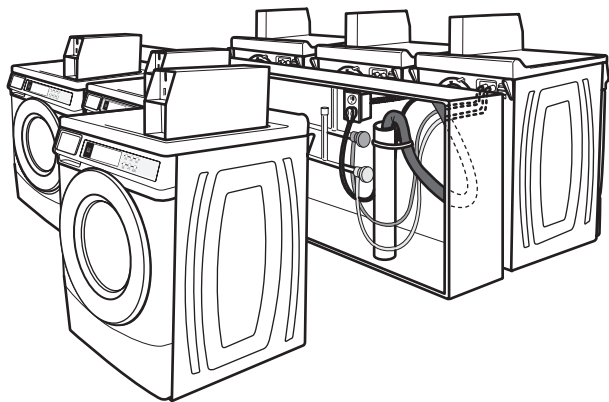
*Dimensions de la laveuse



*Hauteur sans les pieds de nivellement installés.

REMARQUE : La porte n'est pas réversible.

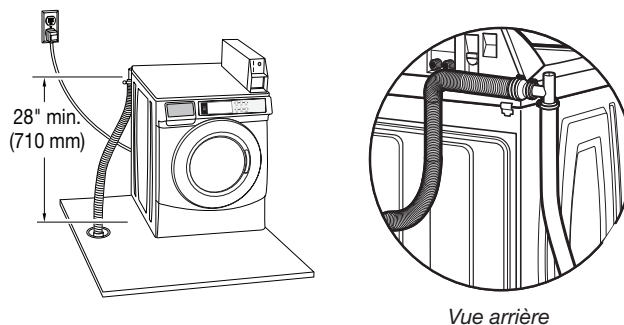
Un système de vidange au plancher doit être installé sous la cloison. Des cloisons pré-fabriquées avec prises de courant, canalisations d'arrivée d'eau, et aménagements pour installation de vidange ne doivent être installés que là où les codes locaux l'autorisent.



Système de vidange au plancher

Le système de vidange au plancher nécessite un brise-siphon qui peut être acheté séparément. Voir "Outillage et pièces".

Le brise-siphon doit être au moins à 28" (710 mm) de la base de la laveuse. Des tuyaux supplémentaires peuvent être requis.



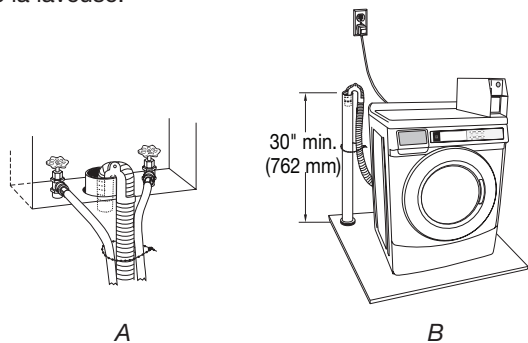
Système de vidange

La laveuse peut être installée en utilisant le système de rejet à l'égoût (au plancher ou mural), le système de vidange de l'évier de buanderie ou le système de vidange au plancher. Sélectionner la méthode d'installation du tuyau de vidange selon les besoins. Voir "Outillage et pièces".

Système de vidange avec tuyau de rejet à l'égoût – mural ou au plancher (vues A et B)

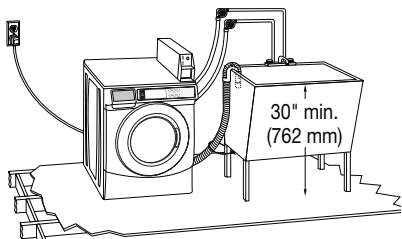
Le système de rejet à l'égoût nécessite un tuyau rigide d'un diamètre minimum de 2" (50 mm). La capacité minimale d'acheminement ne doit pas être inférieure à 12 gal. (45,5 L) par minute et par laveuse.

Le sommet du tuyau rigide de rejet à l'égoût doit être au moins à 30" (762 mm) de hauteur et au maximum à 96" (2,4 m) de la base de la laveuse.



Système de vidange avec évier de buanderie

L'évier de buanderie doit avoir une capacité minimale de 20 gal. (76 L). La partie supérieure de l'évier de buanderie doit être à au moins 30" (762 mm) au-dessus du plancher.



Spécifications électriques

⚠ AVERTISSEMENT



Risque de choc électrique

Brancher sur une prise à 3 alvéoles reliée à la terre.

Ne pas enlever la broche de liaison à la terre.

Ne pas utiliser un adaptateur.

Ne pas utiliser un câble de rallonge.

Le non-respect de ces instructions peut causer un décès, un incendie ou un choc électrique.

- Une alimentation de 120 volts, 60 Hz, CA seulement, de 15 ou 20 ampères, protégée par un fusible est requise. On recommande d'utiliser un fusible ou un disjoncteur temporisé. Il est recommandé de raccorder la laveuse sur un circuit distinct exclusif à cette laveuse.
- Cette laveuse comporte un cordon d'alimentation électrique à trois broches pour liaison à la terre.
- Pour minimiser les risques de choc électrique, on doit brancher le cordon sur une prise de courant de configuration correspondante, à 3 alvéoles, reliée à la terre et installée conformément aux codes et règlements locaux. Si une prise de courant de configuration correspondante n'est pas disponible, le client a la responsabilité et l'obligation de faire installer par un électricien qualifié une prise de courant correctement reliée à la terre.
- Si les codes le permettent et si on utilise un conducteur distinct de liaison à la terre, il est recommandé qu'un électricien qualifié vérifie la qualité de la liaison à la terre.
- Ne pas utiliser une tuyauterie de gaz pour le raccordement à la terre.
- En cas de doute quant à la qualité de la liaison à la terre de la laveuse, consulter un électricien qualifié.
- Ne pas installer un fusible dans le conducteur neutre ou le conducteur de liaison à la terre.

INSTRUCTIONS DE LIAISON À LA TERRE

Pour une laveuse reliée à la terre et connectée par un cordon :

Cette laveuse doit être reliée à la terre. En cas d'anomalie de fonctionnement ou de panne, la liaison à la terre réduira le risque de choc électrique en offrant au courant électrique un itinéraire d'évacuation de moindre résistance. Cette laveuse est alimentée par un cordon électrique comportant un conducteur relié à la terre et une fiche de branchement munie d'une broche de liaison à la terre. La fiche doit être branchée sur une prise de courant appropriée qui est bien installée et reliée à la terre conformément à tous les codes et règlements locaux.

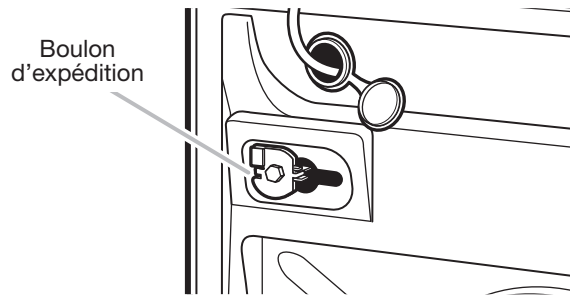
AVERTISSEMENT : Le raccordement incorrect de cet appareil au conducteur de liaison à la terre peut susciter un risque de choc électrique. En cas de doute quant à la qualité de la liaison à la terre de l'appareil, consulter un électricien ou technicien d'entretien qualifié.

Ne pas modifier la fiche de branchement fournie avec l'appareil – si la fiche ne correspond pas à la configuration de la prise de courant, demander à un électricien qualifié d'installer une prise de courant convenable.

Pour une laveuse raccordée en permanence :

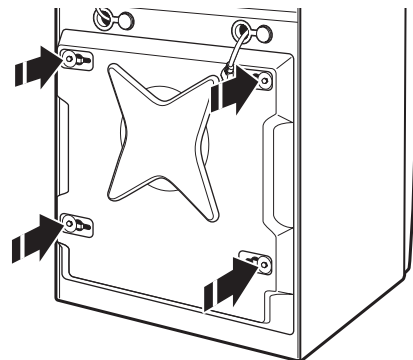
Cette laveuse doit être raccordée à un système de câblage permanent en métal relié à la terre ou un conducteur relié à la terre doit être en fonction avec les conducteurs de circuit et raccordés à la borne de liaison à la terre ou la borne sur l'appareil ménager.

1. Laisser la laveuse en position verticale pendant que l'on ôte les boulons d'expédition.

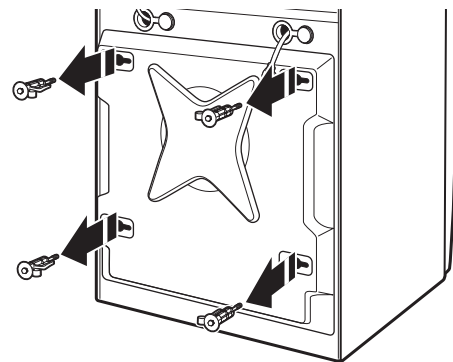


Boulon d'expédition avec cale d'espacement en plastique

2. Au moyen d'une clé de 1/2", desserrer chacun des boulons.



3. Une fois le boulon desserré, le déplacer au centre du trou et retirer complètement le boulon, y compris la cale d'espacement en plastique couvrant le boulon.



4. Une fois que les 4 boulons ont été retirés, jeter les boulons et les cales d'espacement. Puis pousser la fiche du cordon d'alimentation électrique à travers l'ouverture sur le côté droit du panneau arrière, tirer le cordon d'alimentation électrique à travers l'ouverture sur le côté gauche du panneau arrière et obturer les trous avec le bouchon fourni. Ne pas tirer l'extrémité du cordon d'alimentation à travers le trou de droit.
5. Obturer les trous des boulons avec les 4 bouchons d'obturation des boulons de transport.

REMARQUE : Si la laveuse doit être transporté à une date ultérieure, appeler le distributeur ou l'installateur du produit. Pour éviter des dommages concernant la suspension et la structure, votre laveuse doit être correctement monté pour réinstallation ultérieure par un technicien certifié.

INSTRUCTIONS D'INSTALLATION

Dépose du système de transport

⚠ AVERTISSEMENT

Risque du poids excessif

Utiliser deux ou plus de personnes pour déplacer et installer la laveuse.

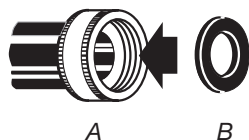
Le non-respect de cette instruction peut causer une blessure au dos ou d'autre blessure.

IMPORTANT : Positionner la laveuse de sorte que l'arrière de la laveuse soit à environ 3 pi (900 mm) de son emplacement final.

On trouve sur le panneau arrière de la laveuse 4 boulons d'expédition qui soutiennent le système de suspension durant le transport. Ces boulons retiennent aussi le cordon d'alimentation électrique à l'intérieur de la laveuse jusqu'à ce que les boulons soient retirés.

Raccordement des tuyaux d'alimentation

Insérer les rondelles plates neuves (fournies) dans chaque extrémité des tuyaux d'arrivée d'eau. Insérer fermement les rondelles dans les raccords.

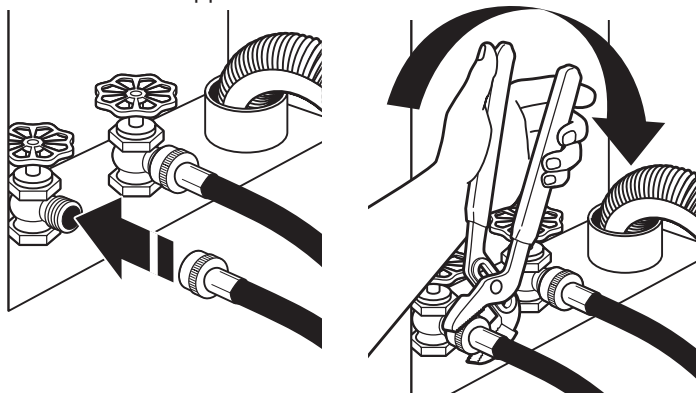


A. Raccord
B. Rondelle

Connecter les tuyaux d'arrivée d'eau aux robinets d'eau

S'assurer que le tambour de la laveuse est vide.

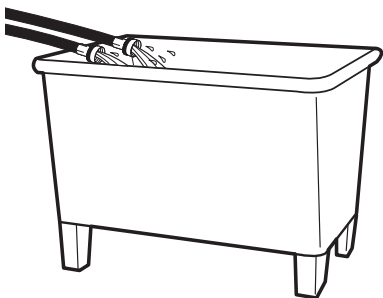
1. Fixer un tuyau au robinet d'eau chaude. Visser complètement le raccord à la main pour qu'il comprime le joint.
2. Fixer un tuyau au robinet d'eau froide. Visser complètement le raccord à la main pour qu'il comprime le joint.
3. À l'aide d'une pince, serrer les raccords en effectuant deux tiers de tour supplémentaires.



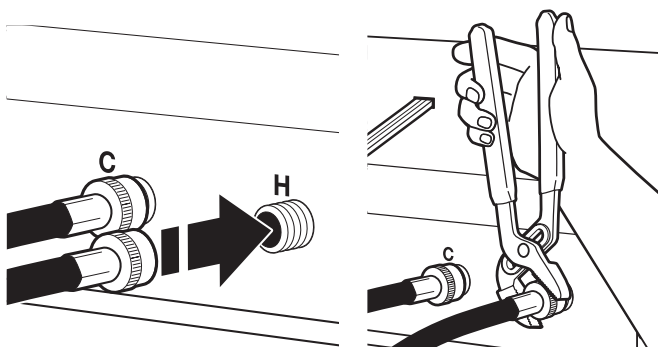
REMARQUE : Ne pas serrer excessivement ou utiliser du ruban adhésif ou un calfeutrant sur la valve. Les valves risquent d'être endommagées.

Purger les canalisations d'eau

- Laisser s'écouler l'eau des deux robinets et des tuyaux d'alimentation dans un évier de buanderie, un tuyau rigide de rejet à l'égout ou un seau, pour éliminer les particules se trouvant dans les canalisations d'eau qui pourraient obstruer les tamis de la valve d'arrivée d'eau.
- Vérifier la température de l'eau pour s'assurer que le tuyau d'eau chaude est connecté au robinet d'eau chaude et que le tuyau d'eau froide est connecté au robinet d'eau froide.



Connecter les tuyaux d'arrivée d'eau à la laveuse

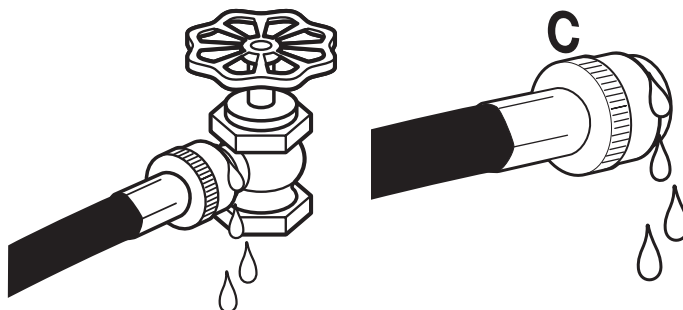


C. Tuyau d'arrivée d'eau froide
H. Tuyau d'arrivée d'eau chaude

1. Fixer le tuyau d'eau chaude à la valve du tuyau d'arrivée d'eau chaude (H) de la laveuse. Visser complètement le raccord à la main pour qu'il comprime le joint.
2. Fixer le tuyau d'eau froide à la valve du tuyau d'arrivée d'eau froide (C) de la laveuse. Visser complètement le raccord à la main pour qu'il comprime le joint.
3. À l'aide d'une pince, serrer les raccords en effectuant deux tiers de tour supplémentaires.

REMARQUE : Ne pas serrer excessivement. Le raccord risque d'être endommagé.

4. Ouvrir les robinets d'eau complètement et vérifier s'il y a des fuites.



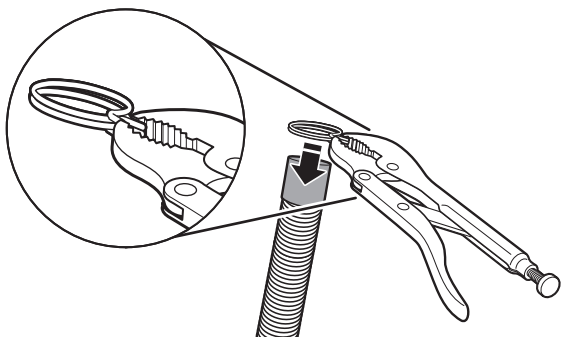
REMARQUE : Remplacer les tuyaux d'arrivée d'eau après 5 ans d'utilisation pour réduire le risque de défaillance. Prendre note de la date d'installation ou de remplacement des tuyaux, pour référence ultérieure.

Inspecter périodiquement les tuyaux; les remplacer en cas de renflement, de déformation, de coupure, d'usure ou si une fuite se manifeste.

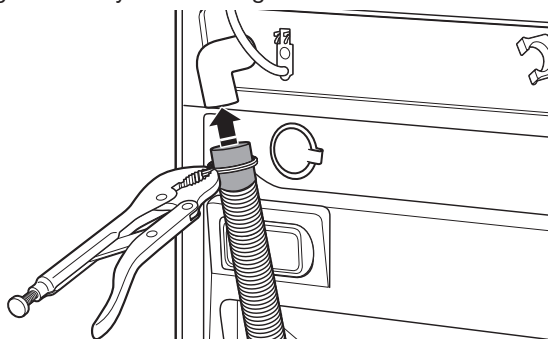
Raccordement du tuyau de vidange

Libération du tuyau de vidange fixé sur le tambour de la laveuse

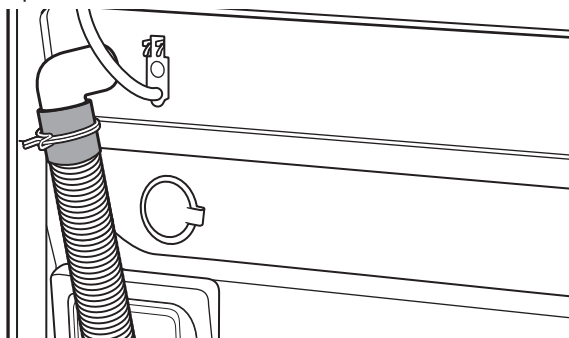
1. À l'aide d'une pince multiprise, serrer les deux onglets de la bride de tuyau et insérer la bride sur l'extrémité du tuyau de vidange.



2. Faire glisser le tuyau de vidange sur le raccord de la laveuse.



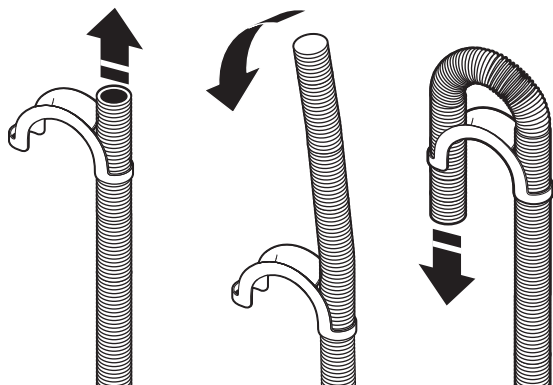
3. Une fois le tuyau de vidange en place, relâcher la prise de la pince.



Le système de vidange de la laveuse peut être installé à l'aide d'un conduit d'évacuation au plancher, un tuyau de rejet à l'égout rigide au mur ou au plancher ou un évier de buanderie.

Décharge de l'eau de lavage dans un évier de buanderie ou tuyau de rejet à l'égout

Connecter la bride de retenue pour tuyau de vidange sur le tuyau de vidange ondulé.



Pour empêcher l'eau de vidange de refluer dans la laveuse :

- Utiliser la bride de retenue et ne pas forcer l'excédent de tuyau dans le tuyau de rejet à l'égout. Le tuyau doit être bien immobilisé, tout en permettant le passage d'air.
- Ne pas mettre l'excédent du tuyau de vidange dans l'évier de buanderie.

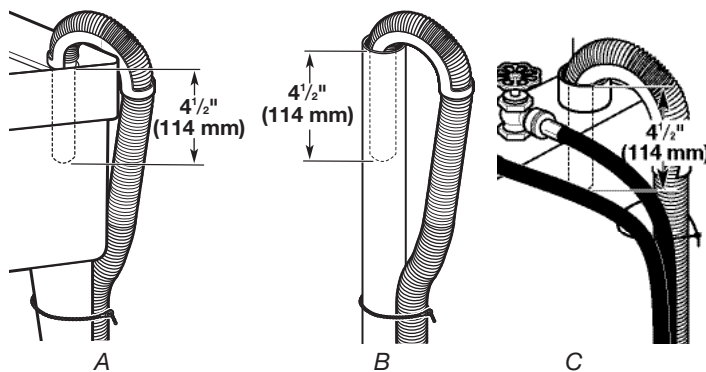
Égout au plancher

Il vous faudra peut-être des pièces supplémentaires. Voir "Égout au plancher" dans "Outillage et pièces".

Immobilisation du tuyau de vidange

Le tuyau de vidange doit être bien installé pour empêcher le tuyau de bouger lorsque l'eau est pompée pour la vidange. Si le tuyau de vidange bouge, de l'eau peut couler sur le plancher.

1. Faire passer le cordon d'alimentation par-dessus la laveuse.
2. Déplacer la laveuse à son emplacement final.
3. Placer le tuyau de vidange dans l'évier de buanderie ou le tuyau de rejet à l'égout. Voir les illustrations A et B.



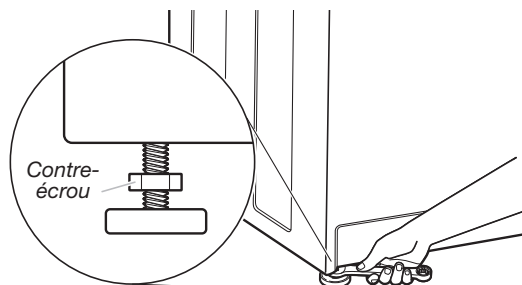
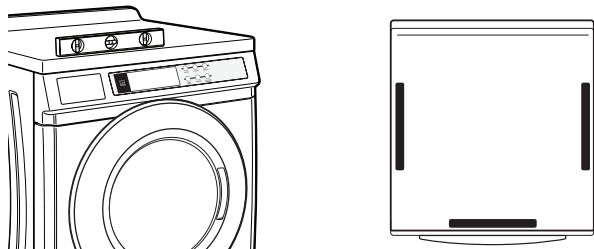
REMARQUES :

- Ne pas forcer l'excédent de tuyau de vidange dans l'arrière de la laveuse.
- Pour éviter un effet de siphon, ne pas assurer l'étanchéité ou introduire plus de 4 1/2" (114 mm) à la jonction entre le tuyau de vidange et le tuyau de rejet à l'égout rigide ou le tuyau d'évacuation.
- Si les robinets d'eau et le tuyau rigide de rejet à l'égout sont placés en retrait, introduire l'extrémité en crochet du tuyau de vidange dans le tuyau rigide de rejet à l'égout, tel qu'indiqué. Voir l'illustration C.
- Il incombe à l'installateur d'installer et de fixer solidement le tuyau de vidange à la canalisation d'évacuation de manière à ce que le tuyau de vidange ne puisse sortir et causer d'éventuelles fuites de la canalisation d'évacuation.

Réglage de l'aplomb de la laveuse

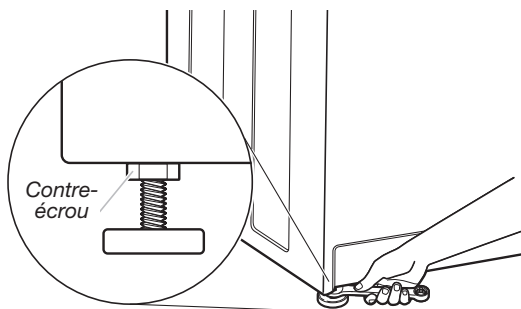
Un bon aplomb de la laveuse évite le bruit et les vibrations excessifs.

1. Placer un niveau sur le bord supérieur de la laveuse pour contrôler l'aplomb, d'abord transversalement, puis dans le sens avant arrière.



Si la laveuse est placée contre un mur, on doit l'écartier légèrement du mur avant de l'incliner vers l'arrière. Si la laveuse n'est pas d'aplomb, soulever l'avant de la laveuse avec une cale de bois et ajuster la position des pieds selon le besoin; soulever ensuite l'arrière de la laveuse et ajuster la longueur des pieds selon le besoin. Répéter ces opérations jusqu'à l'obtention d'un aplomb correct de la laveuse.

2. Vérifier que les quatre pieds sont stables et reposent sur le sol. Vérifier ensuite que la laveuse est parfaitement d'aplomb (utiliser un niveau).
3. Après avoir établi l'aplomb correct de la laveuse, utiliser une clé plate de 9/16" pour serrer fermement l'écrou de chaque pied contre la caisse de la laveuse.



IMPORTANT : Les 4 pieds doivent être bien serrés. Si les écrous ne sont pas bloqués contre la caisse de la laveuse, la laveuse peut vibrer.

4. La laveuse ne doit pas bouger d'avant en arrière, latéralement ou transversalement lorsqu'on appuie sur les bords supérieurs.
5. Faire glisser la laveuse à son emplacement final.
6. Vérifier le bon aplomb de la laveuse.

Achever l'installation

1. Consulter les spécifications électriques. Vérifier que la tension électrique disponible est correcte et que la méthode de mise à la terre recommandée a été suivie. Voir "Spécifications électriques".
2. Vérifier que toutes les pièces sont maintenant installées. S'il reste une pièce, passer en revue les différentes étapes pour découvrir laquelle aurait été oubliée.
3. S'assurer d'avoir récupéré tous vos outils.
4. Jeter ou recycler tous les matériaux d'emballage.
5. Vérifier que chaque robinet d'eau est ouvert.
6. Vérifier s'il y a des fuites autour des robinets et des tuyaux d'arrivée d'eau.

⚠ AVERTISSEMENT



Risque de choc électrique

Brancher sur une prise à 3 alvéoles reliée à la terre.

Ne pas enlever la broche de liaison à la terre.

Ne pas utiliser un adaptateur.

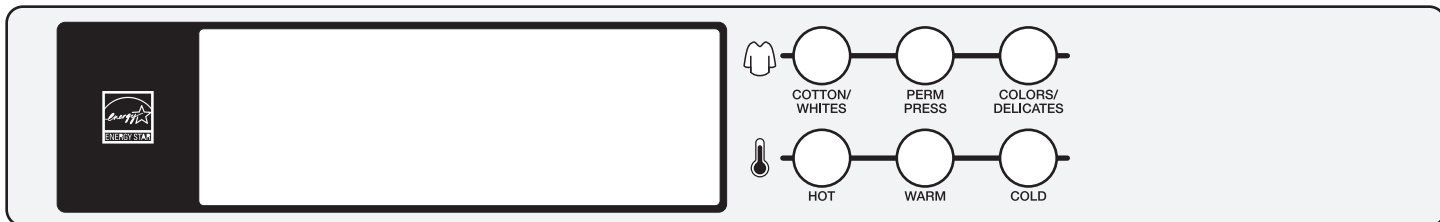
Ne pas utiliser un câble de rallonge.

Le non-respect de ces instructions peut causer un décès, un incendie ou un choc électrique.

7. Brancher sur une prise à 3 alvéoles reliée à la terre.
8. Pour tester le fonctionnement de la laveuse ou effectuer le nettoyage, mesurer la moitié de la quantité de détergent HE haute efficacité recommandée par le fabricant pour une charge de taille moyenne. Verser le détergent dans le distributeur de détergent. Sélectionner n'importe quel programme et laisser la laveuse exécuter un programme complet.



INSTRUCTIONS D'UTILISATION ET D'INSTALLATION



REMARQUES : Après l'installation initiale et le branchement de la laveuse, l'affichage peut indiquer '0 MINUTES'. Après le branchement de la laveuse et l'ouverture puis la fermeture de la porte, l'affichage présente le prix. Si la laveuse est réglée pour l'utilisation gratuite, 'SELECT CYCLE' (sélectionner le programme) clignote sur l'affichage.

1. Insérer des pièces jusqu'à ce que 'SELECT CYCLE' (sélectionner le programme) clignote sur l'affichage.
2. La porte doit rester fermée avant la sélection du programme.
3. Appuyer sur le bouton de réglage du tissu pour le programme de lavage désiré. Après la mise en marche du programme, l'heure s'affichera et le compte à rebours commencera.
4. Quand un programme est interrompu durant l'ouverture de la porte, 'RESELECT CYCLE' (sélectionner à nouveau le programme) clignotera sur l'affichage. Pour remettre la laveuse en marche, fermer la porte et sélectionner à nouveau le programme désiré.

Informations générales

DÉFILEMENT DE 'OUT OF ORDER' (HORS SERVICE) SUR L'AFFICHEUR

Cette situation indique que la laveuse n'est pas opérationnel.

AFFICHAGE DE '0 MINUTES'

Ceci indique qu'il n'est pas possible de faire fonctionner la laveuse. L'information sur les pièces insérées ou les entrées de débit sera mémorisée mais ne peut être utilisée avant le rétablissement du fonctionnement normal par une manœuvre d'ouverture/fermeture de la porte. En cas de défaillance du contacteur de porte, on doit le remplacer pour pouvoir rétablir le fonctionnement normal.

COLD START (Mise en marche à froid) (pour la première utilisation)

La laveuse a été programmée à l'usine comme suit :

- Période de lavage de 11 minutes
- 3 rinçages (rinçage supplémentaire non activé)
- Prix de lavage de 2,00 \$ (modèle 9150)
- Prix de lavage de 0,00 \$ (modèle 9160)

WARM START (Remise en marche) (après une interruption de l'alimentation)

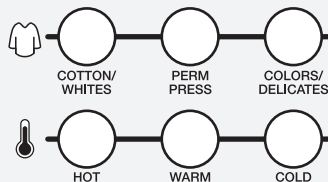
Quelques secondes après le rétablissement de l'alimentation électrique, si un programme était en cours au moment de la panne, 'RESELECT CYCLE' (sélectionner à nouveau le programme) clignote sur l'afficheur, pour indiquer qu'il faut appuyer sur un bouton pour remettre la laveuse en marche.

DOOR LOCK (Verrouillage de la porte)

Avant qu'un programme ne démarre, une procédure de verrouillage de porte avec étapes de verrouillage/déverrouillage/re-verrouillage se déclenche, puis le programme commence. La porte restera verrouillée jusqu'à la fin du programme ou pendant environ 2 minutes après une interruption d'alimentation.

PRICING (Prix de l'utilisation)

Une fois la porte ouverte suite à un programme, l'affichage indique le prix du programme (à moins de réglage gratuit). Au fur et à mesure que les pièces sont insérées ou que les entrées de carte de débit arrivent, l'affichage indiquera les étapes à suivre par l'utilisateur pour lancer un programme.



PROGRAMMES GRATUITS

Pour ceci, on règle le prix de l'utilisation à zéro; l'affichage présente alors 'SELECT CYCLE' (sélectionner le programme) plutôt que le prix d'une utilisation.

PRÊT POUR CARTE DE DÉBIT

Cette laveuse est pré-configurée pour l'utilisation des cartes de débit; il est compatible avec une variété de systèmes de paiement par carte de débit, mais il n'est PAS fourni avec un lecteur de carte de débit. Pour le réglage approprié de la laveuse, voir les instructions fournies par le fabricant du lecteur de carte de débit. Pour un modèle converti pour l'utilisation d'une carte de débit Génération 1, les impulsions de débit sont équivalentes à l'insertion d'une pièce (pièce 1).

Procédures de réglage des systèmes de commande

⚠ AVERTISSEMENT



Risque de choc électrique

Déconnecter la source de courant électrique avant l'entretien.

Replacer pièces et panneaux avant de faire la remise en marche.

Le non-respect de ces instructions peut causer un décès ou un choc électrique.

IMPORTANT : Lire la totalité des instructions avant l'utilisation.

Modèles 9150 : Insérer la clé de la porte d'accès; tourner et soulever pour enlever la porte d'accès.

Modèles 9160 : Une fois le lecteur de carte de débit installé (conformément aux instructions du fabricant du lecteur), on peut entrer au mode de paramétrage uniquement en insérant une carte de paramétrage (fournie par le fabricant du lecteur) dans la fente d'insertion de carte. Si l'on ne dispose pas de carte de paramétrage, on peut accéder aux modes de diagnostic en retirant le connecteur AA1 sur la carte de circuits ou utiliser le code d'accès pour entretien (voir la section "Code d'accès pour entretien", page 28) pour les modèles 9160.

IMPORTANT : Débrancher la laveuse ou déconnecter la source de courant électrique avant d'ouvrir la console. Pour accéder au connecteur AA1 :

1. Débrancher la laveuse ou déconnecter la source de courant électrique.
2. Ouvrir la console, déposer le connecteur AA1 et refermer la console.
3. Brancher la laveuse ou reconnecter la source de courant électrique.

La laveuse est à présent en mode de paramétrage. Le paramétrage des commandes se fait à l'aide des 3 boutons du bas et de l'affichage numérique. L'affichage peut contenir 4 chiffres et/ou lettres et un point décimal. Il indique les codes de paramétrage et les valeurs correspondantes pour la programmation de la laveuse.

Une fois que la laveuse a été programmée avec un lecteur de carte de génération 2 installé, la laveuse sera en permanence en mode d'AS, et d'AS s'affichera chaque fois que l'on accèdera au mode de paramétrage.

Pour le réglage des systèmes de commande, on utilise les boutons de réglage inférieurs (tissu) et l'affichage numérique.

L'affichage peut présenter 4 chiffres et/ou lettres et un point décimal, qui indiquent les codes de paramétrage et des valeurs connexes disponibles pour la programmation de la laveuse.

UTILISATION DES BOUTONS POUR LA PROGRAMMATION DES SYSTÈMES DE COMMANDE

1. Le bouton HOT permet la sélection des valeurs associées aux codes de paramétrage. Une pression sur le bouton fait augmenter la valeur par incréments; si on maintient la pression sur le bouton, la valeur affichée augmente rapidement.
2. Le bouton WARM commande la progression parmi les codes de paramétrage. Une pression sur le bouton provoque le passage au code de paramétrage suivant; une pression constante sur le bouton commande le défilement automatique des codes à raison de 1 code par seconde.
3. Le bouton COLD permet de sélectionner/désélectionner les options.

Paramétrage pour mise en marche

Avant de poursuivre, il convient de noter que malgré toutes les options disponibles, une personne peut simplement choisir de débarrer une laveuse commerciale neuve, la brancher et disposer d'une laveuse fonctionnelle.

Les laveuses sont pré-réglées à l'usine pour une période de lavage de 11 minutes et pour 3 rinçages (aucun rinçage supplémentaire).

CODES DE PARAMÉTRAGE

- Le bouton WARM permet de passer d'un code à un autre.
- Le bouton HOT permet de changer de valeur de code.
- Le bouton COLD permet de sélectionner/désélectionner les options.

Le code de paramétrage est indiqué par le ou les deux caractères sur la gauche. La valeur du code de paramétrage est indiquée par les deux ou trois caractères sur la droite.

REMARQUE : La première ligne de chaque code indique la valeur par défaut définie en usine pour les modèles 9150.

| CODE | EXPLICATION |
|-------|---|
| 6. 08 | PRIX POUR PROGRAMME REGULIER (paramétrage usine) |
| 6. 08 | Lorsque d.xx est réglé sur le paramétrage d.00, cette valeur 6.xx représente le nombre de pièces nécessaires pour démarrer la laveuse. Ce nombre peut être réglé de 0 à 39. Cette valeur peut être modifiée en appuyant sur le bouton HOT. 6.08 = 8 pièces. Les modèles 9160 sont réglés par défaut sur 6.00. |
| 6. 01 | Lorsque d.xx est réglé sur le paramétrage d.CS, cette valeur 6.xx représente le nombre d'activations par poussée de la glissière à pièces nécessaires pour démarrer la laveuse. 6.01 serait l'équivalent d'une activation de la glissière à pièces. → Appuyer une fois sur le bouton WARM pour passer au code suivant. |

| CODE | EXPLICATION |
|-------|--|
| 7. 11 | DURÉE DU LAVAGE |
| 7. 11 | Nombre de minutes de la période de LAVAGE. La laveuse est pré-réglée à l'usine pour 11 minutes. Sélectionner une valeur de 9-17 minutes : appuyer sur le bouton HOT. → Appuyer une fois sur le bouton WARM pour passer au code suivant. |
| 8. 00 | OPTION RINÇAGE SUPPLÉMENTAIRE Cette option peut être SÉLECTIONNÉE ('ON') ou PAS SÉLECTIONNÉE ('OFF'). |
| 8. 00 | Pas sélectionnée ('OFF'). |
| 8. Ar | Sélectionnée ('ON'). Appuyer une fois sur le bouton COLD pour cette sélection. → Appuyer une fois sur le bouton WARM pour passer au code suivant. |
| 9. 00 | OPTION DE COMPTAGE DU NOMBRE DE PROGRAMMES Cette option peut être SÉLECTIONNÉE ('ON') ou PAS SÉLECTIONNÉE ('OFF'). |
| 9. 00 | Pas sélectionnée ('OFF'). |
| 9. 0C | Option sélectionnée ('ON') et impossibilité de désélection. Appuyer 3 fois consécutives sur le bouton COLD pour sélectionner 'ON' (active). Lorsque 'ON' a été sélectionné, on ne peut désélectionner l'option. → Appuyer une fois sur le bouton WARM pour passer au code suivant. |
| 1. 00 | OPTION COMPTEUR DE MONNAIE Cette option peut être SÉLECTIONNÉE ('ON') ou PAS SÉLECTIONNÉE ('OFF'). |
| 1. 00 | Pas sélectionnée ('OFF'). |
| 1. 0C | Option sélectionnée ('ON'). Appuyer 3 fois consécutives sur le bouton COLD pour sélectionner 'ON' (active); appuyer 3 fois sur le bouton pour désélectionner l'option. Le compteur passe de 'OFF' (inactive) à 'ON' (active). |
| 1. C0 | Option sélectionnée 'ON' et impossibilité de désélection. Pour sélectionner 'ON' avec impossibilité de désélection, sélectionner d'abord 'ON'. Puis en moins de deux secondes appuyer deux fois sur le bouton COLD et une fois sur le bouton HOT, et quitter le mode de paramétrage. → Appuyer une fois sur le bouton WARM pour passer au code suivant. |
| 2. 00 | OPTIONS DE PRIX SPÉCIAL Cette option peut être SÉLECTIONNÉE ('ON') ou PAS SÉLECTIONNÉE ('OFF'). |
| 2. 00 | Pas sélectionnée ('OFF'). |
| 2. SP | Option sélectionnée ('ON'). Appuyer une fois sur le bouton COLD pour cette sélection. Si l'OPTION DE PRIX SPÉCIAL est sélectionnée, on a accès aux codes '3.' à '9.' → Appuyer une fois sur le bouton WARM pour passer au code suivant. |

| CODE | EXPLICATION |
|---|--|
| OPTIONS À UTILISER APRÈS SÉLECTION DE PRIX SPÉCIAL : | |
| 3. 08 | PRIX POUR PROGRAMME SPÉCIAL |
| 3. 08 | Ceci représente le nombre de pièces de 0,25 \$ (pièce 1) pour la mise en marche de la sècheuse; réglage dans la plage 0–39. (Voir le paramétrage b.xx de VALEUR DE LA PIÈCE 1). Pour faire augmenter le chiffre affiché entre 0–39, appuyer sur le bouton HOT. Configuré à l'usine pour 8 pièces de 0,25 \$ = 2,00 \$. |
| 3. 00 | Modèle 9160 : Configuré à l'usine pour 0 pièce de 0,25 \$. → Appuyer une fois sur le bouton WARM pour passer au code suivant. |
| 5. 00 | HORLOGE - MINUTES |
| 5. 00 | Sélection du nombre de minutes pour l'HORLOGE; sélectionner une valeur de 0–59 minutes : appuyer sur le bouton HOT. → Appuyer une fois sur le bouton WARM pour passer au code suivant. |
| 6. 00 | HORLOGE - HEURES REMARQUE : Utilisation du format 24 h. |
| 6. 00 | Sélection du nombre d'heures pour l'HORLOGE; sélectionner une valeur de 0–23 heures : appuyer sur le bouton HOT. → Appuyer une fois sur le bouton WARM pour passer au code suivant. |
| 7. 00 | PRIX SPÉCIAL - HEURE DE COMMENCEMENT REMARQUE : Utilisation du format 24 h. |
| 7. 00 | Sélection de l'heure de commencement pour cette tarification; sélectionner une valeur de 0–23 heures. Sélectionner START HOUR (heure de commencement) : appuyer sur le bouton HOT. → Appuyer une fois sur le bouton WARM pour passer au code suivant. |
| 8. 00 | PRIX SPÉCIAL - HEURE D'EXPIRATION REMARQUE : Utilisation du format 24 h. |
| 8. 00 | Sélection de l'heure d'expiration pour cette tarification; sélectionner une valeur de 0–23 heures. Sélectionner STOP HOUR (heure d'expiration) : appuyer sur le bouton HOT. → Appuyer une fois sur le bouton WARM pour passer au code suivant. |

| CODE | EXPLICATION | | | | | | | | | | | | | | | | | | | | | | | | |
|-----------|--|--------------------|--------------------|--------------------|----|-------------------|----|----|----------------|----|----|----------------|----|----|-------------------|----|----|----------------|----|----|-------------------|----|----|-----------------|----|
| 9. 10 | JOUR POUR PRIX SPÉCIAL | | | | | | | | | | | | | | | | | | | | | | | | |
| 9. 10 | Ceci représente le jour de la semaine sélectionné, et la sélection de la tarification spéciale pour ce jour. Un chiffre suivi de '0' indique que cette option n'est pas sélectionnée pour le jour particulier concerné (9.10). Un chiffre suivi d'un 'S' indique que cette option est sélectionnée pour le jour concerné (9.1S). Pour sélectionner le jour de la semaine (1–7), appuyer sur le bouton HOT. Appuyer une fois sur le bouton COLD pour sélectionner l'option de prix spécial pour chaque jour choisi. Lorsqu'on quitte le code de paramétrage '9.', l'afficheur doit présenter le jour courant de la semaine : | | | | | | | | | | | | | | | | | | | | | | | | |
| | <table border="1"> <thead> <tr> <th>AFFICHEUR</th> <th>JOUR DE LA SEMAINE</th> <th>CODE (sélectionné)</th> </tr> </thead> <tbody> <tr> <td>10</td> <td>Jour 1 = Dimanche</td> <td>1S</td> </tr> <tr> <td>20</td> <td>Jour 2 = Lundi</td> <td>2S</td> </tr> <tr> <td>30</td> <td>Jour 3 = Mardi</td> <td>3S</td> </tr> <tr> <td>40</td> <td>Jour 4 = Mercredi</td> <td>4S</td> </tr> <tr> <td>50</td> <td>Jour 5 = Jeudi</td> <td>5S</td> </tr> <tr> <td>60</td> <td>Jour 6 = Vendredi</td> <td>6S</td> </tr> <tr> <td>70</td> <td>Jour 7 = Samedi</td> <td>7S</td> </tr> </tbody> </table> | AFFICHEUR | JOUR DE LA SEMAINE | CODE (sélectionné) | 10 | Jour 1 = Dimanche | 1S | 20 | Jour 2 = Lundi | 2S | 30 | Jour 3 = Mardi | 3S | 40 | Jour 4 = Mercredi | 4S | 50 | Jour 5 = Jeudi | 5S | 60 | Jour 6 = Vendredi | 6S | 70 | Jour 7 = Samedi | 7S |
| AFFICHEUR | JOUR DE LA SEMAINE | CODE (sélectionné) | | | | | | | | | | | | | | | | | | | | | | | |
| 10 | Jour 1 = Dimanche | 1S | | | | | | | | | | | | | | | | | | | | | | | |
| 20 | Jour 2 = Lundi | 2S | | | | | | | | | | | | | | | | | | | | | | | |
| 30 | Jour 3 = Mardi | 3S | | | | | | | | | | | | | | | | | | | | | | | |
| 40 | Jour 4 = Mercredi | 4S | | | | | | | | | | | | | | | | | | | | | | | |
| 50 | Jour 5 = Jeudi | 5S | | | | | | | | | | | | | | | | | | | | | | | |
| 60 | Jour 6 = Vendredi | 6S | | | | | | | | | | | | | | | | | | | | | | | |
| 70 | Jour 7 = Samedi | 7S | | | | | | | | | | | | | | | | | | | | | | | |
| | → Appuyer une fois sur le bouton WARM pour passer au code suivant. | | | | | | | | | | | | | | | | | | | | | | | | |
| A. 00 | OPTION AFFICHAGE DU CONTENU DU COFFRE Cette option peut être SÉLECTIONNÉE ('ON') ou PAS SÉLECTIONNÉE ('OFF'). | | | | | | | | | | | | | | | | | | | | | | | | |
| A. 00 | Pas sélectionnée ('OFF'). | | | | | | | | | | | | | | | | | | | | | | | | |
| A. SC | Option sélectionnée ('ON'). Appuyer une fois sur le bouton COLD pour cette sélection. Lorsque l'option est sélectionnée, le montant d'argent et/ou le nombre de programmes (si on a sélectionné le comptage) est visible lorsque la boîte à pièces a été enlevée. → Appuyer une fois sur le bouton WARM pour passer au code suivant. | | | | | | | | | | | | | | | | | | | | | | | | |
| b. 40 | VALEUR DE LA PIÈCE 1 | | | | | | | | | | | | | | | | | | | | | | | | |
| b. 05 | Ceci représente la valeur de la pièce 1, en multiples de 0,05 \$: 05 = 0,25 \$. Par des pressions sur le bouton HOT, on peut sélectionner une valeur de 1 à 199 (multiples de 0,05 \$). Avec la glissière à pièces activée, ceci représente le prix de vente total en pièces de 5 cents. Exemple : b.40 est égal à 2 \$. → Appuyer une fois sur le bouton WARM pour passer au code suivant. | | | | | | | | | | | | | | | | | | | | | | | | |
| C. 20 | VALEUR DE LA PIÈCE 2 | | | | | | | | | | | | | | | | | | | | | | | | |
| C. 20 | Ceci représente la valeur de la pièce 2, en multiples de 0,05 \$: 20 = 1,00 \$. | | | | | | | | | | | | | | | | | | | | | | | | |
| C. 05 | Par des pressions sur le bouton HOT, on peut sélectionner une valeur de 1 à 199 (multiples de 0,05 \$). → Appuyer une fois sur le bouton WARM pour passer au code suivant. | | | | | | | | | | | | | | | | | | | | | | | | |

| CODE | EXPLICATION | CODE | EXPLICATION |
|-------|--|-------|---|
| d. 00 | OPTION GLISSIÈRE À PIÈCES Cette option peut être SÉLECTIONNÉE ('ON') ou PAS SÉLECTIONNÉE ('OFF'). Le boîtier du compteur doit être replacé pour le montage de la glissière à pièces. | h. 01 | Ceci représente l'option super programme/ amélioration. Appuyer sur la touche HOT pour sélectionner l'un des 3 niveaux d'amélioration : 01 – lavage amélioré, avec 3 minutes additionnelles de lavage/culbutage en plus de la durée programmée. 02 – rinçage additionnel pour tous les programmes. 03 – 01 + 02. → Appuyer une fois sur la touche WARM pour passer au code suivant. |
| d. 00 | Pas sélectionnée ('OFF'). | J Cd | OPTION PIÈCES/DÉBIT |
| d. CS | Option sélectionnée ('ON'). REMARQUE : Cette option devrait être réglée à '00' à moins que le boîtier du compteur ait été changé pour un dispositif de glissière à pièces. Appuyer 3 fois consécutives sur le bouton COLD pour cette sélection. Lorsqu'on sélectionne le mode de glissière à pièces, sélectionner une valeur 'b.' égale à la valeur du prix d'utilisation, en multiples de 0,05 \$. Pour le nombre de manoeuvres de la glissière d'introduction des pièces, sélectionner '6.XX' (PRIX DU PROGRAMME RÉGULIER) et '3.XX' (PRIX DU PROGRAMME SPÉCIAL). REMARQUE : Si l'installateur sélectionne le paramétrage 'CS' sur un modèle à pièces, la laveuse n'enregistrera pas les pièces insérées. → Appuyer une fois sur le bouton WARM pour passer au code suivant. | J. Cd | Sélection du paiement par pièces et par carte de débit. Appuyer 3 fois consécutives sur le bouton COLD pour cette sélection (défaut pour les modèles 9150). |
| E. 00 | OPTION ADDITION DE PIÈCES Cette option peut être SÉLECTIONNÉE ('ON') ou PAS SÉLECTIONNÉE ('OFF'). Cette option commande l'affichage du nombre de pièces (pièce 1) à insérer, plutôt que d'un montant monétaire. | J. C_ | Paiement par pièces sélectionné; paiement par carte de débit désactivé. Appuyer 3 fois consécutives sur le bouton COLD pour cette sélection. |
| E. 00 | Pas sélectionnée ('OFF'). | J. _d | Mode carte de débit sélectionné, mode pièces désactivé. Appuyer trois fois de suite sur le bouton COLD pour cette sélection (défaut pour les modèles 9160). |
| E. AC | Option sélectionnée ('ON'). Appuyer 3 fois consécutives sur le bouton COLD pour cette sélection. MODÈLES PR SEULEMENT : Si le mode de paiement amélioré par débit est utilisé, cette option ne peut pas être sélectionnée. → Appuyer une fois sur le bouton WARM pour passer au code suivant. | J. Ed | L'option de paiement améliorée/carte de débit est auto-sélectionnée lors de l'installation d'un lecteur de carte Génération 2 sur la laveuse. On ne peut sélectionner/désélectionner manuellement l'option Ed. → Appuyer une fois sur le bouton WARM pour passer au code suivant. |
| F. 00 | OPTION TARIFICATION AMÉLIORÉE | L. 00 | OPTION SUPPRESSION DU PRIX Cette option peut être SÉLECTIONNÉE ('ON') ou PAS SÉLECTIONNÉE ('OFF'). Lorsque cette option est sélectionnée, l'afficheur présente le message 'ADD' (ajouter) ou 'AVAILABLE' (disponible) plutôt que le montant monétaire à ajouter (utilisation principalement avec l'emploi du paiement par carte de débit). |
| F. 00 | Pas sélectionnée ('OFF'). | L. 00 | Pas sélectionnée ('OFF'). |
| F. SU | Programme super-tarification activé. Cette option permet au client d'ajouter de l'argent pour réhausser sa sélection. Les codes de paramétrage 'H' et 'h.' ne s'affichent que si cette option a été préalablement activée. Appuyer sur la touche COLD pour cette sélection. → Appuyer une fois sur la touche WARM pour passer au code suivant. | L. PS | Option sélectionnée ('ON'). Appuyer une fois sur le bouton COLD pour cette sélection. → Appuyer une fois sur le bouton WARM pour passer au code suivant. |
| H. 01 | PROGRAMME SUPER-TARIFICATION/ AMÉLIORATION (Omis, sauf si le programme super-tarification est activé.) | n. CE | OPTION EFFACEMENT DU MONTANT MÉMORISÉ Lorsque cette option est sélectionnée, un montant conservé en mémoire est effacé après 30 minutes sans autre activité. |
| H. 01 | Ceci représente le nombre de pièces 1 nécessaires pour l'accès au super programme à partir du programme de base. Utiliser la touche HOT pour sélectionner une valeur de 0 à 33. → Appuyer une fois sur la touche WARM pour passer au code suivant. | n. 00 | Pas sélectionnée ('OFF'). |
| h. 01 | TYPE DE SUPER PROGRAMME (Omis, sauf si le programme super-tarification est activé.) | n. CE | Sélectionnée ('ON'). Appuyer une fois sur le bouton COLD pour cette option. → Appuyer une fois sur le bouton WARM pour passer au code suivant. |
| | | U. 00 | INCRÉMENT CENTIME |
| | | U. 00 | Ceci représente la valeur de l'incrément de prix utilisé avec un lecteur de carte Génération 2 (paiement par carte de débit/amélioration). Appuyer sur le bouton HOT pour sélectionner une valeur de 0 à 4 centimes. → Appuyer une fois sur le bouton WARM pour passer au code suivant. |

| | |
|--------|---|
| A1. 00 | DURÉE DE PRÉLAVAGE |
| A1. 00 | Ceci correspond au nombre de minutes de la période de PRÉLAVAGE. Sélectionner 0 pour désactiver le pré lavage ou sélectionner entre 2 et 7 minutes en appuyant sur le bouton HOT. |
| → | Appuyer une fois sur le bouton WARM pour passer au code suivant. |

Si le compteur de programme (9 0C) est sélectionné, ce qui suit est vrai :

| | | | | |
|------|------------------------------------|------|---|-----|
| 1 00 | Nombre de programmes, en CENTAINES | 1 02 | = | 200 |
| 2 00 | Nombre de programmes, en UNITÉS | 2 25 | = | 25 |

TOTAL PROGRAMMES = 225

Cette information est "SEULEMENT AFFICHÉE"; on ne peut l'effacer.

Appuyer une fois sur le bouton WARM pour passer au code suivant.

Si le compteur monétaire (1.0C ou 1.C0) est sélectionné, ce qui suit est vrai :

| | | | | |
|------|--------------------------------|------|---|-----------|
| 3 00 | Nombre de pièces, en CENTAINES | 3 01 | = | \$ 100,00 |
| 4 00 | Nombre de pièces, en UNITES | 4 68 | = | \$ 68,00 |
| 5 00 | Nombre de CENTIÈMES | 5 75 | = | \$ 0,75 |

TOTAL = \$ 168,75

FIN DES PROCÉDURES DE PARAMETRAGE

POUR QUITTER LE MODE DE PARAMETRAGE

Modèles CHW9150 :

Réinstaller la porte d'accès.

Modèles CHW9160 :

1. Débrancher la laveuse ou déconnecter la source de courant électrique.
2. Ouvrir la console, réinsérer la fiche dans le connecteur AA1 et fermer la console.
3. Brancher la laveuse ou reconnecter la source de courant électrique.

LE MODÈLE CHW9150 EST PARAMÉTRÉ COMME UNE LAVEUSE D'EXPORTATION PN AVEC UN COMMUTATEUR DE PROGRAMMATION

Tourner la clé dans le sens horaire et la retirer.

LE MODÈLE CHW9160 EST PARAMÉTRÉ COMME UNE LAVEUSE D'EXPORTATION PN SANS UN COMMUTATEUR DE PROGRAMMATION

Pour quitter le mode de paramétrage, suivre les procédures dans la section "Code d'accès pour entretien".

CODE D'ACCÈS POUR ENTRETIEN

Ce code peut être entré pour accéder au mode d'entretien sans retirer la console. Il fonctionne uniquement sur les laveuses paramétrés pour un prix de vente de 0 sans paramétrage pour tarification spéciale, et l'option de pièces/carte de débit doit être réglée à "J_d". Si la laveuse n'est pas au mode d'échec, la porte doit être ouverte pour pouvoir poursuivre. La section Code d'accès pour entretien contient 4 étapes. Exécuter les étapes suivantes :

1. Appuyer sur le bouton de gauche supérieur.
2. Appuyer sur le bouton de droite inférieur.
3. Appuyer sur le bouton de droite supérieur.
4. Appuyer sur le bouton de gauche inférieur.

REMARQUE : Si la procédure du code d'accès pour entretien n'est pas effectuée correctement tel qu'indiqué ci-dessus, un délai de 15 secondes s'écoulera avant que l'on puisse retenter la manœuvre.

Il existe 3 façons de quitter le mode d'entretien :

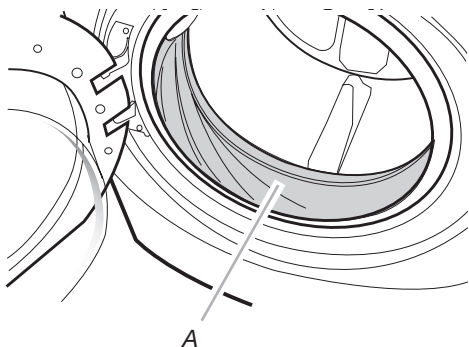
1. À partir du code de paramétrage 8, appuyer sur le bouton n°1 pendant 4 secondes.
2. Attendre 2 minutes sans bouton aucun bouton (sans qu'aucun mode de diagnostic ne soit activé).
3. Couper l'alimentation électrique de la laveuse, puis rétablir l'alimentation électrique.

ENTRETIEN DE LA LAVEUSE

Nettoyage de la laveuse

Nettoyage du joint/soufflet de la porte

1. Ouvrir la porte de la laveuse et retirer tout vêtement ou article de la laveuse.
2. Examiner la porte en verre intérieure. Si les débris sont présents, effacer les débris en utilisant un chiffon humide.
3. Examiner le joint/soufflet coloré entre l'ouverture de la porte et le tambour pour déceler des zones tachées. Tirer sur le joint/soufflet pour examiner toutes les zones sous le joint/soufflet et voir s'il n'y a pas d'objets étrangers.



A. Joint/soufflet

4. Si des zones tachées sont décelées, essuyer ces zones en respectant la procédure indiquée ci-dessous :
 - a) Mélanger une solution diluée en utilisant $\frac{3}{4}$ de tasse (177 mL) d'agent de blanchiment au chlore liquide et 1 gal. (3,8 L) d'eau tiède du robinet.
 - b) Essuyer la zone du joint/soufflet avec la solution diluée, en utilisant un chiffon humide.
 - c) Laisser agir pendant 5 minutes.
 - d) Essuyer la zone complètement avec un chiffon sec et laisser l'intérieur de la laveuse sécher avec la porte ouverte.

IMPORTANT :

- Porter des gants en caoutchouc en cas de nettoyage pendant une période prolongée.
- Consulter les instructions du fabricant de l'agent de blanchiment pour une utilisation correcte.

Procédure d'entretien de la laveuse

Cette laveuse comporte un programme spécial qui utilise des volumes d'eau plus importants en combinaison avec un agent de blanchiment au chlore liquide pour nettoyer en profondeur l'intérieur de la laveuse.

REMARQUES :

- Lire ces instructions complètement avant de débiter la procédure de nettoyage.
- Si nécessaire, le programme de nettoyage peut être interrompu en appuyant deux fois sur le bouton COLD. Cependant, ceci n'arrêtera pas immédiatement le programme. La laveuse poursuivra avec plusieurs rinçages et vidanges afin d'évacuer toute trace d'agent de blanchiment de la laveuse.

Début de la procédure

1. Ouvrir la porte de la laveuse et retirer tout vêtement ou article de la laveuse.
2. **Utiliser un agent de blanchiment liquide :**
Ouvrir le tiroir distributeur et ajouter immédiatement $\frac{2}{3}$ de tasse (160 mL) d'agent de blanchiment liquide au chlore dans le compartiment d'agent de blanchiment.
REMARQUE : Ne pas verser de détergent pour ce programme. L'utilisation de plus de $\frac{2}{3}$ de tasse (160 mL) d'agent de blanchiment occasionnera, avec le temps, des dommages au produit.
3. Fermer la porte de la laveuse et le tiroir distributeur.
4. Pour mettre en marche le programme de nettoyage de la laveuse entrer d'abord dans "Paramétrage pour mise en marche". Puis appuyer sans relâcher sur COLD pendant 1 seconde. Alors que l'ensemble de l'affichage clignote, appuyer sur COLORS/DELICATES.
REMARQUE : Le tambour pivote, la porte se déverrouille, se verrouille à nouveau et ensuite le programme se poursuit.
 - La laveuse ne se remplit pas d'eau mais le tambour tourne alors que la laveuse effectue un court programme de détection. Ceci prend environ 3 minutes.
5. Le programme détermine si des vêtements ou d'autres articles se trouvent dans la laveuse.
 - a) Si aucun article n'est détecté dans la laveuse, il passe à l'étape 7.
 - b) Si des articles sont détectés dans la laveuse, "rL" (enlever la charge) ou "F-34" s'affiche. Ensuite la porte se déverrouille.
 - Appuyer sur COLD pour annuler le code de défaillance. Puis répéter les étapes 1, 3 et 4 pour remettre le programme en marche.
6. Une fois que le programme a commencé, laisser le programme s'achever.
7. À la fin du programme, laisser la porte légèrement ouverte, pour permettre une meilleure ventilation et le séchage de l'intérieur de la laveuse.

Toujours suivre la procédure qui suit pour préserver la fraîcheur de la laveuse :

- Utiliser uniquement un détergent Haute efficacité "HE".
- Laisser la porte légèrement ouverte après chaque programme pour permettre une meilleure ventilation et le séchage de l'intérieur de la laveuse.
- Nettoyer la laveuse chaque mois selon la Procédure d'entretien de la laveuse, en utilisant $\frac{2}{3}$ de tasse (160 mL) d'agent de blanchiment au chlore liquide.
- Si la procédure ne permet pas de remédier suffisamment aux problèmes de fraîcheur de la laveuse, veuillez examiner les conditions d'installation et d'utilisation pour déceler d'autres causes.

Nettoyage de l'extérieur

Utiliser une éponge ou un chiffon doux humide pour essuyer les renversements. Essuyer occasionnellement les surfaces externes de la laveuse pour maintenir son apparence d'appareil neuf. Utiliser un savon doux et de l'eau. Ne pas utiliser des produits abrasifs.

Nettoyage du tiroir distributeur

Le tiroir distributeur est amovible pour faciliter le nettoyage.

1. Déverrouiller le tiroir distributeur en appuyant sur le levier de dégagement. Retirer le tiroir.
2. Oter les pièces incluses (le siphon des compartiments de l'assouplissant de tissu et de l'agent de blanchiment).
3. Laver les pièces sous l'eau du robinet.

REMARQUE : Ne pas laver les composants au lave-vaisselle.

4. Réinstaller les pièces incluses et remettre le distributeur dans le tiroir.

Tuyaux d'arrivée d'eau

Remplacer les tuyaux d'arrivée d'eau après 5 ans d'utilisation pour réduire le risque de défaillance des tuyaux. Inspecter périodiquement les tuyaux; les remplacer en cas de renflement, de déformation, de coupure, et d'usure ou si une fuite se manifeste.

Lorsque vous remplacez les tuyaux d'arrivée d'eau, noter la date de remplacement au marqueur indélébile sur l'étiquette.

ASSISTANCE OU SERVICE

Si vous avez besoin d'assistance :

Contactez le distributeur auprès duquel la laveuse a été achetée ou identifier un distributeur d'appareils de buanderie commerciaux de Whirlpool agréé; consulter également www.whirlpoolcommerciallaundry.com.

Lors de l'appel, vous aurez besoin des numéros de modèle et de série de la laveuse. Vous trouverez ces deux numéros sur la plaque signalétique située sur la laveuse.

NOTES

GARANTIE LIMITÉE POUR LES PRODUITS DE BUANDERIE COMMERCIAUX WHIRLPOOL®

SI VOUS AVEZ BESOIN DE SERVICE :

Communiquer avec votre distributeur de produits de buanderie commerciaux Whirlpool® autorisé. Pour savoir où se trouve le distributeur de produits de buanderie commerciaux Whirlpool® autorisé le plus près de chez vous, visiter le www.WhirlpoolCommercialLaundry.com.

Pour les correspondances écrites :

Whirlpool® Commercial Laundry Service Department
2000 N M 63
Benton Harbor, Michigan 49022-2632 USA

GARANTIE LIMITÉE DE 90 JOURS

CE QUI EST COUVERT

GARANTIE LIMITÉE DE 90 JOURS (PIÈCES ET MAIN-D'OEUVRE)

Pendant 90 jours à compter de la date d'achat d'origine, lorsque cet appareil ménager à usage commercial est installé, entretenu et utilisé conformément aux instructions jointes à ou fournies avec le produit, Whirlpool Corporation (ci-après désignée "Whirlpool") paiera pour la main d'œuvre et les pièces de rechange spécifiées par l'usine pour corriger les vices de matériaux ou de fabrication qui existaient déjà lorsque cet appareil ménager à usage commercial a été acheté.

GARANTIE LIMITÉE DE DEUX ANS (PIÈCES UNIQUEMENT)

Pendant les deux premières années à compter de la date d'achat d'origine, lorsque cet appareil ménager à usage commercial est installé, utilisé et entretenu conformément aux instructions jointes à ou fournies avec le produit, Whirlpool paiera pour les pièces de rechange spécifiées par l'usine pour corriger les vices de matériaux ou de fabrication qui existaient déjà lorsque cet appareil ménager à usage commercial a été acheté.

VOTRE SEUL ET EXCLUSIF RECOURS DANS LE CADRE DE LA PRÉSENTE GARANTIE LIMITÉE CONSISTE EN LA RÉPARATION PRÉVUE CI-DESSUS. Whirlpool recommande que l'utilisateur emploie les services d'un dépanneur "intra-réseau" pour diagnostiquer la panne et réparer le produit de buanderie à usage commercial concerné. Dans le cadre de la présente garantie, Whirlpool ne sera pas responsable de l'octroi de pièces de rechange supplémentaires suite à un diagnostic erroné ou à une réparation effectuée par un dépanneur "hors réseau". Cette garantie limitée est valide aux États-Unis ou au Canada et s'applique exclusivement lorsque l'appareil commercial est utilisé dans le pays où il a été acheté. La présente garantie limitée est valable à compter de la date d'achat initial par le consommateur. Une preuve de la date d'achat initial est exigée pour obtenir un dépannage dans le cadre de la présente garantie limitée.

CE QUI N'EST PAS COUVERT

1. Tous les autres coûts, y compris les frais de main-d'œuvre, de transport, d'expédition ou de droits de douane pour les pièces couvertes.
 2. Les pièces de rechange spécifiées par l'usine lorsque cet appareil ménager à usage commercial est utilisé à des fins autres qu'un usage commercial normal ou lorsque les instructions d'installation ou les instructions fournies à l'opérateur ou l'utilisateur ne sont pas respectées.
 3. Les visites de service pour rectifier l'installation de l'appareil ménager à usage commercial, montrer à l'utilisateur comment utiliser l'appareil ménager à usage commercial, remplacer ou réparer des fusibles ou rectifier le câblage ou la plomberie externe.
 4. Les interventions de dépannage pour réparer ou remplacer les ampoules électriques, filtres à air ou filtres à eau de l'appareil. Les pièces consommables ne sont pas couvertes par la garantie.
 5. Les dommages imputables à : mauvaise manipulation du produit lors de la livraison, vol, accident, modification, usage impropre ou abusif, incendie, inondation, actes de Dieu, installation fautive ou installation non conforme aux codes locaux d'électricité ou de plomberie ou l'utilisation de produits non approuvés par Whirlpool.
 6. Enlèvement et livraison. Cet appareil ménager à usage commercial est conçu pour être réparé sur site.
 7. Les réparations aux pièces ou systèmes résultant d'une modification non autorisée faite à l'appareil commercial.
 8. L'enlèvement et la réinstallation de votre appareil commercial si celui-ci est installé dans un endroit inaccessible ou n'est pas installé conformément aux instructions d'installation fournies.
 9. Dommages entraînés par l'exposition du produit à des produits chimiques.
 10. Des modifications apportées à l'immeuble, à la pièce ou aux lieux afin de permettre à l'appareil ménager à usage commercial de fonctionner correctement.
 11. Les pièces de rechange spécifiées par l'usine pour les appareils commerciaux dont les numéros de série et de modèle originaux ont été enlevés, modifiés ou qui ne peuvent pas être facilement identifiés.
 12. La décoloration, la rouille ou l'oxydation des surfaces en acier inoxydable.
 13. Les pièces de rechange spécifiées par l'usine suite à un diagnostic erroné ou à une réparation effectuée par un service de dépannage "hors réseau".
- Le coût d'une réparation ou d'un remplacement dans le cadre de ces circonstances exclues est à la charge du client.**

CLAUSE D'EXONÉRATION DE RESPONSABILITÉ AU TITRE DES GARANTIES IMPLICITES

LES GARANTIES IMPLICITES, Y COMPRIS LES GARANTIES IMPLICITES DE QUALITÉ MARCHANDE OU D'APTITUDE À UN USAGE PARTICULIER, SONT LIMITÉES À DEUX ANS OU À LA PLUS COURTE PÉRIODE AUTORISÉE PAR LA LOI. Certains États et certaines provinces ne permettent pas de limitation sur la durée des garanties implicites, de qualité marchande ou d'aptitude à un usage particulier, de sorte que la limitation ci-dessus peut ne pas être applicable dans votre cas. Cette garantie vous confère des droits juridiques spécifiques et vous pouvez également jouir d'autres droits qui peuvent varier d'une juridiction à l'autre.

EXONÉRATION DE RESPONSABILITÉ DANS LES DOMAINES NON COUVERTS PAR LA GARANTIE

Whirlpool décline toute responsabilité au titre de la qualité, de la durabilité ou en cas de dépannage ou de réparation nécessaire sur cet appareil ménager autre que les responsabilités énoncées dans la présente garantie. Si vous souhaitez une garantie plus étendue ou plus complète que la garantie limitée fournie avec ce gros appareil ménager, adressez-vous à Whirlpool ou à votre détaillant pour obtenir les modalités d'achat d'une garantie étendue.

LIMITATION DES RECOURS; EXCLUSION DES DOMMAGES FORTUITS OU INDIRECTS

VOTRE SEUL ET EXCLUSIF RECOURS DANS LE CADRE DE LA PRÉSENTE GARANTIE LIMITÉE CONSISTE EN LA RÉPARATION PRÉVUE CI-DESSUS. WHIRLPOOL NE SERA PAS TENUE RESPONSABLE DES DOMMAGES DIRECTS OU INDIRECTS. Certains États et certaines provinces ne permettent pas l'exclusion ou la limitation des dommages fortuits ou indirects de sorte que ces limitations et exclusions peuvent ne pas être applicables dans votre cas. Cette garantie vous confère des droits juridiques spécifiques et vous pouvez également jouir d'autres droits qui peuvent varier d'une juridiction à l'autre.