



One-Piece Toilet

T22183

MFR# OVS-2183



One-Piece High Efficiency Toilet

Model: **T22183**
 MFR# OVS-2183



Features:

- 1.28 GPF (4.8 lpf) High Efficiency Toilet.
- ADA Elongated Bowl and Seat.
- 12" Rough-in.
- 3" Flush Valve.
- Floor Mounted.
- Slow Close Seat Included.
- Wax Ring, Flange Bolts & Caps Included.
- Front View Concealment of angle-stop.

Codes/Standards:

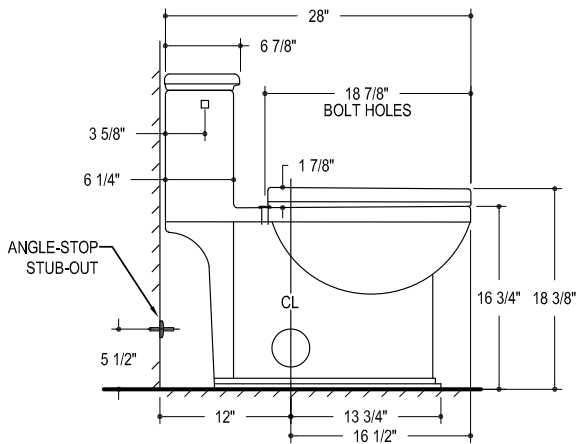
- ASME A112.19.2/CSA B45.1
- IAPMO(cUPC)
- EPA Watersense
- California Green Building Code Chap. 5, Div 5.3.
- ADA
- IAPMO Z124.5. (Seat)

To Be Specified:	
<input type="checkbox"/>	Color:
<input type="checkbox"/>	Seat:
<input type="checkbox"/>	Supply with Angle-Stop:

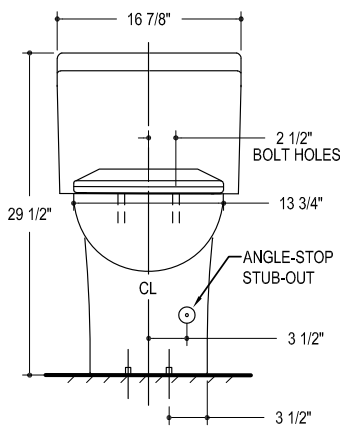
Installation Notes:

- For back-to-back toilet installations use a 45° double wye fitting.
- For concealment of water supply angle-stop behind toilet, suggest placement no more than 4-1/2" from centerline.
- Water closet waste shall not drain into a grease interceptor.
- A sump pump installed downstream of this toilet shall have a minimum discharge pipe of 2".
- Local codes may require public installed toilets to have an open front type seat or an automatic seat cover dispenser.
- In non dwelling units, toilet rooms containing two or more water closets or a combination of one water closet and one urinal may require a floor drain.
- Toilet shall be set level and in proper alignment with reference to adjacent walls, and shall not be set closer than 15 inches (381 mm) from its center to a side wall or obstruction nor closer than 30 inches (762mm) center to center to a similar fixture.
- Fixture connection between drainage pipe and water closet shall be made by means of code approved flange. The toilet shall be rigidly secured and bolted down with an approved setting compound (provided wax ring) between the fixture and the connection. The flange bottom shall be set on an approved firm base.

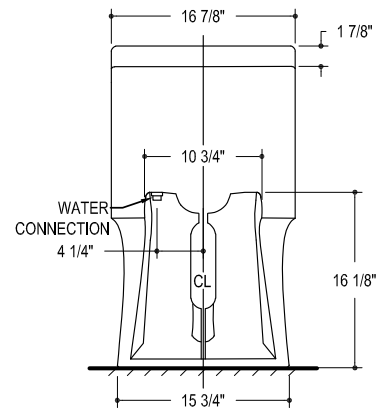
NOTE: DISTANCE FROM WALL TO CLOSET FLANGE CENTERLINE SHOULD BE AS 12" AS SHOWN BELOW.



SIDE VIEW



FRONT VIEW



BACK VIEW

*SPEC SHEET CONTAIN ROUGH-IN MEASUREMENTS WHICH MAY VARY BY 1/4" (+/-) AND ARE SUBJECT TO STANDARD INDUSTRY TOLERANCES. SPECS MAY CHANGE WITHOUT PRIOR NOTICE, PLEASE CHECK WITH YOUR SALES REP FOR MOST UP TO DATE SPEC SHEET.