



Two-Piece ADA Elongated
Dual Flush Toilet

T3511D

TB3511 Bowl + TK3512D Tank

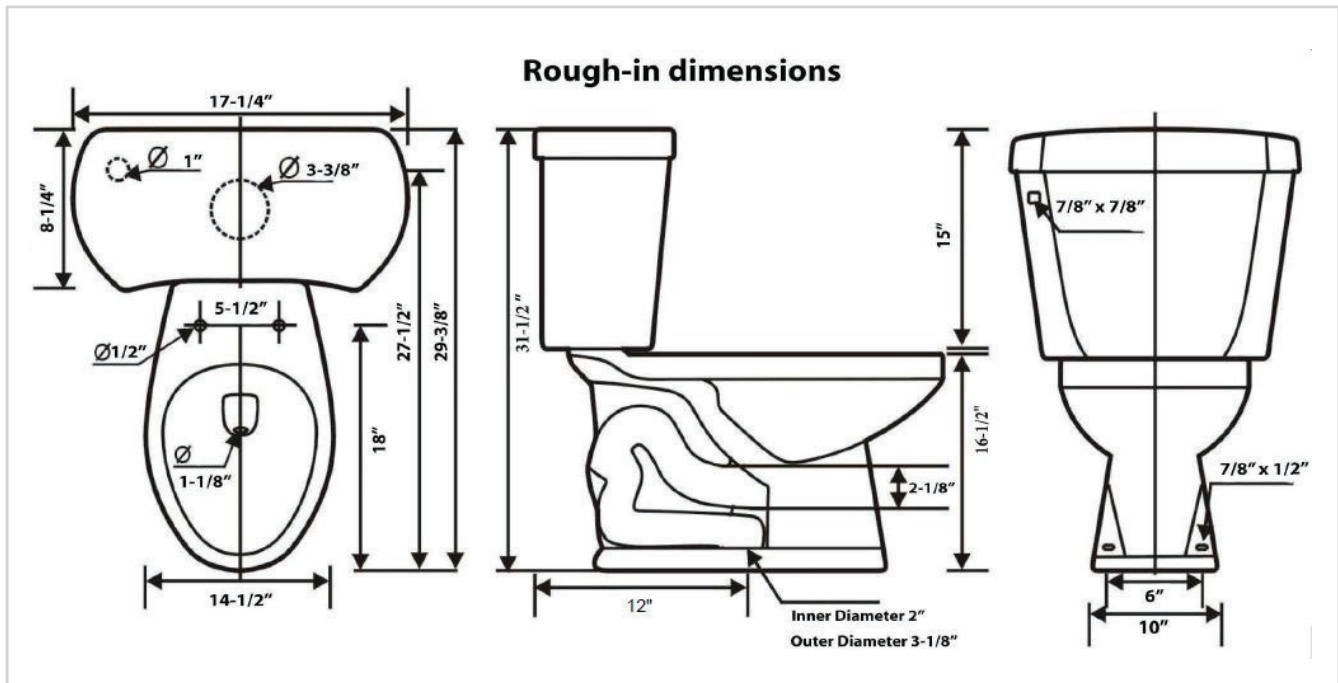


Two-Piece ADA Elongated Dual Flush Toilet **T3511D**

Features

- 1.0/1.6 GPF Dual Flush
- ADA Elongated
- 12" Rough-In
- 3" Flush Valve, Floor Mounted
- Right Hand Trip Lever Available
- MaP Flush Score >= 1,000 grams
- IAPMO/UPC Certified
- TB3511 Bowl + TK3512D Tank

* Toilet Seat and Wax Ring Not Included



- Spec sheets contain rough-in measurements which may vary by 1/4" (±) and are subject to standard industry tolerances.
- Specs may change without prior notice, please check with your sales rep for most up to date spec sheet.

To Be Specified:

- Color:
- Seat:
- Supply with Stop:

This space for Architecture/Engineer approval