

**9-12-Foot Ceilings Chimney Extension Kit for
Masterpiece® Chimney Drawer Hood
CHXTHDDW**



Product Features

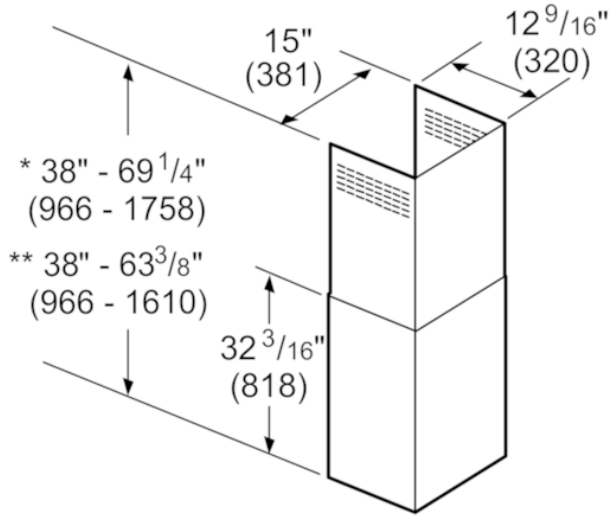


Notes: Please refer to installation instructions. Installation instructions are available at www.thermador.com. Specifications are correct at the time of printing. Thermador reserves the right to change product specifications and design at any time, without notice.

1 800 735 4328 | WWW.THERMADOR.COM | 1901 Main Street, Suite 600 Irvine, CA 92614

©2020 BSH HOME APPLIANCES CORPORATION, ALL RIGHTS RESERVED LITHO DATE: 05/2020

**9-12-Foot Ceilings Chimney Extension Kit for
Masterpiece® Chimney Drawer Hood
CHXTHDDW**



- * Recirculating installation
- ** Ducted installation

measurements in inches (mm)

Product Features

Product group	Accessory
Brand	Thermador
SKU	CHXTHDDW
Internal article number	00000000000718483
EAN code	825225956266
Product packaging dimensions (HxWxD) (in)	15 3/8" x 45 5/8" x 18 1/2"
Net weight (lbs)	26
Gross weight (lbs)	29
UPC code	825225956266
Name of product image	MCSA02757572_IMG_20180601_CHXTHDDW_d

Technical Specification

Notes: Please refer to installation instructions. Installation instructions are available at www.thermador.com. Specifications are correct at the time of printing. Thermador reserves the right to change product specifications and design at any time, without notice.

1 800 735 4328 | WWW.THERMADOR.COM | 1901 Main Street, Suite 600 Irvine, CA 92614

©2020 BSH HOME APPLIANCES CORPORATION, ALL RIGHTS RESERVED LITHO DATE: 05/2020