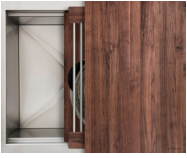


Ideal Workstation. 2C

SPECIFICATIONS

IWS-2-C-WA



American Black Walnut

IWS-2-C-GT



Graphite Wood Composite

IWS-2-C-BA



Natural Golden Bamboo

IWS-2-C-GR



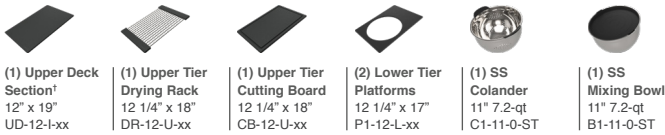
Exclusive Gray Resin*

IWS-2-C-WH



Designer White Resin*

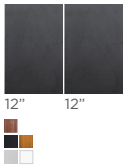
Culinary Tools included (CKT-12)



† The Upper Deck requires a 1/4" clearance below the surface of the countertop. If the countertop thickness is 3/4" or less, Walnut or Bamboo Upper Deck sections will not have the clearance to function above the Upper Tier Culinary Tools.

Upper Deck.

Cover set **UD-2-2P-WA/GT/BA/GR/WH** Walnut, Graphite, Bamboo, Gray or White Resin



Sections Walnut, Graphite, Bamboo, Gray or White Resin



Specifications

Single bowl
Users: 1
Culinary Tools included: Five
Galley BarTap, recommended: One
Outside dimensions: 22" x 19 1/2" x 10 5/16"
Interior dimensions: 20 1/2" x 17" x 10"
Countertop cutout: 21" x 18"
Basin area: 20 1/2" x 16"
Minimum cabinet size: 24" or 60cm

Basin (KSO-2-C-SS)

16GA 316L stainless steel indoor/outdoor
SilentArmor™ sound reduction technology
Angel finish
Three tier design
Star™ groove pattern
Center drain
Drain cover included
Limited Lifetime Warranty
Made in the USA
ASME A112.19.3/CSA B45.4 certified
cUPC™ certified

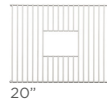
Customize Your Galley

Add 7-12" length
Add 1-6" length
Add 18" DryDock
Add 12" DryDock
Apron front

9" depth
ThinTop™
WorkTop™
*Color coded labels available

Recommended Basin Accessories & citrine.

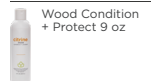
Bottom Grate set **BG-2-C-1-SS** Stainless Steel



CIT-09-SS-C



CIT-09-WD-C



CIT-04-WD-B



Strainer **M-DRN-MSS**
Angel Finish 304 Stainless Steel



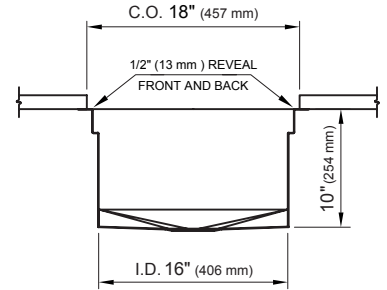
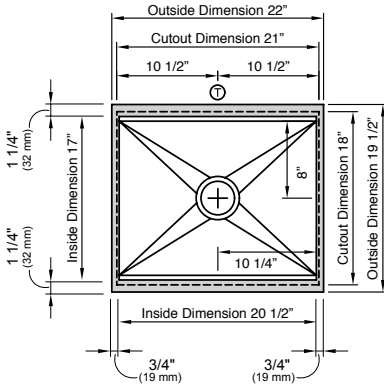
Disposal Strainer **G-DRN-MSS**
Angel Finish 304 Stainless Steel



Auto Strainer Angel Finish 304 Stainless Steel with Polished or Matte knob



Tap Hole Specifications



SUGGESTED GALLEY TAP PLACEMENT GUIDE

Suggested maximum inside corner radius of countertop cutout 3/8"

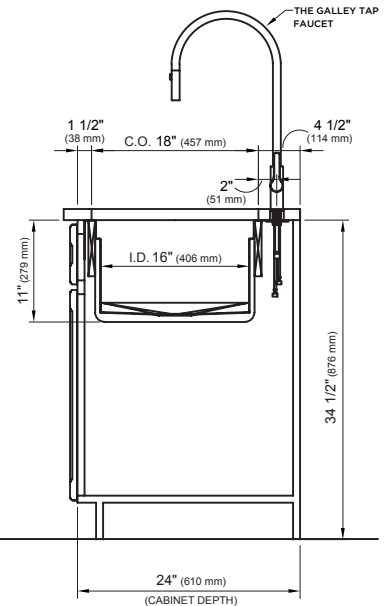
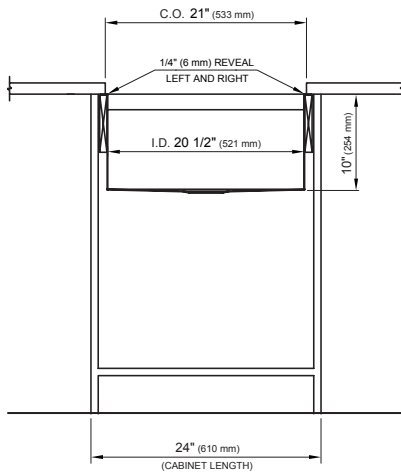
① Galley Bar Tap- 1 3/8" min to 1 1/2" max hole diameter

Center Tap hole diameters 2" behind cutout

Note: Galley Hot & Cold Tap requires a minimum 8" clearance to center if installed to the right of the Galley Tap

Call 800.375.4255 or email customercare@thegalley.com for additional guidance on Tap and Tap Accessory placements

Countertop Cutout Plan



STAINLESS STEEL COMPLIANCE ASME A112. 19.3-2008/CSA B45.4-08

WE RESERVE THE RIGHT TO MAKE REVISIONS WITHOUT NOTICE IN THE DESIGN OF PRODUCTS OR IN PACKAGING UNLESS THIS RIGHT HAS SPECIFICALLY BEEN WAIVED AT THE TIME THE ORDER IS ACCEPTED.

DWG and DXF templates available on our website:

TheGalley.com/specification-library

Questions? For additional assistance, please contact
The Galley's Customer Care Department at 800.375.4255