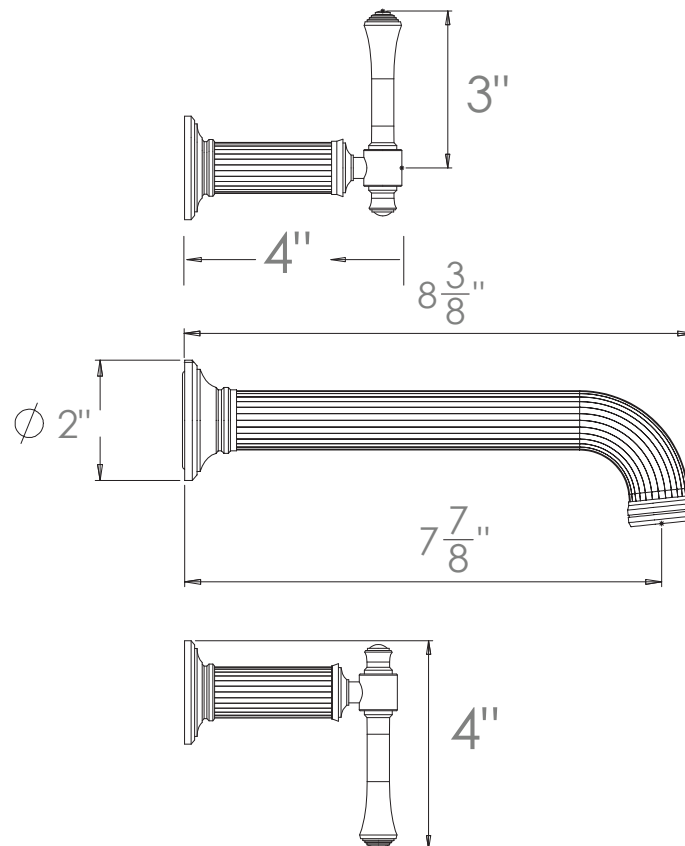


PRODUCT SPECIFICATION SHEET

ITEM # 3429AT-TM Wall mount widespread lavatory set

- "AT" style handles
- Solid brass
- 1.2 GPM (CALGreen Compliant)
- VALVES NOT INCLUDED
- USE SA-CORNER-SET
- DRAIN ASSEMBLY NOT INCLUDED
- Pre-assembled handles
- 22 finishes available



The measurements shown are for reference only. Products and specifications shown are subject to change without notice.

www.santecfaucet.com | P: 310.542.0063 F: 310.542.5681