

- LG49-DF2B Finish(B)
- LG49-DF2C Finish(C)
- LG49-DF2K Finish(K)

Specifications

- All Metal Construction
- Pforever Seal

Features

- 1.2 GPM Flow Rate
- All Metal Construction
- Laminar Flow
- Metal Pop-Up Drain
- Pforever Seal Ceramic Disc Valves
- Pforever Warranty®

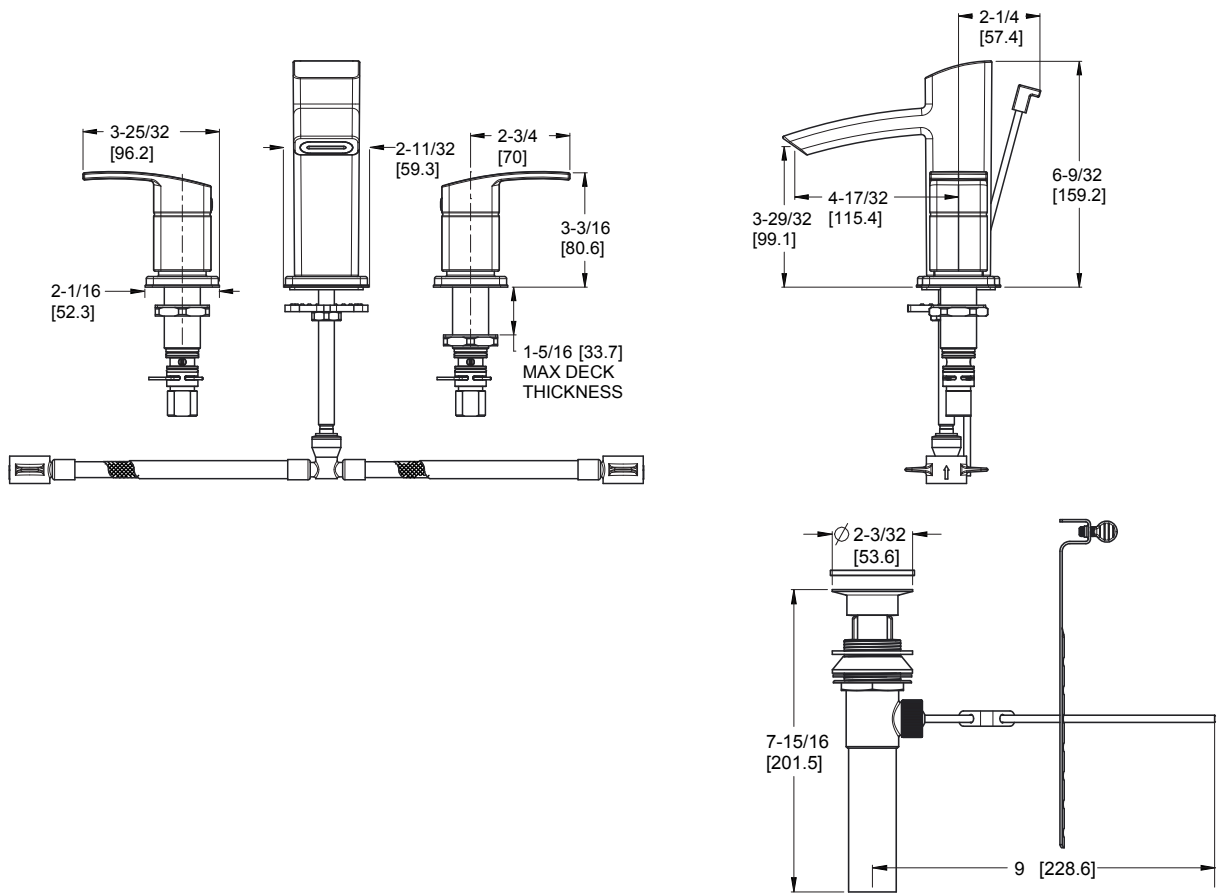
Code Compliance

Pfister products are designed and manufactured in compliance with the following standards and codes:

- IAPMO Certified
- CSA B125 Certified
- ASME A112.18.1
- NSF 61/9 Annex G (Low lead)
- Cal Green Compliant
- EPA WaterSense Certification 1.2 gpm, 4.5L/Min
- CEC Compliant



Dimensions



Ø1-1/4 Min to Ø1-1/2 Max. Deck Hole Openings

Metal Pop-Up Drain