



**15" SIGNATURE SERIES
REFRIGERATED DRAWERS**



ecofriendly
R600a Refrigerant



JOB	
AREA	
ITEM NO.	
MODEL NO.	



Drawer Model

MODELS	DESCRIPTION
HP15RS-4-5	Indoor Signature Series Refrigerated Stainless Steel Drawers
HP15RS-4-6	Indoor Signature Series Refrigerated Panel Ready Drawers
HP15RO-4-5	Outdoor Signature Series Refrigerated Stainless Steel Drawers
HP15RO-4-6	Outdoor Signature Series Refrigerated Panel Ready Drawers

KEY PRODUCT FEATURES AND BENEFITS

- 1000 BTU/hr capacity delivers industry’s most energy efficient cool down, indoors or outdoors
- Up to 70% faster cooling speeds than leading competitor
- Variable speed compressor minimizes sound; up to 30% quieter than competitors
- Commercial-grade all stainless steel interior and exterior provide superior durability and easy cleaning
- Perlick Anti-Condensation System™ eliminates condensation from forming on the cabinet (outdoor models only)

Quick Features:

- Smooth glide self closing drawers offer high storage capacity
- Industry’s best full 6 year warranty for owner ease of mind
- Available with stainless steel or panel ready drawer to match your design style
- Audible door alarm warns user if drawer is held open
- White LED task lighting
- R600a Natural Refrigerant offers maximum energy efficiency with zero global warming potential



**15" SIGNATURE SERIES
REFRIGERATED DRAWERS**

MODEL NUMBERS		HP15RS	HP15RO
MODEL DESCRIPTION		15" Indoor Refrigerated Drawers	15" Outdoor Refrigerated Drawers
ATTRIBUTES			
Perlick Anti-Condensation System		NO	YES
Energy Star Certified		YES	YES
OVERALL DIMENSIONS	Width - in. (mm)	14-7/8" (378 mm.)	14-7/8" (378 mm.)
	Depth - in. (mm)	24" (610 mm.)	24" (610 mm.)
	Height - in. (mm)	34-1/4" (870 mm.)	34-1/4" (870 mm.)
OPENING DIMENSIONS	Width - in. (mm)	15" (381 mm.)	15" (381 mm.)
	Depth - in. (mm)	24-7/8" (632 mm.)	24-7/8" (632 mm.)
	Height - in. (mm)	34-1/2" (876 mm.)	34-1/2" (876 mm.)
INTERNAL VOLUME Net. Cu. Ft. (L)		2.8 cu. ft.	2.8 cu. ft.
SHIPPING WEIGHT Lbs. (kg.)		150 lbs (68.04 kg)	150 lbs (68.04 kg)
ELECTRICAL SPECIFICATIONS	Electrical Supply	115 VAC/60 Hz/1 Ph	115 VAC/60 Hz/1 Ph
	Running Load Amps	2.1 amps	2.1 amps
	Electrical Connection	Cord connected	Cord connected
	Cord Plug Type	NEMA 3 Prong 5-15P	NEMA 3 Prong 5-15P
	Cord Length	6'	6'
	Defrost Initiation	Automatic	Automatic
	Defrost Type	Off cycle	Off cycle
	Thermostat	Digital	Digital
REFRIGERATION SPECIFICATIONS	Lighting Type	LED	LED
	Refrigerant	R600a (38g)	R600a (38g)
	Expansion Device	Capillary Tube	Capillary Tube
	Temperature Settings F (C)	33° (0.5) - 48° (8.8) Factory Set Point 36°(2.2°)	33° (0.5) - 48° (8.8) Factory Set Point 36°(2.2°)
	Heat Rejection (at 75°F)	300 BTU/hr	300 BTU/hr
	Pull Down Capacity	1000 BTU/hr	1000 BTU/hr
Front Vented	Yes	Yes	
PLUMBING		None Required	None Required

Installation Notes: To achieve 24" install depth, you must recess the outlet 7/8" into the wall directly behind the unit, or place electrical connection adjacent to the installation cavity.

ACCESSORIES

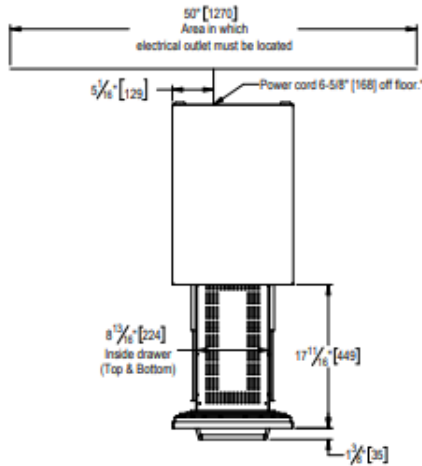
MODEL NOS.	DESCRIPTION
(L)	Factory Installed Lock
67990-L/R	Stacking Kit for HP15 models
66736-15	Caster Kit for HP15 models

Perlick accessories are available for purchase through an authorized Perlick dealer. For a full list of accessories and to find a dealer near you, visit perlick.com

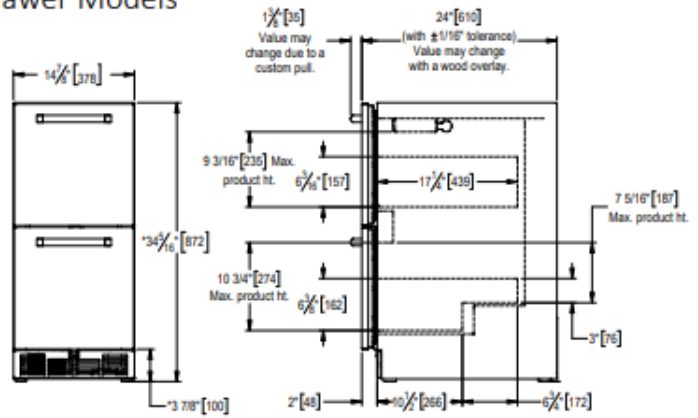


**15" SIGNATURE SERIES
REFRIGERATED DRAWERS**

CUSTOMER MODEL NUMBER	REGULATORY MODEL NUMBER	Hinge Side	Lock
HP15RS-4-5	HP15RS4E-00-EDF0D	Drawers	No
HP15RS-4-6	HP15RS4E-00-DD00D	Drawers	No
HP15RS-4-5DL	HP15RS4E-00-EDFLD	Drawers	Yes
HP15RS-4-6DL	HP15RS4E-00-DD0LD	Drawers	Yes
HP15RO-4-5	HP15RO4E-00-EDF0D	Drawers	No
HP15RO-4-6	HP15RO4E-00-DD00D	Drawers	No
HP15RO-4-5DL	HP15RO4E-00-EDFLD	Drawers	Yes
HP15RO-4-6DL	HP15RO4E-00-DD0LD	Drawers	Yes



Drawer Models



* - Leg leveler can add 3/4" [19] to these dimensions when fully extended.