

Recessed Inlet™

FV-NLF46RES

Specification Submittal Data / Panasonic Recessed Inlet

Description:

Multi-purpose exhaust or supply recessed inlet for use with remote mount in-line fans and HERVs; or as a light only option matching the WhisperRecessed LED™ fan/light. Recessed inlet shall be ceiling mount and certified by the Home Ventilating Institute (HVI). Recessed inlet shall include energy efficient LED lighting, be evaluated by Underwriters Laboratories and conform to both UL and cUL safety standards.

Housing:

- Rust proof epoxy and polyester resin coating, 26 gauge galvanized steel body.
- Integrated dual 4" or 6" diameter duct adapter.
- Metal flange around recessed light aperture helps provide an Air Barrier and assists with the decrease in leakage in the Building Envelope during blower door testing.
- Built in backdraft damper.
- Expandable extension bracket up to 24".
- Double hanger bar system allowing for ideal positioning.



(1) 8 Watt GU24 base LED lamp, /2700 Kelvin Warm White/>92CRI/720 lumens/90 LPW/ ENERGY STAR 2.0 certified, JA-8 compliant for CA Title 24 and Title 20, 25,000 rated average life.

Trim Ring:

- Attractive design using Poly Pro material.
- Attaches directly to housing with torsion springs.

Light (Included):

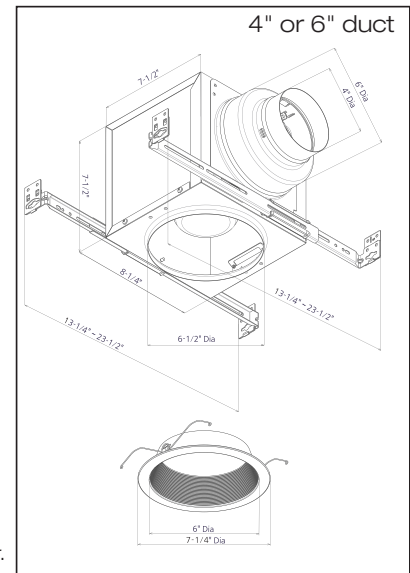
- Includes (1) replaceable, 8W ENERGY STAR 2.0 certified, GU24 base LED lamp, JA-8 compliant for CA Title 24 and Title 20
- 2700 Kelvin Warm White/>92 CRI/720 lumens/ 90 LPW/25,000 hour rated average life.
- LED lamp is dimmable.
- FCC Part 15 compliant.

Warranty:

- ALL Parts: 3 Years from original purchase date.
- LED: 5 years from original purchase date.

Architectural Specifications:

Exhaust or supply recessed inlet shall be ceiling mount. Inlet housing collar opening shall be no less than 6" round, with a trim outer diameter of no less than 7-1/4" round. Power rating shall be 120v/60Hz. Duct diameter shall be no less than 4", inclusive of an integrated dual 4" or 6" duct adapter. Inlet shall be UL and cUL listed for tub/shower enclosure when GFCI protected. Inlet housing shall be Type IC. Inlet can be used to comply with California Title-24. Lamp shall be of the LED type and be no less than (1) 8W, ENERGY STAR 2.0 certified, GU24 base LED lamp, JA-8 compliant for CA Title 24 and Title 20. LED lamp maintains 25,000 hours rated average life.

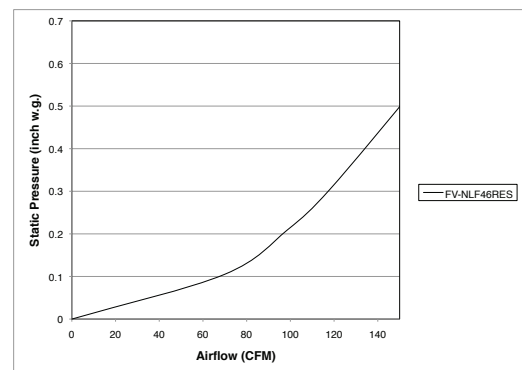


FV-NLF46RES

Dimmer Switch Compatibility				
Brand	Series	Model	Load(LED)	Dimmability
Lutron	Skylark	CTCL-153P	150	OK
	Toggler	TGCL-153P	150	OK
	Diva	DVCL-153P	150	OK
	Maestro	MACL-153M	150	OK
	Ariadni	AYCL-153P	150	OK
Leviton	SureSlide	6674	150	OK

Specifications: Recessed Inlet FV-NLF46RES	4" or 6" Duct
Power Rating (V/Hz)	120/60

Resistance Curve 4" or 6" duct



For complete Installation Instructions visit us.panasonic.com/ventfans

Model	Quantity	Comments	Project:
			Location:
			Architect:
			Engineer:
			Contractor:
			Submitted by:
			Date:

Panasonic Life Solutions Company of America
IAQ Division
 Two Riverfront Plaza
 Newark, NJ 07102

us.panasonic.com/ventfans



Panasonic