

FAIRFIELD

Bridge Style Lavatory Faucet

1000B

Features

- Solid brass construction
- Bridge-style brass valve bodies
- Quarter-turn washerless ceramic disc valve cartridges
- Swivel spout assembly
- Pop-up knob assembly with drain and tailpiece
- 6.29" (16.0 cm) spout height at outlet
- 5.33" [13,5cm] MIN. / 7.21" (18.3 cm) MAX. spout reach (c-c)
- For 8.00" (20.3 cm) centers - Maximum 9.62" (24.9 cm)
- ADA Compliant
- 1.2 GPM (4.5 LPM) Max



Codes / Standards Compliance

Meets or exceeds the following at date of manufacture:

- ASME A112.18.1/CSA B125.1
- IAMPO/cUPC
- NSF/ANSI 61, SECTION 9
- NSF/ANSI 372
- IPC
- ADA & ICC/ANSI A117.1
- Energy Policy Act of 1992
- EPA WaterSense
- California Energy Commission
- All applicable US Federal and State material regulations



Colors / Finishes

- 10B: Oil Rubbed Bronze
- 15: Polished Nickel
- 15S: Satin Nickel - PVD
- 26: Polished Chrome
- Other: Refer to the Newport Brass catalog for additional color/finish options.

Specified Model

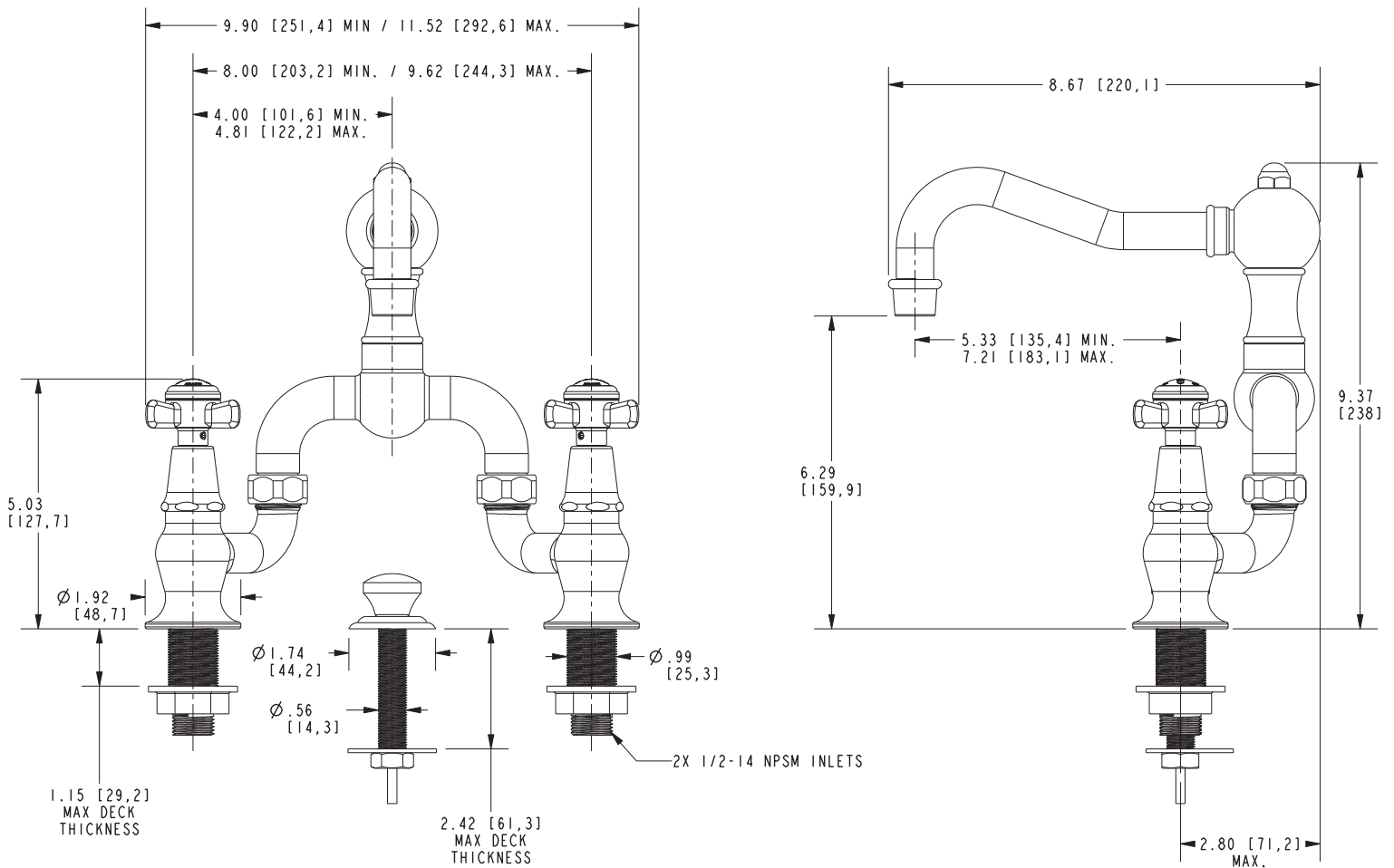
Model	Description	Colors Finishes
1000B	Bridge Style Lavatory Faucet	<input type="checkbox"/> 10B <input type="checkbox"/> 15 <input type="checkbox"/> 15S <input type="checkbox"/> 26 <input type="checkbox"/> Other

Product Specification Add "Color / Finish" suffix to Model number, below.

The Bridge Style Lavatory Faucet shall be made of solid brass construction. Faucet shall feature brass valve bodies with quarter-turn washerless ceramic disc valve cartridges. Faucet shall have a 1.2 gallon (4.5 liter) per minute maximum flow rate. Product shall be for 8.00" (20.3 cm) centers - Maximum 9.62" (24.4 cm). Product shall incorporate a 6.38" (16.2 cm) spout height at outlet and a 5.33" [13,5cm] MIN. / 7.21" (18.3 cm) MAX. spout reach (c-c). Faucet shall include a pop-up knob assembly with drain and tailpiece and incorporate ADA compliant traditional cross handles. Bridge Style Lavatory Faucet shall be Newport Brass Model 1000B/_____.

1000B

PRODUCT DIMENSIONS *(Units are in inches)*



Fairfield Bridge Style Lavatory Faucet 1000B