

42" SLAB Console



Model shown: 9111-S-M38-D4S-D4D-D11D
42" Long SLAB Console, Satin Finish Frame, Blanco Solid Surface Drawers, Configured for a 3-Hole 8" Centerset Faucet Supplied by Customer

- **42" LONG CAST WHITE SOLID SURFACE DECK WITH INTEGRAL BASIN IN STAINLESS STEEL CONSOLE FRAME**
- **BASIN IS INTEGRAL TO WHITE SOLID SURFACE DECK - ENTIRELY CAST IN ONE PIECE OF WHITE-COLORED POLYMER RESIN**
- **STAINLESS STEEL FRAME CONSTRUCTION IN SATIN MIRA (HIGH POLISH)**
- **INTEGRATED OVERFLOW WASTE OUTLET**
- **ADJUSTABLE LEVELERS FOR UNEVEN FLOORS**
- **MATERIAL OF CONSTRUCTION IS FLAME SPREAD AND SMOKE DEVELOPED RATED "CLASS A" PER THE FOLLOWING STANDARDS:**

**ASTM E84-10
UL723
ANSI/NFPA No. 255
UBC No. 8-1**



Member of
U.S. Green
Building
Council



Recyclable
Product

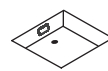
MATERIAL ALSO COMPLIES WITH CANADIAN REQUIREMENTS CANULC-S102 FOR FLAME SPREAD AND SMOKE DEVELOPED.

- **MATERIAL OF CONSTRUCTIONS PHYSICAL PROPRIETIES IN COMPLIANCE WITH:
CSA B45.5/IAPMO Z124
ANSI/APA SS-1**

DESCRIPTION	MODEL/OPTION #
A ORIENTATION - Required Selection INIT.	
<input type="checkbox"/> Console with Integral Basin	9111
42" L x 22" W x 34" H (1067 x 559 x 864 mm) with 14" L x 17" W x 4" H (356 x 432 x 102 mm) Basin	
B FRAME - Required Selection INIT.	
<input type="checkbox"/> Satin Finish (Standard)	-S
<input type="checkbox"/> Mira Finish (High Polish)	-HP
C COUNTER COLOR SELECTION - Req'd Selection INIT.	
Corterra® Solid Surface Color	
Color: _____	
(Refer to https://www.neo-metro.com/luxury-solid-surface for available colors)	

D BASIN SELECTION - Required Selection INIT.

- Square Basin** -BBSQ
14" L x 14" W x 4" H Basin (356 x 356 x 102 mm)
- Oval Basin** -BBOV
14" L x 17" W Basin (356 x 432 mm)
- Round Basin** -BBRD
Ø16" Basin (Ø 406 mm)
- Ramp Basin** -BBRA
14" L x 17" W Basin (356 x 432 mm)
- Rectangular Basin** -3676
33" x 14" Basin (-DBL Not Available) (838 x 356 x 102 mm)



Overflow Waste is Built-in

Specify Plate Finish:

- Satin (Standard)
- High Polish

REQUIRED

Please indicate location of basin:

<input type="checkbox"/> -LH Left Offset	<input type="checkbox"/> -CTR Centered	<input type="checkbox"/> -RH Right Offset

E OPTIONS INIT.

- Optional Storage Shelf**
 Blanco Solid Surface -SWB
- Optional Stainless Steel Towel Bar**
 Satin Finish -TBS
 Mira (high polish) -TBS-HP

F FAUCET CONFIG. - Optional Selection INIT.

- No Faucet Hole** -H0
For wall mounted faucet
- Single Hole** -H1
Ø1-5/16" Centered Hole
- 6" Centerset** -H36
(152 mm)
- 8" Centerset** -H38
(203 mm)

Customer is required to submit Faucet Spec Sheet to confirm compatibility with Neo-Metro's faucet drilling.

G DRAWER CONFIG. - Optional Selection INIT.

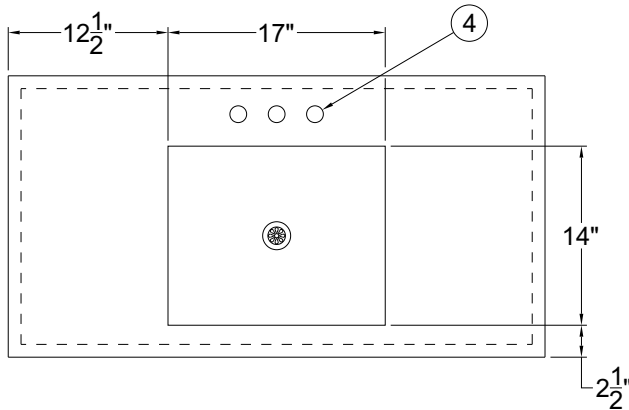
- 4" Short Depth Drawer** -D4S
 Left Side Right Side
- 4" Std. Depth Drawer** -D4D
 Left Side Right Side
- 11-1/2" Std. Depth Drawer** -D11D
 Left Side Right Side

42" SLAB Console

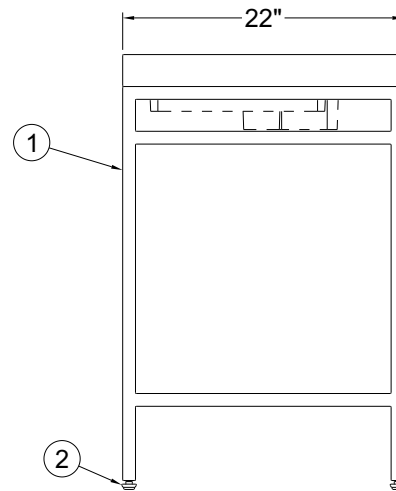
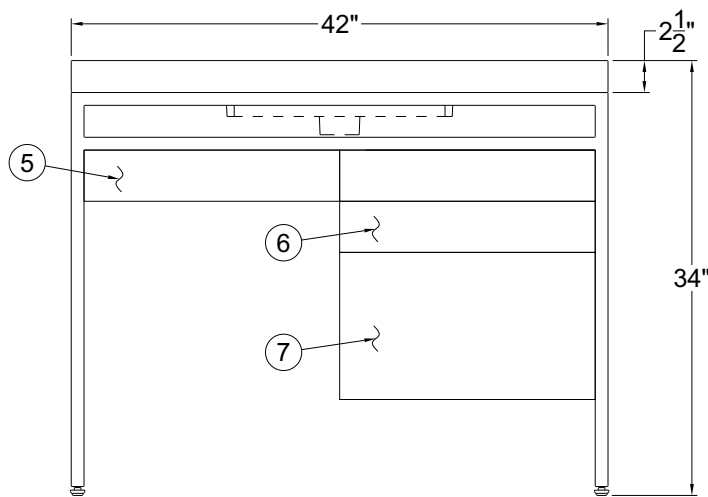
PRODUCT Specification . . . The 42" Slab Console /Table includes a 2-1/2" (64mm) thick solid surface Deck with an integral 14" x 17" x 4" depth (356 x 432 x 102mm) solid surface Basin. Solid Surface Basin comes with 1-1/4" Drain hole is provided to accommodate any Drain assembly with Overflow (Drain and P-Trap not included). The Frame is constructed out of Satin Finish (standard) stainless steel rectangular Tubing. The stainless steel Frame is also

available in Mira Finish The Solid Surface Countertop is available in a variety of standard colors. An optional Storage Shelf and Drawers are available. Adjustable Levelers are provided on each Leg for uneven floors. Installation instructions are provided.

Neo-Metro assumes no responsibility for use of void or suspended data. All dimensions are nominal and subject to manufacturer change without notice.



- ① STAINLESS STEEL SQUARE TUBING FOR LEGS AND FRAME
- ② ADJUSTABLE LEVELERS (ALL 4 LEGS)
- ③ 17" X 14" INTEGRAL BASIN
- ④ OPTIONAL -H36 THREE HOLES WITH 6" CENTERS FOR VALVE BY OTHERS
- ⑤ OPTIONAL -D4S 4" SHORT DEPTH
- ⑥ OPTIONAL -D4D 4" STANDARD DEPTH
- ⑦ OPTIONAL -D11D 11-1/2" STANDARD DEPTH



APPROVAL FOR MANUFACTURE

COMPANY: _____

PROJECT NAME: _____

SIGNEE'S NAME WRITTEN CLEARLY: _____

DATE: _____

AUTHORIZED SIGNATURE: _____

⚠ WARNING: Cancer and Reproductive Harm - www.P65Warnings.ca.gov