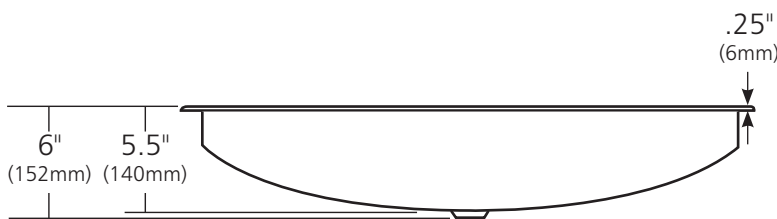
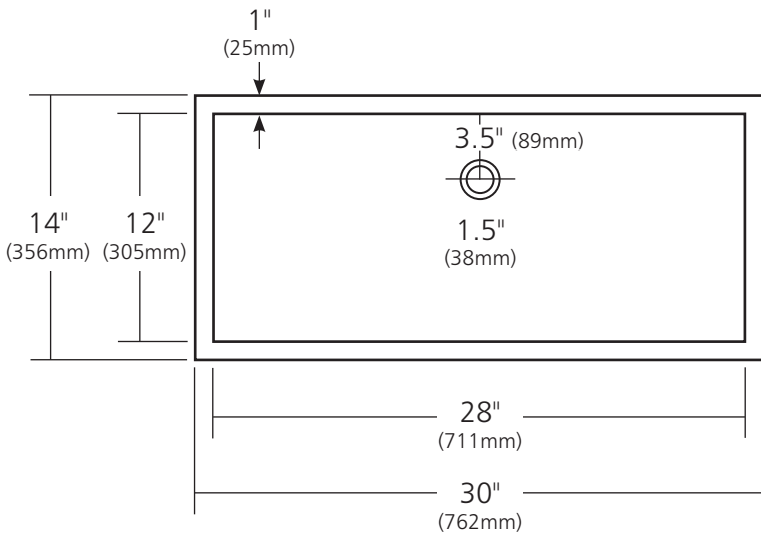


SPECIFICATIONS

TROUGH 30



- CPS200- Antique
- CPS500- Brushed Nickel
- CPS400- Polished Copper
- CPS800- Polished Nickel

PRODUCT DETAILS

- 30" x 14" x 6" OD (762mm x 356mm x 152mm)
- 28" x 12" x 5.5" ID (711mm x 305mm x 140mm)
- Hand hammered 16 gauge recycled copper
- 1.5" (38mm) drain opening

This product may be customized – see nativetrails.net/customization for details.

INSTALLATION

- Universal Mount (Drop-in or Undermount)

COORDINATING PRODUCTS

- Drains: DR120, DR130, DR150 or DR160
- MetalProtect™

STANDARDS COMPLIANCE

- UPC/cUPC compliant
- **ADA**  COMPLIANT

IMPORTANT

Due to the handcrafted nature of this product, it will vary in finish, texture, hammering, and other details. Dimensions may vary up to 1/2" (13mm). We strongly recommend waiting for the actual product before making any installation cuts.