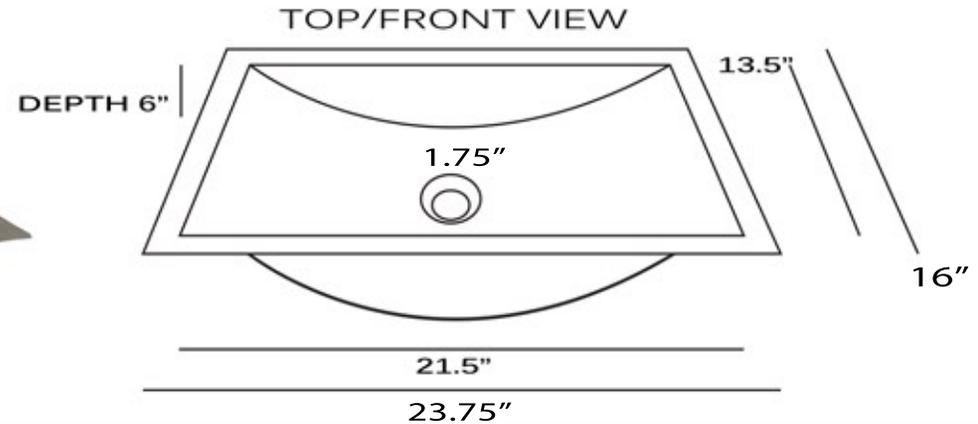


Brightwork Home Collection

Premium Stainless Steel Bathroom Sink



MODEL:
TRS2416



Overall Dimensions	Interior Bowl	Bowl Depth	Drain Hole	Overflow
23.75" X 16" x 6.375"	21.5" X 13.5"	6"	1.75"	No

FEATURES

- Premium 18 Gauge bathroom sink
- 6 " Bowl Depth
- Can be undermounted or topmounted
- Limited Lifetime Manufacturers Warranty
- Hand Hammered individual variations may exist
- Takes standard vanity drain without overflow (NS-UDC sold separately)



PROJECT/ NAME:

ARCHITECT/CONTRACTOR:

MODEL:

JOB NOTES:

** Nominal Dimensions - Actual May Vary By .25"