

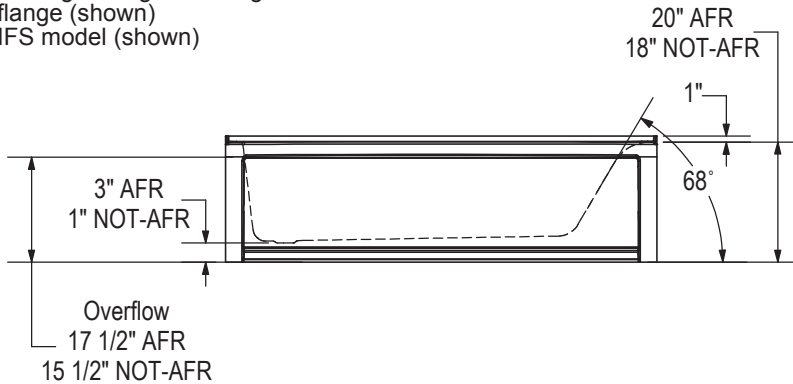
IFS Without System
Single tiling flange



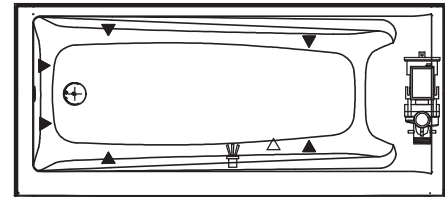
IFS With System
(access panel)
Single tiling flange



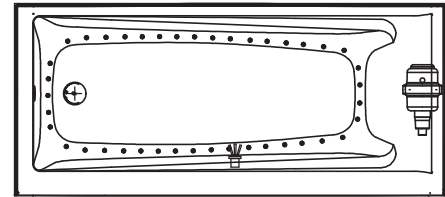
1" Single integrated tiling
flange (shown)
IFS model (shown)



WHIRLPOOL SYSTEM



AIR SYTEM



Technical drawing is universal for all
Exhibit 7232 configurations.

Wood support design may vary.
Single Integrated tiling flange: 1" height x 1/4" thickness (shown)

All dimensions are approximate.
Structure measurement must be verified against the unit to ensure proper fit.

- (▲) : Indicates whirlpool jets positioning
- (△) : Indicates suction positioning
- (●) : Indicates airjets positioning
- (☒) : Indicates chromatherapy light positioning