

Weymouth™ Technical Specification

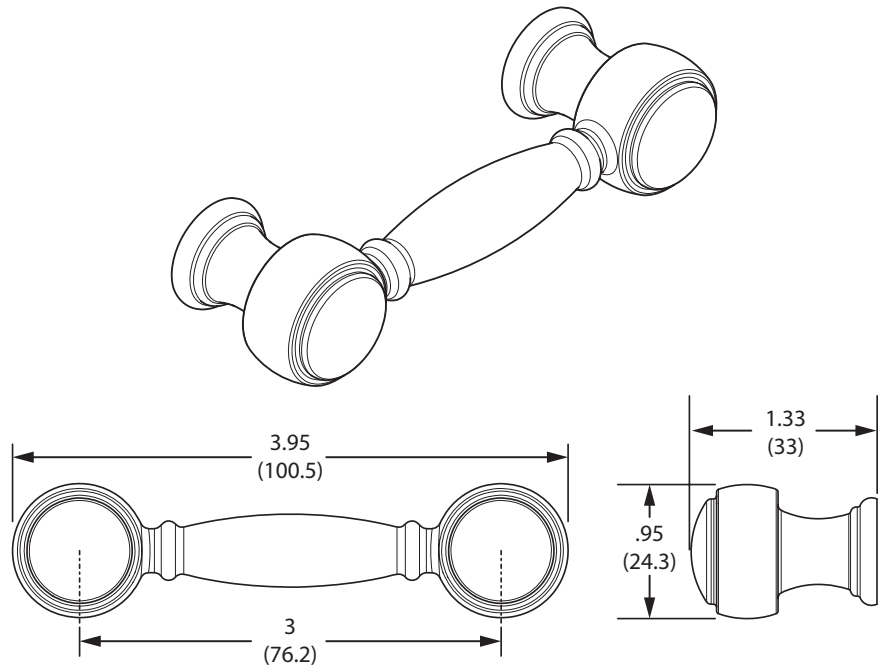
Drawer Pull

YB8407

Stock Numbers:

- **YB8407BN – Drawer Pull**
Brushed Nickel Finish
- **YB8407CH – Drawer Pull**
Chrome Finish
- **YB8407NL – Drawer Pull**
Nickel Finish
- **YB8407ORB – Drawer Pull**
Oil Rubbed Bronze Finish
- **YB8407BG – Drawer Pull**
Brushed Gold Finish
- **YB8407BL – Drawer Pull**
Matte Black Finish

Dimensions:



Materials:

Drawer Pulls are constructed of zinc.

Installation Instructions:

1. Drawer pulls will require two 3/16" holes.
2. The distance between holes is 3" on center.
3. Using a level, mark the location of the two holes.
4. Use a 3/16" drill bit to drill two holes.
5. Insert the screws into each hole.
6. Place the drawer pull over the screws.
7. Use a Phillips screwdriver to tighten screws.

Cleaning Instructions:

To preserve the fine finish of this product, clean only with a soft damp cloth. Dry well. Do not use commercial or abrasive cleaners.

Stock Number: _____ **Drawer Pull**
By Moen Incorporated

MOEN®

25300 AL MOEN DRIVE • NORTH OLMSTED, OH 44070
CORPORATE HEADQUARTERS: (800) 321-8809 • FAX: (800) 848-6636
INTERNATIONAL: (440) 962-2000 • FAX: (440) 962-2726
CUSTOMER SERVICE (USA): 800-882-0116 • FAX: (888) 379-2720
WWW.MOEN.COM
©Copyright Moen Incorporated