

DESCRIPTION

- Various finishes identified by suffix
- Metal shower ball

OPERATION

- 4 unique showering experiences

FLOW

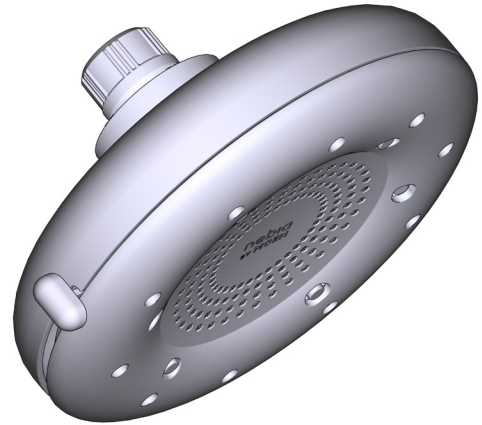
- Designed to deliver 1.5 gpm (5.7 L/min) max at 80 psi and
- 1.2 gpm (4.5 L/min) max at 80 psi super saver mode

STANDARDS

- Third party certified at WaterSense®, ASME A112.18.1/CSA B-125.1, ASSE 1014 and all applicable specifications referenced therein

WARRANTY

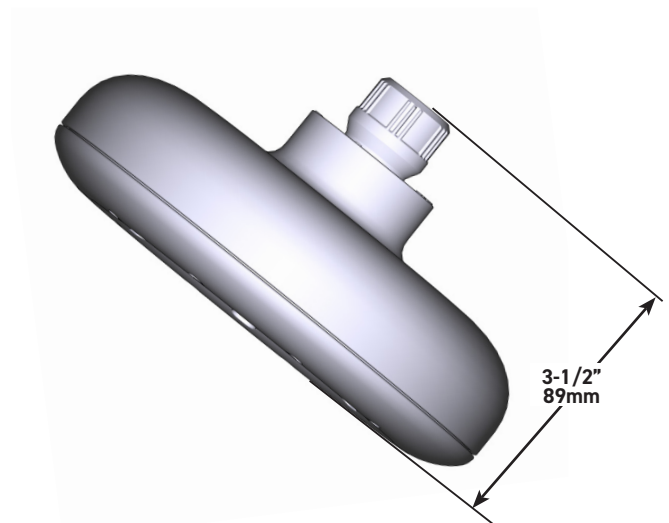
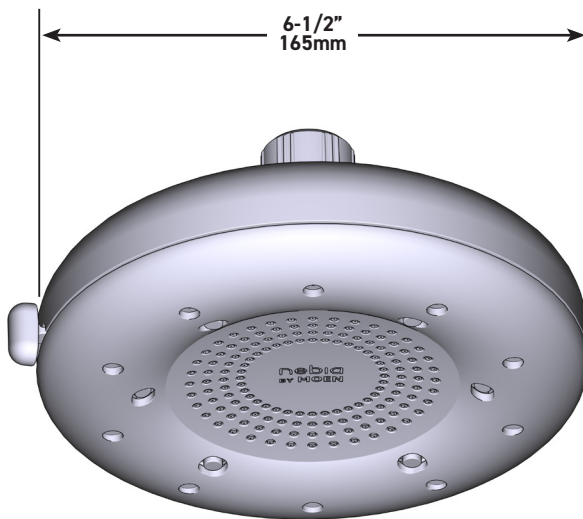
- Lifetime limited warranty against leaks, drips and finish defects to the original homeowner
- 5 year limited warranty when used in a commercial installation
- Visit www.moen.com/support for complete details and limitations



Nebia by Moen™ Quattro

4 Function Rain Shower

MODELS: N400R0 Series



CRITICAL DIMENSIONS DO NOT SCALE