

DESCRIPTION

- Non-metallic construction with various finishes identified by suffix
- Double check valve in handle

OPERATION

- Single function, full spray

FLOW

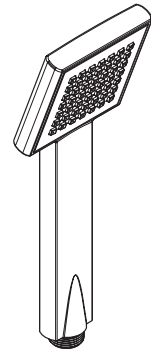
- Limited to 1.75 gpm (6.7 L/min) max.

STANDARDS

- Third party certified to WaterSense®, ASME A112.18.1/CSA B-125.1 and all applicable specifications referenced therein

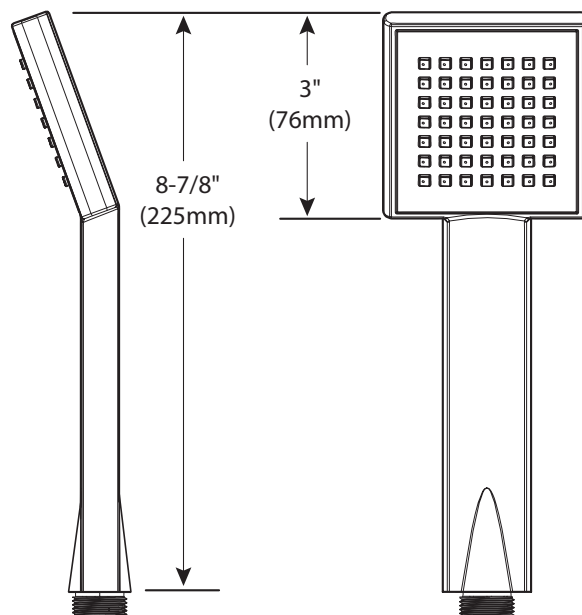
WARRANTY

- Lifetime limited warranty against leaks, drips and finish defects to the original homeowner
 - 10 year limited warranty when used in a multifamily installation
 - 5 year limited warranty when used in a commercial installation
- Visit www.moen.com/support for complete details and limitations



HAND SHOWER

Models: 176257 series



CRITICAL DIMENSIONS

(DO NOT SCALE)