

CS 1011 G

CombiSets
with one burner



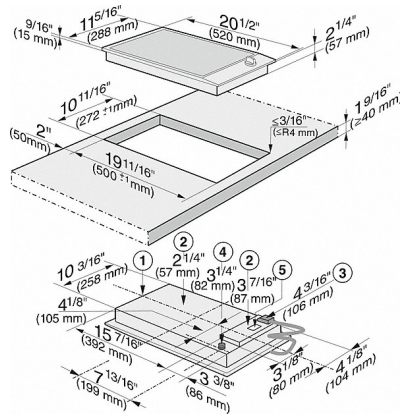
- Professional design - Stainless steel trough, 11 3/8 (288)Inch wide
- Broad performance spectrum - dual wok with up to 6.0 kW of power
- Optimal - single-handed operation via rotary dials and QuickStart
- Particularly convenient -in operation and residual heat indicator
- Extremely safe - GasStop&Restart function

EAN: 4002514584782 / material number: 07141860

Type of heating	
Fuel type	Gas
Design	
Stainless steel trough	•
Miele logo embossed in stainless steel	•
Cast iron pot rest (matte black enameled)	•
Ring features	
No. of rings	1
Ring	
Position	Centred
Type	Dual wok burner
Max. rating in W	6000
Control panel	
Operation via knobs	•
QuickStart	•
Safety	
GasStop & ReStart	•
Technical data	
Dimensions in in. (width)	11 3/8 (288)
Dimensions (height) in in.(mm)	2 7/8 (73)
Dimensions (depth) in in.(mm)	20 1/2 (520)
Built-in height with mains connection box in in.(mm)	4 1/4 (106)
Cutout dimensions in in. (width) with proud-mounted installation	10 3/4 (272)
Cutout dimensions in in. (depth) with proud-mounted installation	19 3/4 (500)
Weight in lbs. (kg)	17 (8)
Total connected load in kW	6.0
Power cord length in m	6 (2.0)
Standard accessories	
Connection wire	•
Jet set for liquid gas	•
Wok ring	•

CS 1011 G

CombiSets
with one burner



CS 1011 G (installation drawing) - USA

- 1) Appliance front
- 2) Installation height
- 3) Power supply box with Connection cable, L = 78 3/4" (2000 mm)
- 4) Gas Fitting
- 5) Rating label