

DA 2360

Insert ventilation hood
with energy-efficient LED lighting and backlit controls for easy use.



- Customized kitchen design - fully integrated in 23 (584)Inch width
- Space saving – suitable for narrow wall units from 11.8" deep
- Efficient filtration- 10-ply stainless steel grease filters
- Safe and easy to clean - Miele CleanCover

EAN: 4002515949887 / material number: 10765130

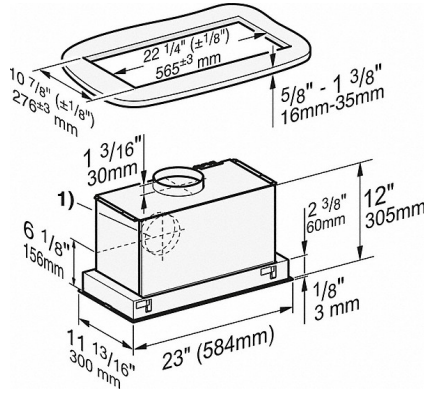
Construction type	
Insert ventilation hood	•
Design	
Color	No colour
RAL color possible as special order	•
Customization possible on request	•
Operating modes	
Recirculated mode	Convertible
OdorFree charcoal filter (order separately)	DKF19-900
Control panel	
Electronic controls	•
Light-touch controls	•
Power levels (number excl. Intensive)	3
Intensive setting	•
Cleaning convenience	
Easy-to-clean CleanCover hood liner	•
Filter system	
Number of dishwasher-safe stainless steel grease filters	1
Lighting	
LED ClearView lighting	•
Light intensity in Lx	350
Color temperature in K	3,000
Blower	
Dual-action blower	•
AC motor	•
Air throughput with max. duct diameter in vented mode (not for external version)	
Air throughput	Values upon request
Safety	
Safety shut-off	•
Technical data	
Canopy width in in.(mm)	23 (584)
Height of hood canopy in in.(mm)	2 1/2 (63)
Depth of hood canopy in in.(mm)	11 3/4 (297)
Minimum distance above electric cooktops in in.(mm)	24 1/8 (610)
Minimum height above gas cooktop (max. 12.6 kW total power, burner 4.5 kW) in mm	26 (660)
Net weight in lbs. (kg)	25 (11.0)
Length of electrical wire in ft (m)	4 (1.5)
Standard plug fitted	•
Total connected load in kW	0.36
Voltage in V	120
Fuse rating in A	15
Number of phases	1
Installation notes	
Vent connection at top	•
Vent connection at top and rear	•
Diameter of vent connection in in.(mm)	6 (150)
Standard accessories	
Non-return flap	•
Reducer from 150 to 125 mm Ø	•

More information at www.MieleUSA.com

For further information please see next page...

DA 2360

Insert ventilation hood
with energy-efficient LED lighting and backlit controls for easy use.



DA 2360 (Installation drawing) - USA

1) Vent connection alternatively to rear