

VENTILATION HOOD INSERT

EI36HI55KS



PRODUCT DIMENSIONS

| | |
|--------|-----------|
| Height | 11-1/2" |
| Width | 35-13/16" |
| Depth | 22" |

MORE EASY-TO-USE FEATURES

PLATINUM STAR® LIMITED WARRANTY

Our exclusive limited warranty that includes a 3-year coverage on parts and one year on labor without charge.¹

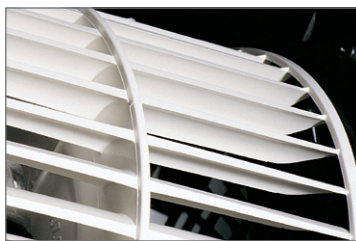
Available in:



Stainless
(S)

¹Eligibility based on product registration with Electrolux North America within 60 days of purchase. Products must have been purchased on or after July 1, 2013. Coverage includes material parts for 3 years and labor for 1 year.

SIGNATURE FEATURES



DUAL-CENTRIFUGAL FANS

The ultraquiet blower allows you to dial in the precise airflow needed.



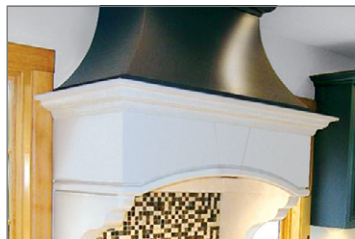
STAINLESS STEEL FILTERS

Dishwasher-safe for easy cleaning.



LUXURY-DESIGN® LIGHTING

Four halogen lights give brilliant illumination of your cooking surface.



BLOWER MOTOR SYSTEM OPTIONS

Choose the style of ventilation from an integrated or remote blower installation option.

VENTILATION HOOD INSERT

EI36HI55KS



36" VENTILATION HOOD INSERT

FEATURES

| | |
|---|------------------------|
| Nominal Width | 36" |
| Installation Type | Hood Insert |
| Style | Stainless Steel |
| Air Discharge | Vertical or Horizontal |
| Air Delivery – (CFM) | |
| Integrated Blower Motor | 600 |
| Remote Blower Motor | 600 |
| Blower Type – | |
| Integrated | Centrifugal |
| Remote | Centrifugal |
| Mechanical Controls | Yes |
| Fan Speeds | 4 |
| Quad Halogen Lights (High/Low) | Yes |
| Dishwasher Safe Stainless Steel Filters | Yes |
| Exhaust Duct | External |
| Duct Recommended for 600 CFM Blower | 6" or 8" |

BLOWER MOTOR SYSTEM OPTIONS

| | |
|--|------------|
| 600 CFM Integrated Blower Motor System Kit | EI06HIPIKS |
| 600 CFM Remote Blower Motor System Kit | EI06HIPRKS |

SPECIFICATIONS

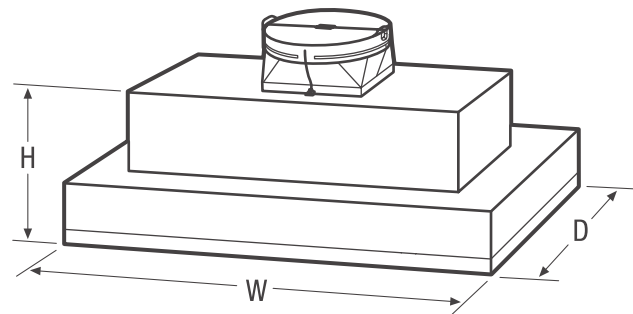
| | |
|---|----------------------|
| Color – | |
| Stainless Steel | S |
| Voltage Rating | 120V/60 Hz/15 or 20A |
| Connected Load (kW Rating) @ 120 Volts [†] | |
| Integrated/Remote Blower Motor | .40 |
| Amps @ 120 Volts – | |
| Integrated/Remote Blower Motor | 3.7 |
| Shipping Weight (Approx.) – | |
| Hood Insert | 45 Lbs. |
| Integrated Blower Motor* | 14 Lbs. |
| Remote Blower Motor* | 40 Lbs. |
| Sones Rating – | |
| Integrated Blower Motor | 11.9 |
| Remote Blower Motor | 4.9 |

[†] For use on adequately wired 120V, dedicated circuit having 2-wire service with a separate ground wire. Appliance must be grounded for safe operation.

* Blower Motor System ordered separate from hood. Blower Motor System Kit shipped separate. Only one System Kit is necessary per Vent Hood Insert.

NOTE: Always consult local and national electric codes. Check local building codes for installation requirements, as they may vary per locale. Refer to Product Installation Guide for detailed installation instructions on the web at electroluxappliances.com.

Specifications subject to change.



PRODUCT DIMENSIONS

| | |
|--------|-----------|
| Height | 11-1/2" |
| Width | 35-13/16" |
| Depth | 22" |

BLOWER MOTOR SYSTEM KITS HOOD INSERT MODELS

| Model | EI30HI55K | EI36HI55K |
|---|-----------|-----------|
| EI06HIPIKS (600 CFM Integrated Blower Kit) | • | • |
| EI06HIPRKS (600 CFM Remote Blower Kit) | • | • |

* You can use your range hood model with this blower motor kit.

Electrolux Major Appliances, N.A.

USA • 10200 David Taylor Drive • Charlotte, NC 28262 • 1-877-4electrolux (1-877-435-3287) • electroluxappliances.com
 CANADA • 5855 Terry Fox Way • Mississauga, ON L5V 3E4 • 1-800-265-8352 • electroluxappliances.ca

EI36HI55K 01/16

© 2016 Electrolux Home Products, Inc.



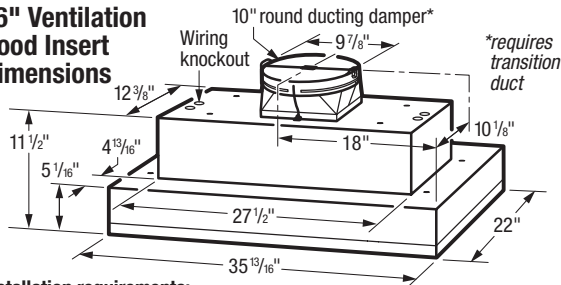
High standards of quality at Electrolux Home Products, Inc. mean we are constantly working to improve our products. We reserve the right to change specifications or discontinue models without notice.

VENTILATION HOOD INSERT

EI36HI55KS



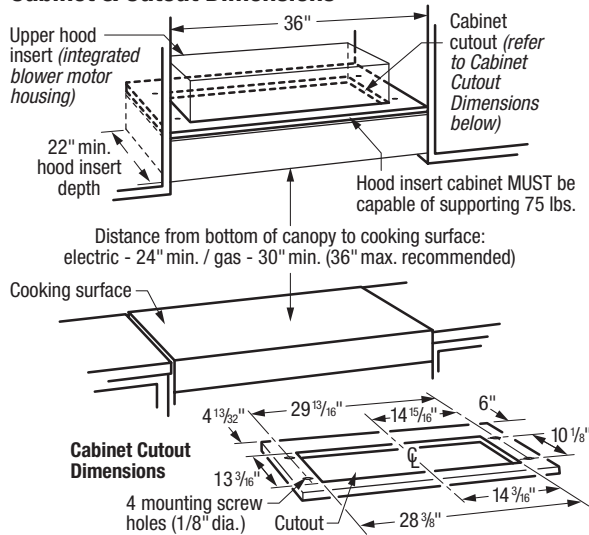
36" Ventilation Hood Insert Dimensions



Installation requirements:

Vent Hood Insert requires installation of Blower Motor System (*integrated or optional remote*) and custom-built enclosure. For installation details and specifications, refer to Product Installation Guide on web.

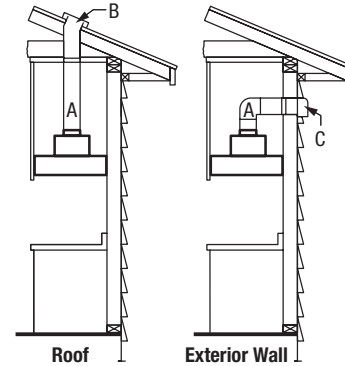
Cabinet & Cutout Dimensions



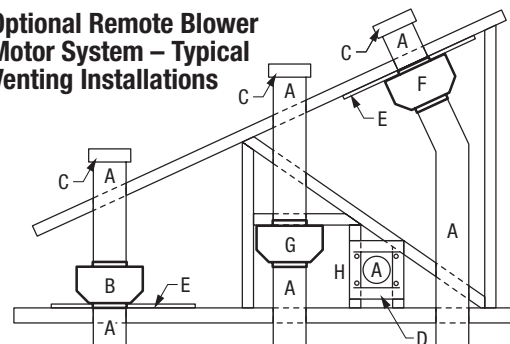
Venting Methods

- A. 6" or 8" round vent
- B. Roof cap
- C. Wall cap

Note: 6" or 8" round vent system recommended for 600 CFM Blower Motor System. (Flexible vent not recommended.)



Optional Remote Blower Motor System – Typical Venting Installations



- A. 6" or 8" round vent with transition duct
- B. Mount blower on top of ceiling joists
- C. Roof caps
- D. Wall Cap
- E. Plywood (optional for some installations)
- F. Mount blower on underside of roof rafters
- G. Mount blower from cross-members tied to trusses
- H. Duct horizontal; mount blower to cross-members tied to trusses

Note: Structure MUST be capable of supporting 50 lb. weight of Remote Blower Motor System

36" Ventilation Hood Insert Specifications

- Product Weights: Hood Insert – 28 lbs.; Integrated Blower – 11 lbs.; Remote Blower – 29 lbs.
- 36" Vent Hood Insert requires custom-built enclosure with installation of Integrated Blower Motor System (600 CFM) into upper hood insert's housing; or optional Remote Blower Motor System (600 CFM) in separate location. (For installation details and specifications, refer to Product Installation Guide on web.)
- Voltage Rating – 120V/60 Hz/15 Amps
- Connected Load (kW Rating) @ 120 Volts = 0.40 kW. (For use on adequately wired 120V, dedicated circuit having 2-wire service with a separate ground wire. Appliance must be grounded for safe operation.)
- Amps @ 120 Volts = 3.7 Amps
- Always consult local and national electric codes. Check local building codes for installation requirements, as they may vary per locale.
- Makeup air systems may be required by local building codes when using ventilation systems greater than specified CFM of air movement. Specified CFM varies per locale.
- Custom-built enclosure required, with hood cabinet having 22" min. hood insert depth and 36" width between cabinet opening above cooking surface. Structure and support must be capable of supporting 75 lbs.
- Locate hood insert away from strong draft areas.
- Minimum installation height allowed from bottom of hood canopy to cooking surface is 24" for electric and 30" for gas. (NOT more than 36" recommended.)
- Vent system MUST terminate outdoors through roof or wall; do NOT terminate into attic or other enclosed area.

- Exhaust opening has 10" diameter round vent outlet, requiring a 6" or 8" round transition duct.
- To provide efficient performance, length of vent system and number of elbows should be kept to minimum. Flexible vent greatly reduces performance and is not recommended.
- Use metal vent only – rigid metal vent recommended; plastic or metal foil vent not recommended.
- For cold weather installation, additional backdraft damper and thermal break should be installed. Thermal break will minimize conduction of outside temperatures as part of the vent system with damper on cold air side of break, as close as possible to where vent system enters heated portion of house.

Optional Remote Blower Motor System Specifications

- Remote Blower installs separately from insert and MUST mount to secure roof, ceiling, wall, floor or new/existing frame construction; spanning studs or mounted to plywood between ceiling joists or roof rafters and may require additional framing. (For installation details and specifications, refer to Typical Venting Installations on this page and Product Installation Guide on web.)
- Structure and support MUST be capable of supporting 50 lb. weight

Note: For planning purposes only. Refer to Product Installation Guide on the web at electroluxappliances.com for detailed instructions.

Blower Motor System Options

- Integrated 600 CFM Blower Motor System Kit – (PN# EI06HIPIKS).
- Remote 600 CFM Blower Motor System Kit – (PN# EI06HIPRKS).

Electrolux Major Appliances, N.A.

USA • 10200 David Taylor Drive • Charlotte, NC 28262 • 1-877-4electrolux (1-877-435-3287) • electroluxappliances.com
 CANADA • 5855 Terry Fox Way • Mississauga, ON L5V 3E4 • 1-800-265-8352 • electroluxappliances.ca

EI36HI55K 01/16

© 2016 Electrolux Home Products, Inc.



High standards of quality at Electrolux Home Products, Inc. mean we are constantly working to improve our products. We reserve the right to change specifications or discontinue models without notice.