

UPWD3034ST DOUBLE WALL OVEN

SIGNATURE
KITCHEN SUITE



TRUE CONVECTION COOKING

The convection cooking system utilizes a third element and fan to cook food quickly and evenly, on every rack.

SPEED-CLEAN™

Makes fast work of cleaning a lightly-soiled oven with just a ten minute cycle, using only water.

GLIDESHUT™ DOOR

The door opens and closes gently with grace and elegance.

WI-FI ENABLED FOR SMART CONTROL

The innovative wi-fi feature, powered by SmartThinQ® Technology, lets you cook and monitor from anywhere.

Innovation

| | |
|---|-----|
| Wi-Fi-Enabled for SmartThinQ® Control with iPhone / Android App | Yes |
|---|-----|

Upper Oven Features & Performance

| | |
|--|---|
| Oven Type | Convection |
| Capacity | 4.7 cu. ft. |
| Cooking Modes Convection Bake, Convection Roast, Crisp Convection, Roast, Broil, Bake, Warm, Proof, Pizza | |
| Interior | Blue, Easy Clean® |
| Oven Cleaning | Self Cleaning & Speed-Clean™ |
| Variable Cleaning Time | Self Cleaning (3,4,5 hrs), Speed-Clean™ (10 min.) |
| Variable Broil | Yes (Full, Center / High, Med, Low) |
| Broil Element | 2,500 W / 1,500 W |
| Bake Element | 2,500 W |
| GlideShut™ Door | Yes |
| Oven Racks | 2 Gliding, 1 Heavy Duty |
| # of Rack Positions | 5 |
| Oven Meat Probe | Yes |
| Automatic Shut Off | 12 hrs. |
| # of Lights | 3 (Halogen Lamp) |
| Convection System | True Convection |
| Convection Conversion | Yes |
| Convection Element | Yes (2,000 W) |
| Proof | Yes |
| Variable Warm | Yes (High: 200°F, Med: 170°F, Low: 140°F) |

UPWD3034ST

DOUBLE WALL OVEN

Lower Oven Features & Performance

| | |
|------------------------|---|
| Oven Type | Convection |
| Capacity | 4.7 cu. ft. |
| Cooking Modes | Convection Bake, Convection Roast, Crisp Convection, Roast, Broil, Bake, Warm, Proof, Pizza |
| Interior | Blue, Easy Clean® |
| Oven Cleaning | Self Cleaning & Speed-Clean™ |
| Variable Cleaning Time | Self Cleaning (3,4,5 hrs), Speed-Clean™ (10 min.) |
| Variable Broil | Yes (Full,Center / High,Med,Low) |
| Broil Element | 2,500 W / 1,500 W |
| Bake Element | 2,500 W |
| GlideShut™ Door | Yes |
| Oven Racks | 2 Gliding, 1 Heavy Duty |
| # of Rack Positions | 5 |
| Oven Meat Probe | Yes |
| Automatic Shut Off | 12 hrs. |
| # of Lights | 3 (Halogen Lamp) |
| Convection System | True Convection |
| Convection Conversion | Yes |
| Convection Element | Yes (2,000 W) |
| Proof | Yes |
| Variable Warm | Yes (High: 200°F, Med: 170°F, Low: 140°F) |

Controls

| | |
|------------------------------|----------------------------|
| Oven | Knob+Stainless Steel Touch |
| Display | White, Red VFD |
| Electronic Clock & Timer | Yes |
| Lock Out Function | Yes |
| Delay Start Time | Yes |
| Preheat Alarm Light | Yes |
| Audible Preheat Signal | Yes |
| Cooking Complete Reminder | Yes |
| Temperature Display (F or C) | Yes |
| Language Options | English, Spanish, French |

Technical Specs

| | |
|-------------------|------------------|
| Rating | 8.2 KW |
| Electrical Supply | 240 VAC, 208 VAC |
| Max. Amp Load | 34.2 A |

Dimensions and Weight

| | |
|---|----------|
| Overall Width (inches) | 29 3/4 |
| Overall Depth Including Door (inches) | 24 5/8 |
| Overall Depth Including Handle (inches) | 26 63/64 |
| Overall Depth with Door Open (inches) | 45 2/3 |
| Overall Height (inches) | 52 1/8 |
| Net Weight (approx.) | 240 lbs |
| Shipping Weight (approx.) | 303 lbs |

Accessories

| | |
|--------------------|---|
| Broiler Pan | 1 |
| Grid | 1 |
| Meat Probe | 1 |
| Heavy Duty Rack | 2 |
| Gliding Rack | 4 |
| Spray Water Bottle | 1 |

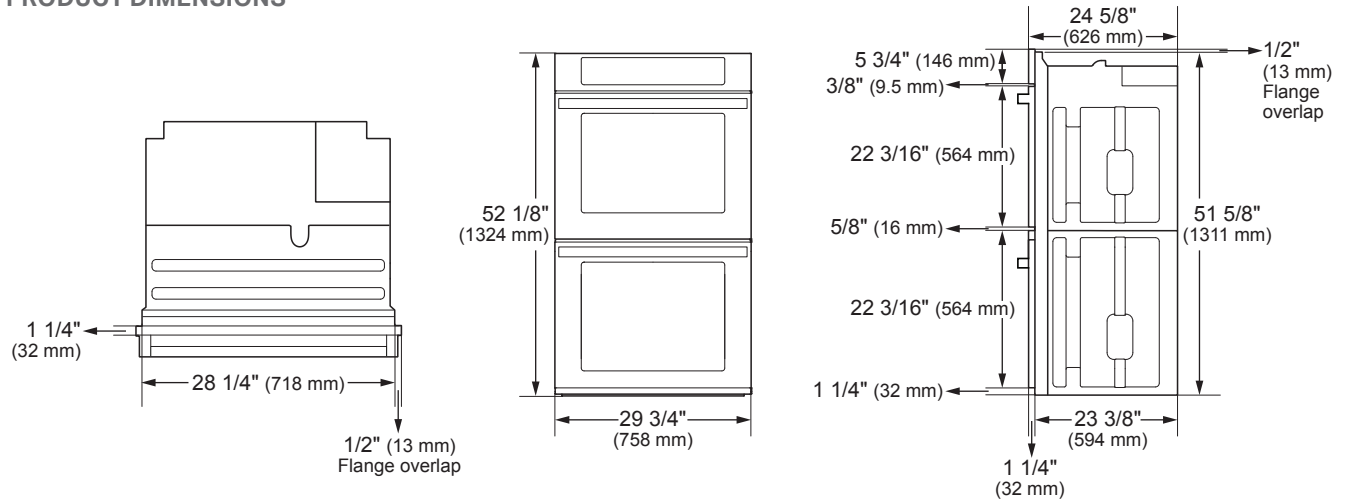
Warranty Summary*

| | |
|--|---------|
| Limited Warranty, Parts & Labor | 2 Years |
| Additional 1 Year When Product Registration is Completed Online with Owner Opt-in for Wi-Fi Monitoring | Yes |

*These warranties give you specific legal rights and you may have other rights that vary from state to state. For complete warranty details, refer to your Use & Care manual.

UPWD3034ST DOUBLE WALL OVEN

PRODUCT DIMENSIONS



CUTOUT DIMENSIONS

