

SKSPH3602S

36" PRO-STYLE WALL HOOD



WI-FI ENABLED FOR SMART CONTROL

The innovative wi-fi feature, powered by ThinQ® Technology, brings modern convenience to the kitchen. Monitor and control air movement, operate LED lights, and turn the hood on and off from a mobile device using the Signature Kitchen Suite™ app. When combined with a Signature Kitchen Suite Range, ThinQ® Technology lets the range and hood communicate with each other so the burners and fans are synchronized.

PROFESSIONAL-STYLE BAFFLE FILTERS

Professional-style baffle filters enhance the cooking experience by capturing grease and smoke particles more efficiently than traditional mesh filters, without affecting airflow. The baffle filters are dishwasher-safe for easy cleaning.

LED LIGHTING

Dual-level LED lighting illuminates the cooking surface with a brilliant glow. The LED lights are energy-efficient and have a long life.

VARIABLE MAXIMUM CFM TECHNOLOGY

The hood provides a wide range of maximum CFMs from 200 through 650 CFM to meet local requirements, without having to compromise power or design.

Innovation

Wi-Fi Enabled for ThinQ® Control with iPhone / Android App	Yes
Remote Operations	Yes

Performance Features

Internal Blower (Included)	200-650 CFM, 1-6 Sones
Speed Levels	5
Variable Max. CFM Technology*	Yes
Variable Max. CFM Set at 390	200-390 CFM, 1-4 Sones, 3 Speeds
Variable Max. CFM Set at 290	200-290 CFM, 1-3 Sones, 2 Speeds
Electronic Touch Controls	Yes
Auto Delay-Off	Yes
CleanAir Function	Yes
Dual-Level Lighting	Yes
Lighting Type	LED
Dishwasher Safe Filters	3 Pro Baffle

Technical Specs

Mounting Height Above 36" High Cooktop / Range	26" - 36"
Discharge Direction	Vertical or Horizontal
Vertical Discharge	8" Round
Horizontal Discharger**	3-1/4" x 10" or 8" Round
Required Power Supply	120V, 60Hz, Max. 4 Amp

*The Variable Maximum CFM feature can limit the maximum blower CFM to meet local code requirements.

**If horizontally ducting via 3-1/4" x 10", the maximum airflow of 650 CFM will be reduced to 550 CFM.

© 2020 Signature Kitchen Suite. All rights reserved. Design, features and specifications are subject to change without notice. Specifications are for planning purposes only. Consult the product's installation instructions for final dimensional data and other details prior to making cutouts or custom panels. Consult with a heating and ventilation engineer for your specific ventilation requirements. Non-metric weights and measurements are approximate. Smart features require Internet access.

1-855-790-6655 | www.signaturekitchensuite.com

SKSPH3602S 36" PRO-STYLE WALL HOOD

Dimensions and Weight

Overall Width (inches)	35 7/8"
Overall Height (inches)	18"
Overall Depth (inches)	24"
Net Weight (approx.)	59.7 lbs
Shipping Weight (approx.)	79 lbs

Optional Accessories

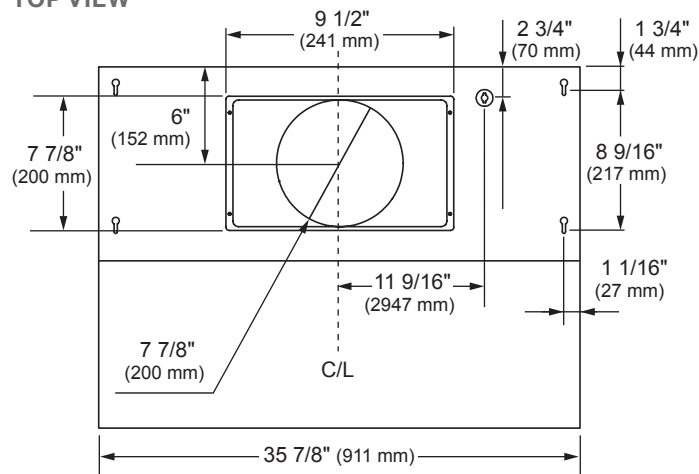
12" Duct Cover	SKSDC360S
Internal Blower Kit for 1200 CFM	SKSBK120S

Warranty Summary*

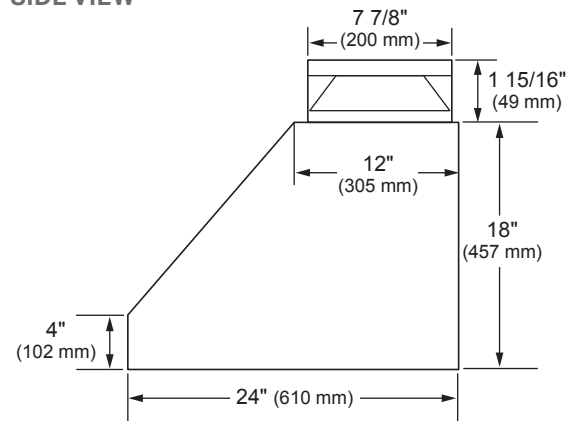
Full Warranty, Parts & Labor	2 Years
Additional 1 Year When Product Registration is Completed Online with Owner Opt-in for Wi-Fi Monitoring	Yes

OVERALL PRODUCT DIMENSIONS

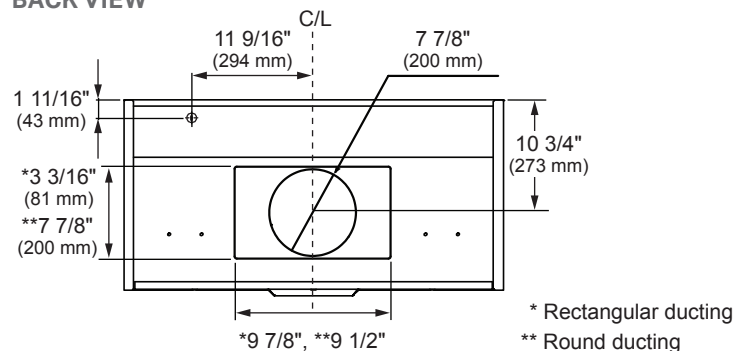
TOP VIEW



SIDE VIEW



BACK VIEW



*These warranties give you specific legal rights and you may have other rights that vary from state to state. For complete warranty details, refer to your Use & Care manual.