

Features

- Advanced spray engine provides five alternate experiences: wide coverage, intense drenching, targeted spray and two combination sprays.
- Full coverage spray features angled nozzles to produce all-encompassing coverage for everyday use.
- Intense rinse delivers a forceful spray ideal for thoroughly rinsing soap from hair.
- Powerful massage spray is a focused stream that targets sore muscles, or use as a utility spray to rinse kids, pets, and your shower.
- MasterClean™ sprayface features an easy-to-clean surface that withstands mineral buildup.
- Simple thumb tab smoothly transitions between sprays.
- 1.75 gpm (6.6 lpm) flow rate for handshower.

Material

- KOHLER finishes resist corrosion and tarnishing.

Installation

- Bath- or deck-mount.
- 1/2" - 14 NPSM connection.

Water Conservation & Rebates

- This product can help a building earn Water Efficiency points in LEED® Green Building Rating System.

Recommended Products/Accessories

K-23723 Faucet cleaner

Included Components

Additional Components:

60" hose
Handshower
Handshower holder



OBC

Codes/Standards

ASME A112.18.1/CSA B125.1
DOE - Energy Policy Act 1992
EPA WaterSense®
California Energy Commission (CEC)
OBC


KOHLER® Faucet Lifetime Limited Warranty

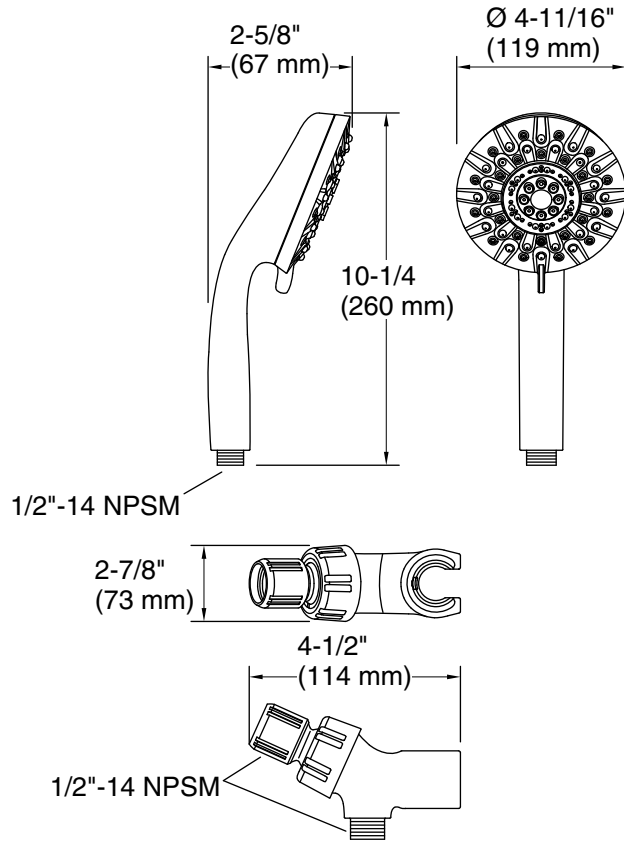
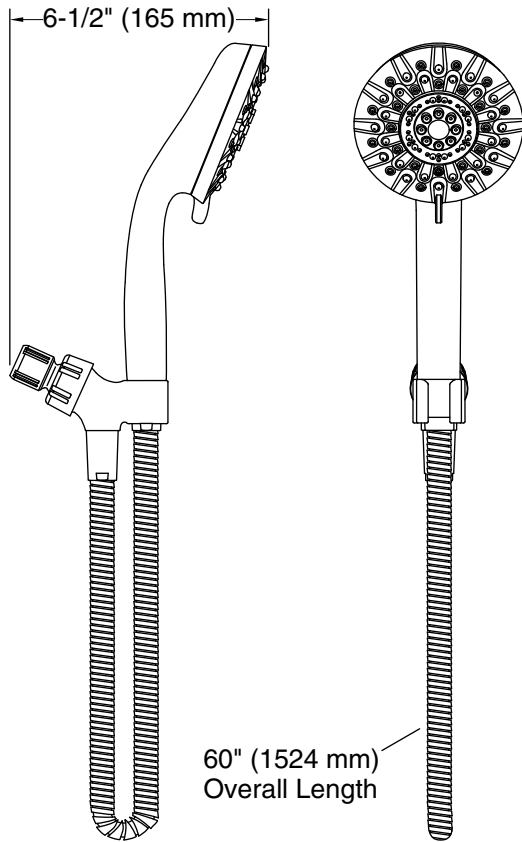
See website for detailed warranty information.

Available Colors/Finishes

Color tiles intended for reference only.

Color Code Description

	CP	Polished Chrome
	BN	Vibrant® Brushed Nickel



Technical Information

All product dimensions are nominal.

Drain included: No

Handshower:

Rated maximum flow: 1.75 gal/min (6.6 l/min)

Pressure: 45 psi (3.1 bar)

Notes

For use with automatic compensating valves rated at 1.5 gal/min (5.7 l/min) or less.

Install this product according to the installation instructions.

Plumbing codes require approved backflow prevention devices to be installed in-line to handshowers. Consult local plumbing officials.

OBC compliant when installed to the specific requirements of these regulations.