

Features

- 22-inch minimum base cabinet width.
- Single bowl.
- 8-inch depth.
- Three faucet holes.
- SilentShield® sound-absorption technology offers quieter performance.
- Includes installation hardware.

Material

- 18-gauge stainless steel.

Installation

- Top-mount

Recommended Products/Accessories

K-8801 Sink Strainer

K-8799 Sink Strainer

Included Components

Additional Components:

1036072



ADA

Codes/Standards

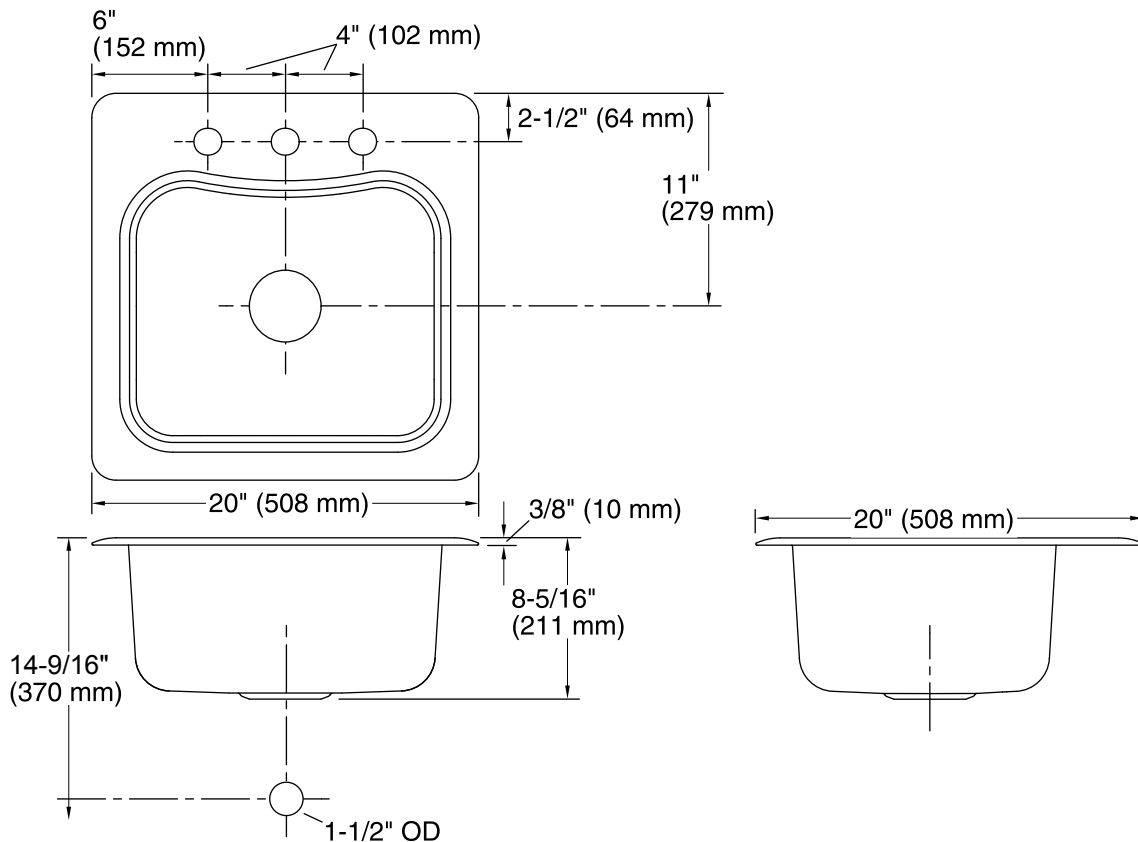
ASME A112.19.3/CSA B45.4

ADA

ICC/ANSI A117.1

KOHLER® One-Year Limited Warranty

See website for detailed warranty information.



Technical Information

All product dimensions are nominal.

Bowl configuration: Single

Installation: Top-mount

Cutout: Top-mount, 19-1/2" x 1" (495 mm x 25 mm) with 19-1/2" (495 mm) radius corners

Bowl area (Only): Length: 16-1/8" (410 mm)
Width: 13-9/16" (345 mm)
Water depth: 8" (203 mm)

Number of deck holes: 3

Faucet hole spacing: 4" (102 mm)

Faucet hole(s): 1-7/16" (37 mm)

Drain hole: 3-5/8" (92 mm)

Notes

Install this product according to the installation instructions.

ADA compliant when installed to the specific requirements of these regulations.

ADA permits a parallel approach to wet bars.