

Features

- Bask® heated surface creates spa-like relaxation with soothing warmth on your back and neck.
- Three heat settings allow you to customize the surface temperature.
- Hourglass shape adds style and elegance to your bathroom.
- Generous 6-foot length provides an incredibly spacious bathing area.
- Integral apron.
- Integral flange helps prevent water from seeping behind wall and simplifies alcove installation.
- Textured bottom surface
- Right-hand drain.

Material

- Acrylic

Installation

- Three-wall alcove.

Additional Hydrotherapy Options

- Soaking Bath - 1259-RA
- Soaking Bath + Bask heated surface - 1259-RAW
- BubbleMassage air bath - 1257-GRA
- VibrAcoustic - 1257-VBRA
- VibrAcoustic + Bask heated surface - 1257-VBRAW
- Whirlpool - 1257-RA
- Whirlpool + heater - 1257-HR
- Whirlpool + Bask heated surface - 1257-RAW

Recommended Products/Accessories

K-7166-AF Bath Drain

K-24916 Wireless Music Kit



Codes/Standards

CSA B45.5/IAPMO Z124

ASTM E162

ASTM E662

UL 1795

KOHLER® Plastic Baths and Receptors

Lifetime Limited Warranty

KOHLER® Hydrotherapy Components






Five-Year Limited Warranty

See website for detailed warranty information.

Available Colors/Finishes

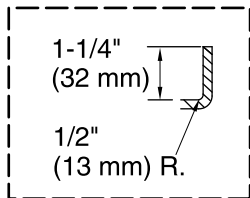
Color tiles intended for reference only.

| Color | Code | Description |
|-------|------|-------------|
|-------|------|-------------|

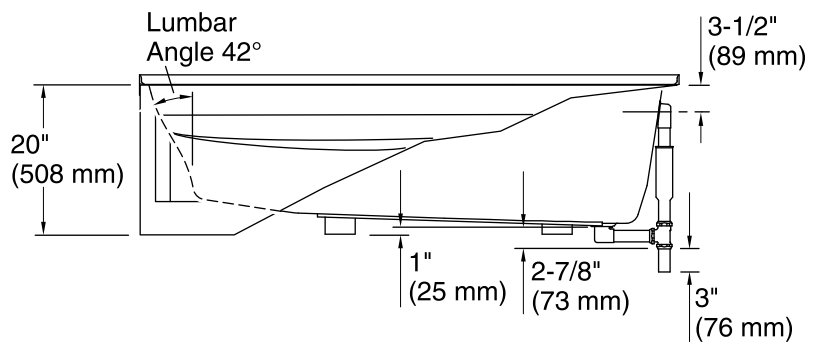
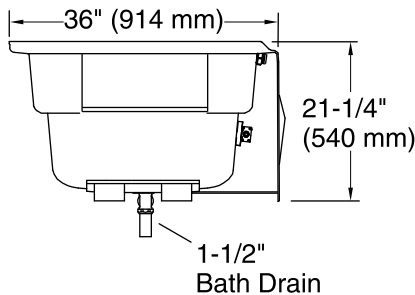
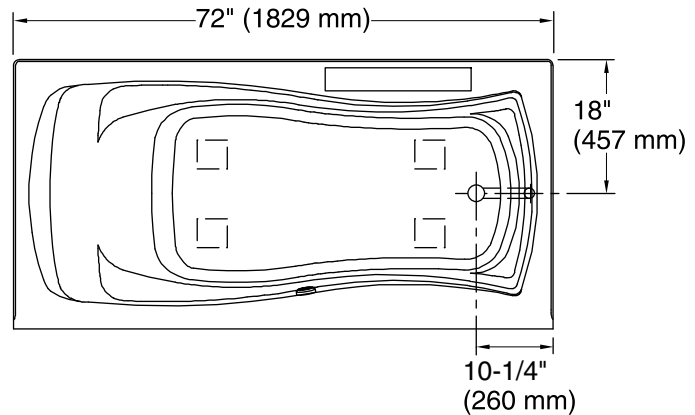
| | | |
|--|----|---------|
|  | 0 | White |
|  | 96 | Biscuit |
|  | 47 | Almond |
|  | NY | Dune |
|  | G9 | Sandbar |

No change in measurements if connected with drain illustrated. (K-7166-AF)

 Recommended Faucet Location



Integral Flange Detail



Required Electrical Service

One circuit required, protected with Class A Ground-Fault Circuit-Interrupter (GFCI). Outside North America, this device may be known as a Residual Current Device (RCD).

Heated Surface: 120 V, 15 A

Technical Information

All product dimensions are nominal.

| | |
|------------------------------|---|
| Installation: | Three-wall alcove |
| Drain location: | Right |
| Basin area, bottom: | 50" x 24" (1270 mm x 610 mm) |
| Basin area, top: | 65" x 27" (1651 mm x 686 mm) |
| Weight: | 77 lbs (34.9 kg) |
| Minimum floor load: | 39 lbs/ft ² (190.4 kg/m ²) |
| Water depth: | 14" (356 mm) |
| Water capacity: | 72 gal (272.5 L) |
| Electrical component rating: | Heated Surface: 120 V, 0.5 A, 60 Hz, 65 W |
| Minimum flat for door: | 2-1/8" (54 mm) |

Notes

Measure your actual product for rough-in details. Install this product according to the installation instructions.

The hot water supply should be 70% of the capacity of the bath or greater. Installations will vary.

If installing a rim-mount faucet, make sure there is no interference above or below the deck before drilling any holes.