

FEATURES

- 16-gauge stainless steel for long term durability
- Handcrafted polished distressed finish
- Curved walls provide a beautiful flower shaped design detail
- Undercounter installation
- Without overflow
- Includes mounting hardware

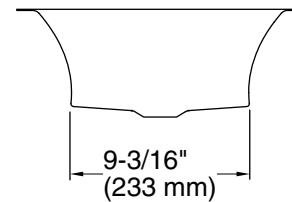
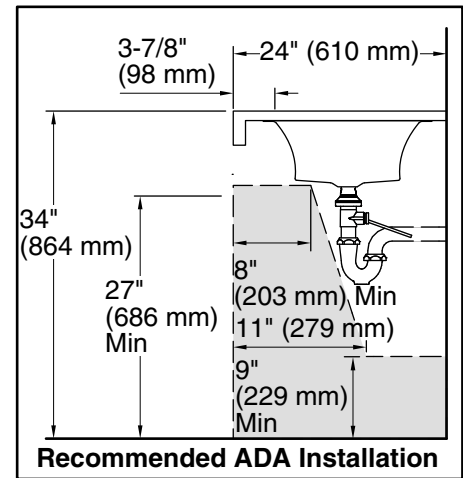
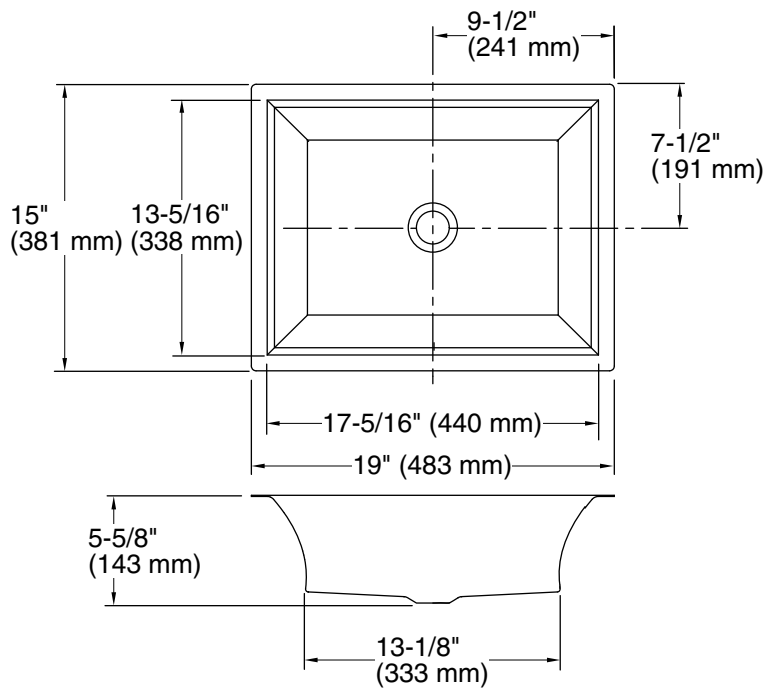
CODES/STANDARDS APPLICABLE

Specified model meets or exceeds the following:

- ADA
- ICC/ANSI A117.1

P72080

ADA



PRODUCT INFORMATION		
Fixture*:	Basin Area	Water Depth
Lavatory	13" (330 mm) x 17" (432 mm)	5" (127 mm)
Outlet	Ø 1-3/4" (44 mm)	
*Approximate Measurements For Comparison Only		
Included Components:		
Cutout Template	1197156-7	
Hardware Kit	91915	

INSTALLATION NOTES
All dimensions are nominal.
Will comply with ADA when installed per section 606 Lavatories and Sinks of the 2010 ADA Standards for Accessible Design.

SPECIFIED MODEL		
Model	Description	Finishes
P72080-00	Bacifiore Undercounter Basin	<input type="checkbox"/> PDS Polished/Distressed