

# KALLISTA Counterpoint® Pressure Balance Valve Trim & Pressure Balance Valve Trim with Diverter

## FEATURES

- Solid brass construction for durability and reliability
- Pressure-balancing technology maintains water temperature within +/-3 degrees Fahrenheit
- High-temperature limit stop helps eliminate scalding
- Complements the Counterpoint collection

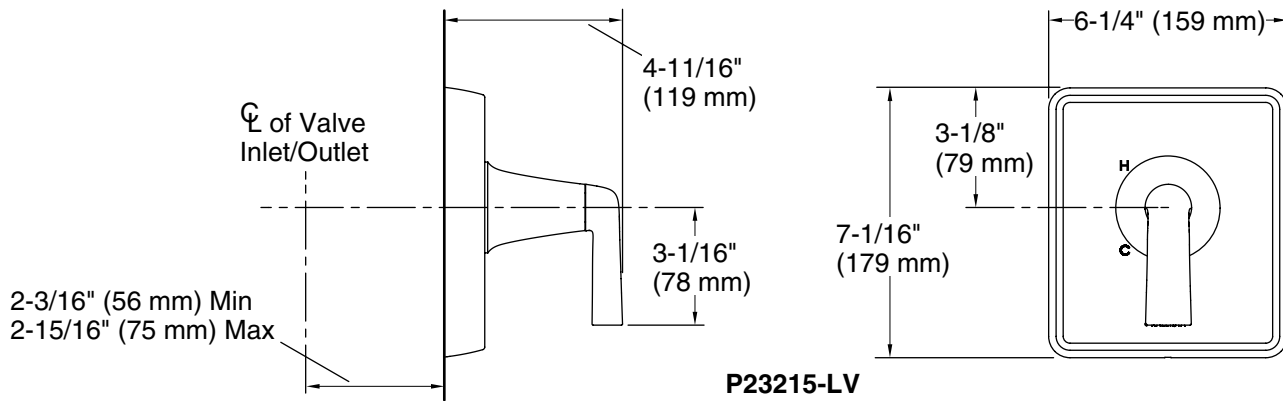
## CODES/STANDARDS APPLICABLE

- Specified model meets or exceeds the following:
- ASME A112.18.1/CSA B125.1
  - ADA
  - ICC/ANSI A117.1

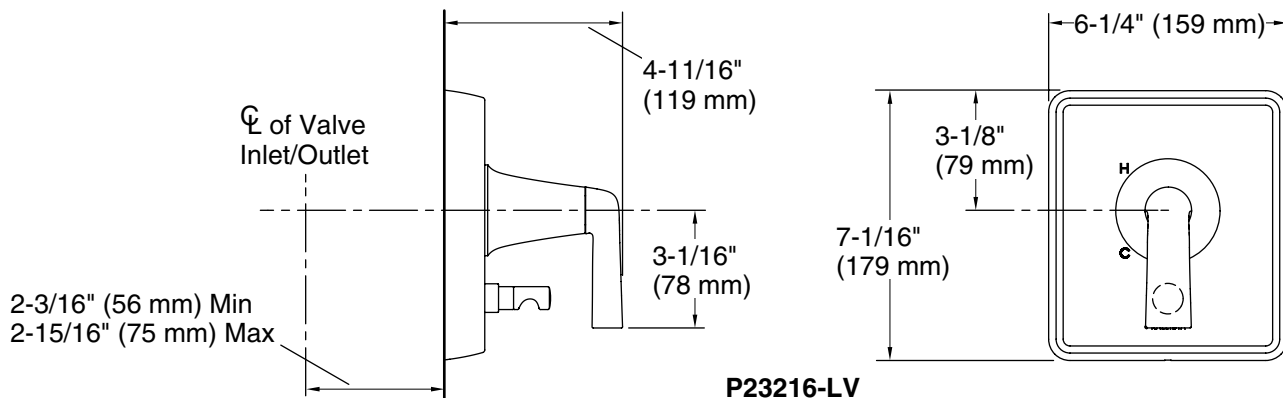
P23215

P23216

ADA



P23215-LV



P23216-LV

## SPECIFIED MODEL

Model	Description	Finishes		
P23215-LV	Counterpoint Pressure Balance Valve Trim, Lever Handle	<input type="checkbox"/> CP Polished Chrome	<input type="checkbox"/> AD Nickel Silver	<input type="checkbox"/> AG Brushed Nickel
P23216-LV	Counterpoint Pressure Balance Valve Trim with Diverter, Lever Handle	<input type="checkbox"/> CP Polished Chrome	<input type="checkbox"/> AD Nickel Silver	<input type="checkbox"/> AG Brushed Nickel
Required Rough-In (1 required)				
P19310-00	Pressure Balance Rough-in for P23215	<input type="checkbox"/> NA		
P19310-WS	Pressure Balance Rough-in with Stops for P23215	<input type="checkbox"/> NA		
P29306-WS	Pressure Balance High-Flow Rough-in for P23215	<input type="checkbox"/> NA		
P29500-00	Pressure Balance Rough-in & Thermostatic Cartridge for P23215	<input type="checkbox"/> NA		
P29500-WS	Pressure Balance Rough-in & Thermostatic Cartridge with Stops for P23215	<input type="checkbox"/> NA		
P29305-00	Pressure Balance with Diverter Rough-in for P23216	<input type="checkbox"/> NA		
P29305-WS	Pressure Balance with Diverter Rough-in with Stops for P23216	<input type="checkbox"/> NA		

We reserve the right to make revisions without notice in the design of products or in packaging unless this right has specifically been waived at the time the order is accepted.