

FEATURES

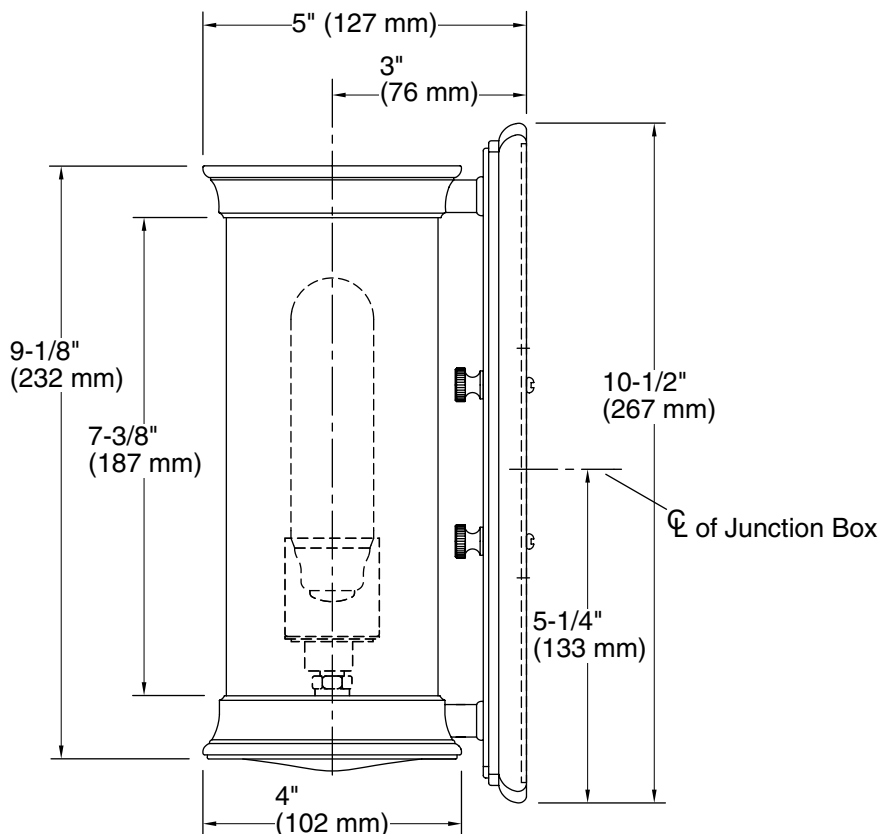
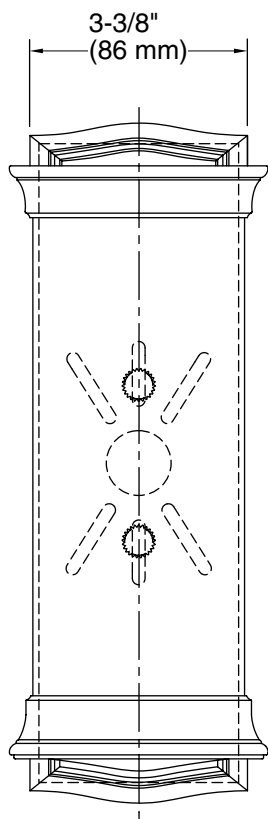
- Solid brass construction for durability and reliability
- Frosted glass shade provides soft, ambient light
- Lift-out cylinder and thumbscrews allow for easy re-lamping
- Complements traditional and transitional Kallista fixtures and faucets

CODES/STANDARDS APPLICABLE

Specified model meets or exceeds the following:

- ANSI/UL 1598
- CSA-C22.2 No. 250.0

P34621



ELECTRICAL NOTES

Recommended Bulb: T10 (60 Watt Max)

SPECIFIED MODEL

Model	Description	Finishes	
P34621-00	Classic Cylinder Wall Sconce	<input type="checkbox"/> CP Polished Chrome	<input type="checkbox"/> AD Nickel Silver
		<input type="checkbox"/> AG Brushed Nickel	

We reserve the right to make revisions without notice in the design of products or in packaging unless this right has specifically been waived at the time the order is accepted.