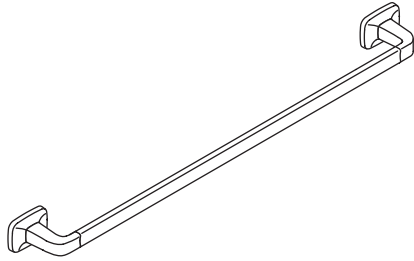
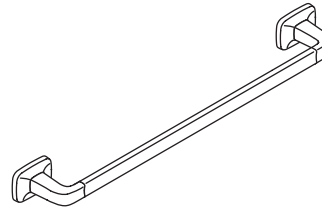


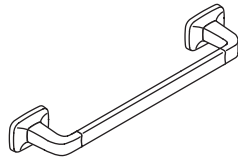
INSTALLATION INSTRUCTIONS



P34700



P34701



P34702



P34706



P34708

INSTALLATION INSTRUCTIONS

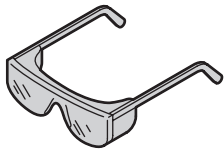
THANK YOU FOR CHOOSING KALLISTA

We appreciate your commitment to Kallista quality products. Please take a moment to review this manual before you install your Kallista product. If you encounter any installation or performance problems, please do not hesitate to contact us at the phone number listed at the bottom of the page.

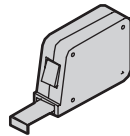
BEFORE YOU BEGIN

- Observe all local building codes.
- Prior to installation, unpack the new product and inspect it for damage. Return the product to its protective carton until you are ready to install it.

TOOLS AND MATERIALS



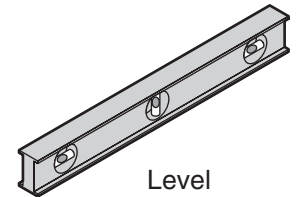
Safety Glasses



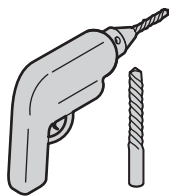
Tape Measure



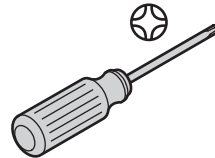
Pencil



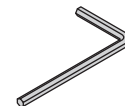
Level



Drill



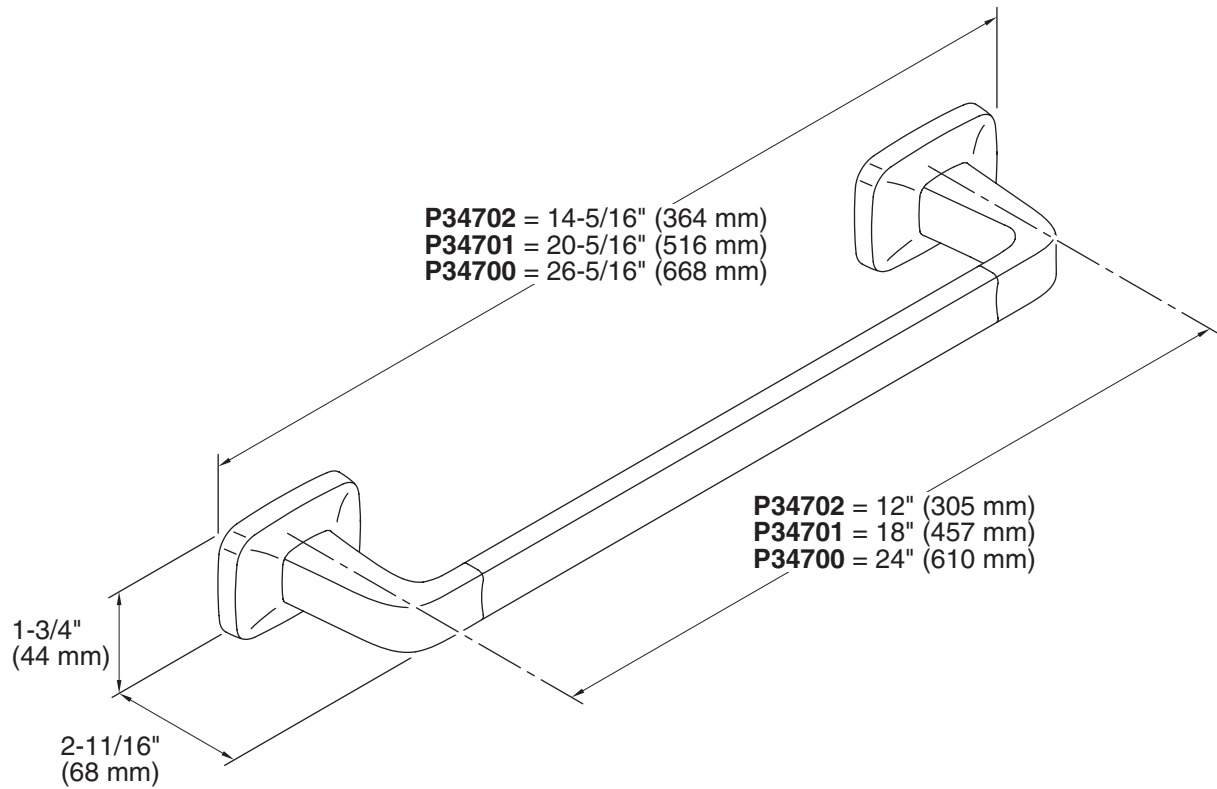
Phillips Screwdriver



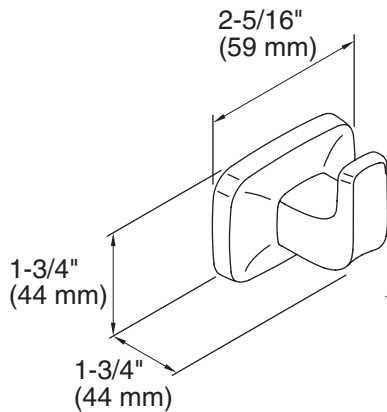
Hex Wrench

INSTALLATION INSTRUCTIONS

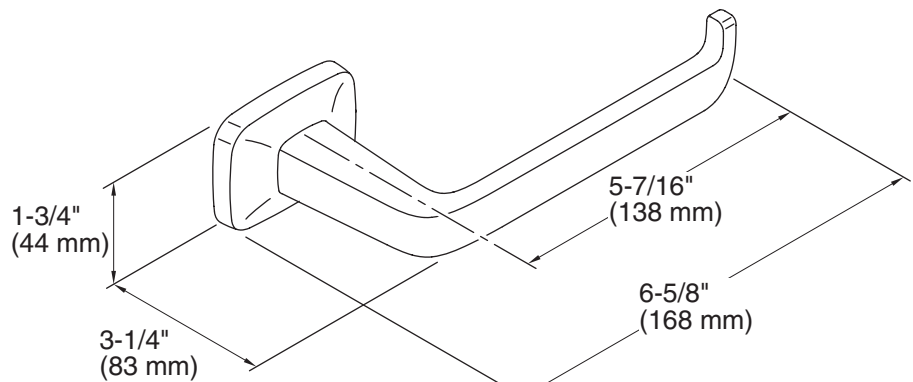
ROUGHING-IN INFORMATION



P34706

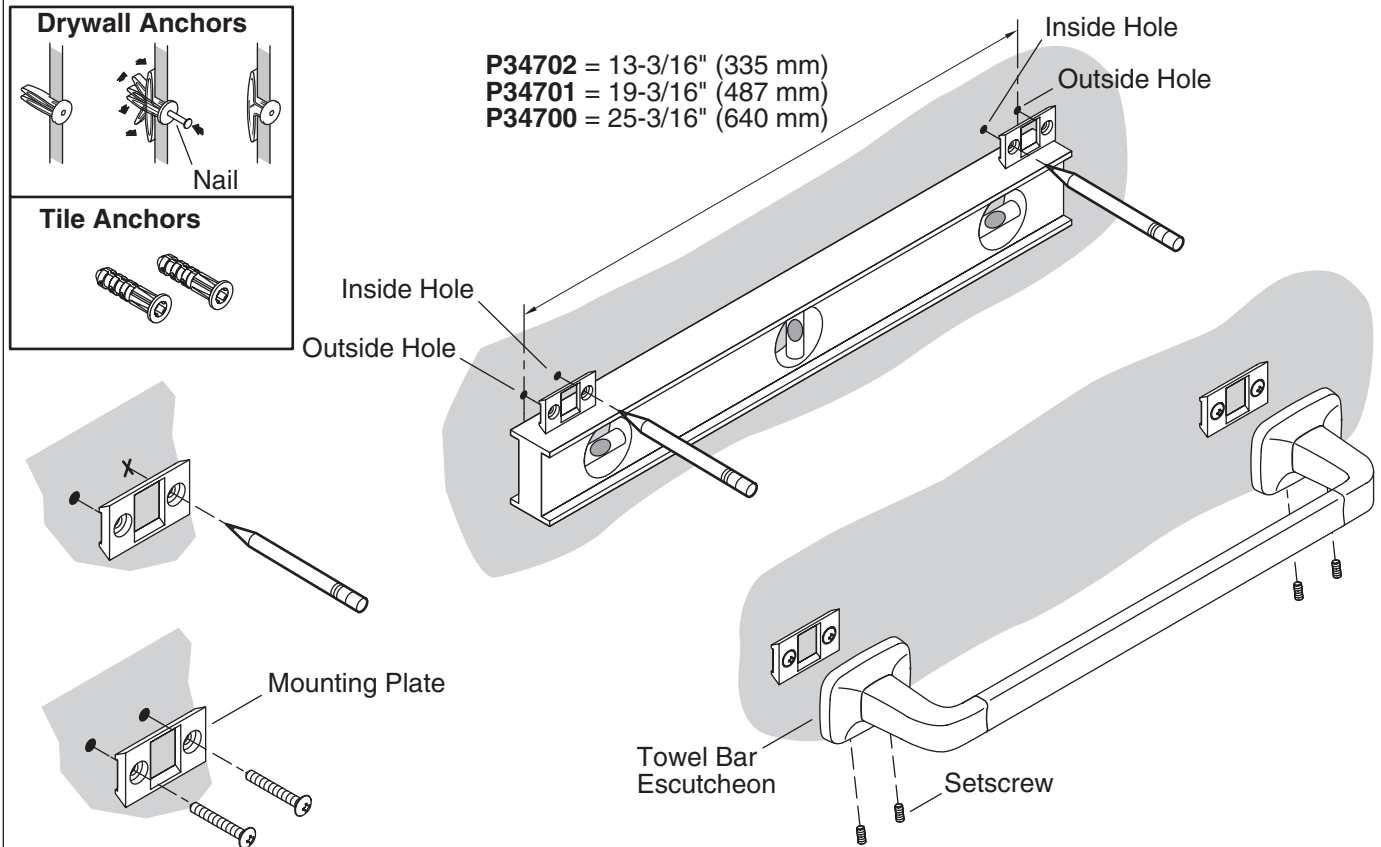


P34708



INSTALLATION INSTRUCTIONS

1. INSTALL THE TOWEL BAR



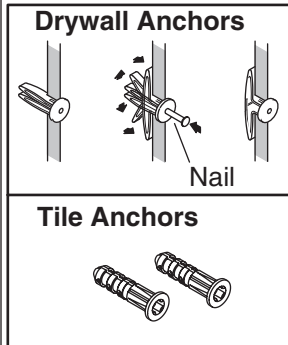
- Measure and mark the outside hole locations for the mounting plates (to the outside edge of the towel bar escutcheon) based on the dimensions shown.
- Align the wall plates with the marked outside hole locations and mark the inside hole for each wall plate (to the inside edge of the towel bar escutcheon).
- Make sure that the mounting plates will be level when mounted.

NOTE: Anchors have been supplied for both drywall and tile applications. If anchors are needed, select the correct anchors for the wall material used.

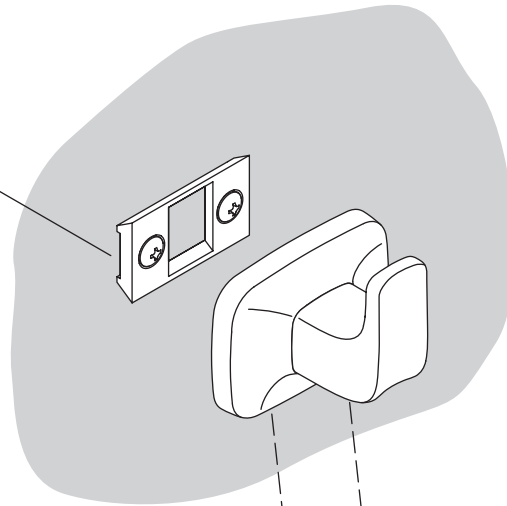
- If drilling into a stud, drill pilot holes for the wood screws. If there is not a stud behind the mounting plate location, drill holes to accommodate the anchors.
- Install the anchors, if using. Attach the mounting plates to the finished wall with the wood screws.
- Use the setscrews to secure the towel bar assembly to the mounting plates.

INSTALLATION INSTRUCTIONS

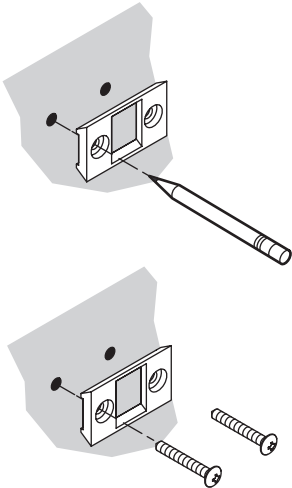
2. INSTALL THE HOOK



Mounting Plate



Setscrew



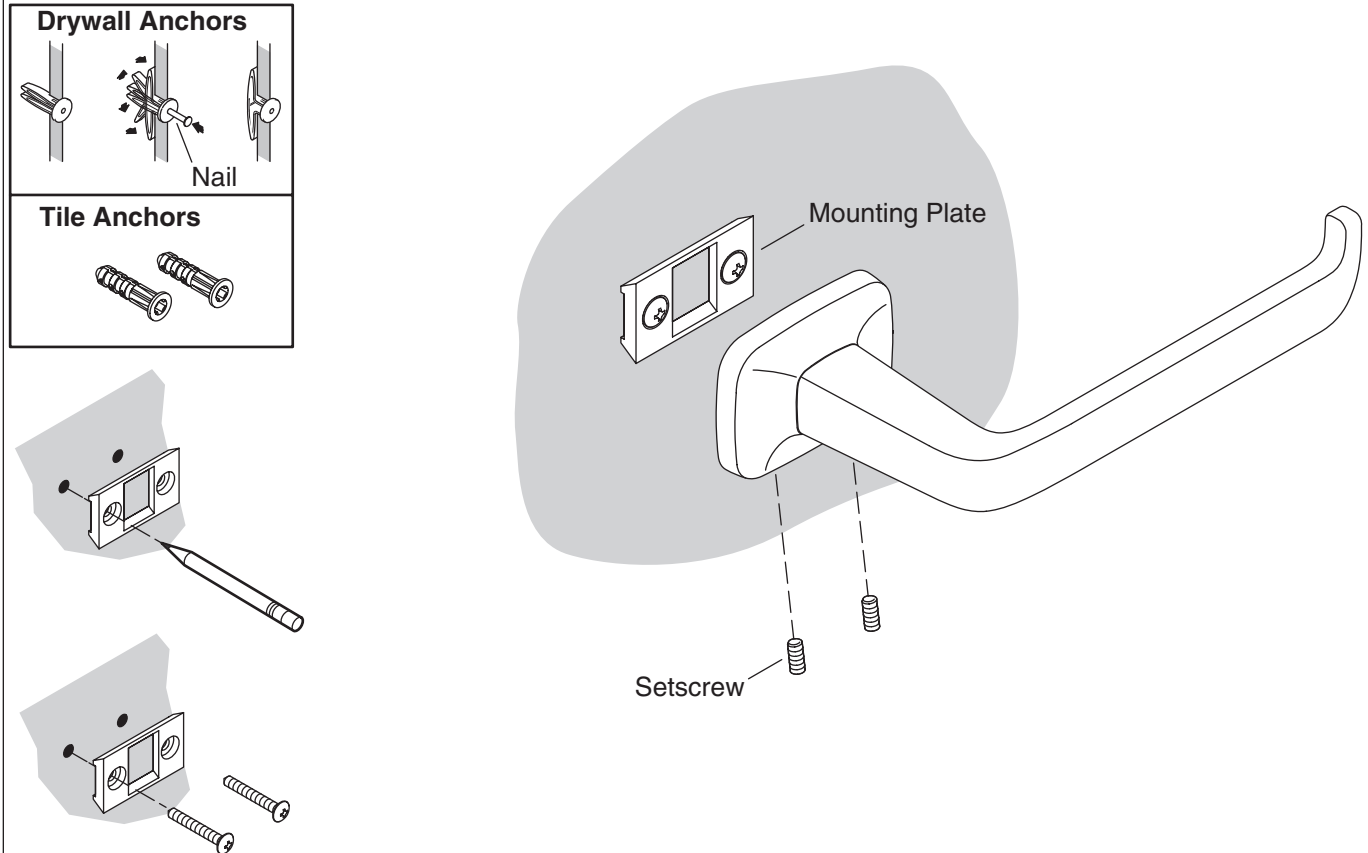
- Determine the location of the mounting plate.
- Mark the location of the mounting plate holes on the finished wall, making sure that the mounting plates will be level when mounted.

NOTE: Anchors have been supplied for both drywall and tile applications. If anchors are needed, select the correct anchors for the type of wall material.

- If drilling into a stud, drill pilot holes for the wood screws. If there is not a stud behind the mounting plate location, drill holes to accommodate the anchors.
- Install the anchors, if using. Attach the mounting plate to the finished wall with the wood screws.
- Secure the hook assembly to the mounting plate with the setscrews.

INSTALLATION INSTRUCTIONS

3. INSTALL THE TISSUE HOLDER



- Determine the location of the mounting plate for the fixed tissue holder arm assembly.
- Mark the location of the mounting plate holes on the finished wall, making sure that the mounting plates will be level when mounted.

NOTE: Anchors have been supplied for both drywall and tile applications. If anchors are needed, select the correct anchors for the type of wall material.

- If drilling into a stud, drill pilot holes for the wood screws. If there is not a stud behind the mounting plate location, drill holes to accommodate the anchors.
- Install the anchors, if using. Attach the mounting plate to the finished wall with the wood screws.
- Secure the fixed tissue holder arm assembly to the mounting plate with the setscrews.