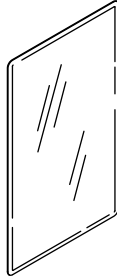


INSTALLATION INSTRUCTIONS



P74115

INSTALLATION INSTRUCTIONS

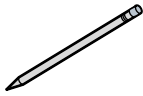
THANK YOU FOR CHOOSING KALLISTA

We appreciate your commitment to KALLISTA quality products. Please take a moment to review this manual before you install your KALLISTA product. If you encounter any installation or performance problems, please do not hesitate to contact us at the phone number listed at the bottom of the page.

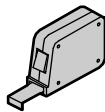
BEFORE YOU BEGIN

- Prior to installation, unpack the new product and inspect it for damage. Return the product to its protective carton until you are ready to install it.
- Install the fasteners to a stud to avoid possible property and product damage. If this is not possible, anchors must be inserted before installing the fasteners.
- Observe all local plumbing and building codes.
- KALLISTA reserves the right to make revisions in the design of products without notice, as specified in the Price Book.

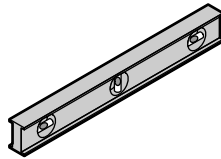
TOOLS AND MATERIALS



Pencil



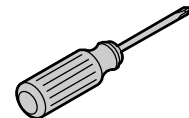
Tape Measure



Level

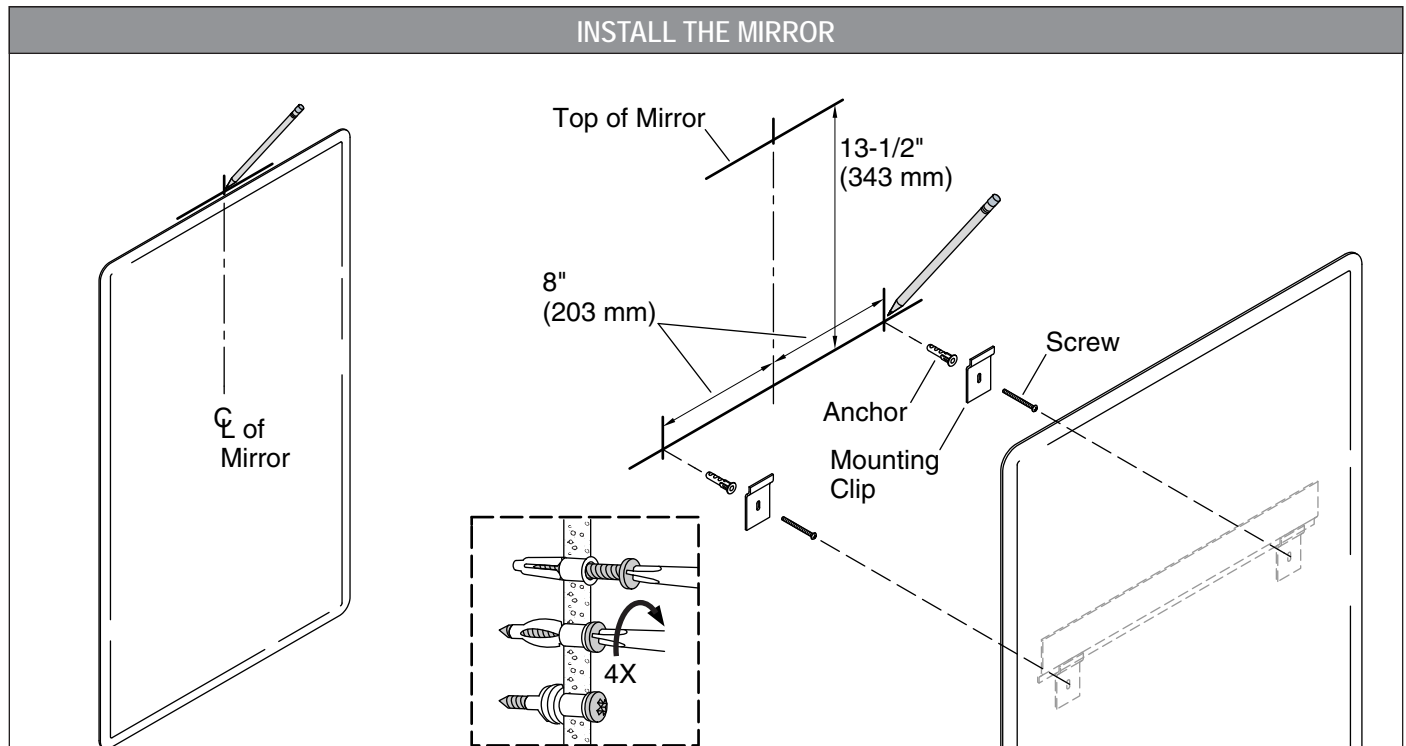


Drill



Phillips Screwdriver

INSTALLATION INSTRUCTIONS



IMPORTANT! Get assistance when determining the placement of the mirror. One person should hold the mirror in place while the other measures and marks the placement.

- Hold the mirror flush against the wall in the desired position.
- Using a pencil, mark the top edge of the mirror on the wall.
- Mark the centerline of the mirror on the line.
- Set the mirror aside.
- Measure and draw a horizontal line 13-1/2" (343 mm) down from the top of the mirror.
- On the horizontal line, make a mark 8" (203 mm) to the left of the centerline. Make another mark 8" (203 mm) to the right of the centerline.
- Drill 9/32" (7 mm) holes for the anchors at the marked locations.

NOTE: If you start drilling into a stud, stop drilling. Instead, use a drill bit smaller than the diameter of the screw to drill a pilot hole.

- Insert the anchors (if used) into the pre-drilled holes.
- Secure the mounting clips to the wall with the screws.
- Ensure the mounting clips are level. Adjust as necessary.
- Turn the screws at least four additional times to secure the anchors, as shown.
- Carefully hang the mirror on the wall so the pre-installed mirror hanger is centered on the mounting clips. The hanger and mounting clips must interlock.