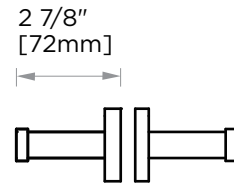
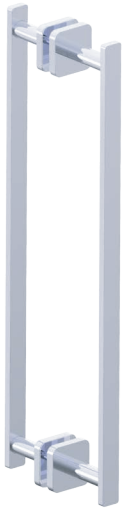


**MILAN COLLECTION**  
**DOUBLE SHOWER**  
**DOOR HANDLE**  
2547824



**PRODUCT NAME:** DOUBLE SHOWER  
DOOR HANDLE

**PRODUCT CODE:** 2547824

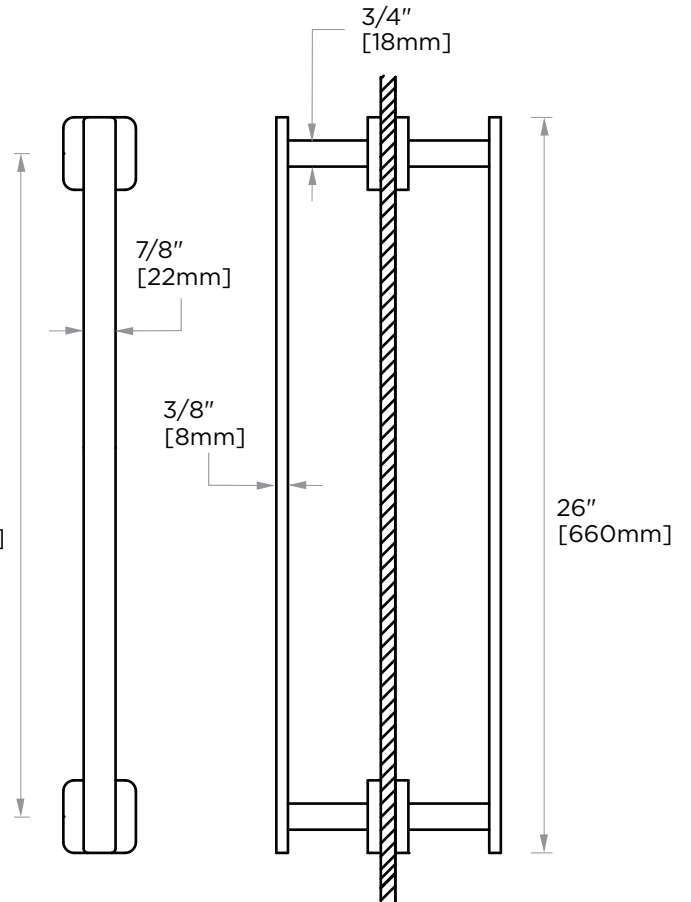
**MATERIAL:** All-brass construction

**KEY FEATURES:** Contemporary design. Clean  
linear statement combined  
with engineered curves.

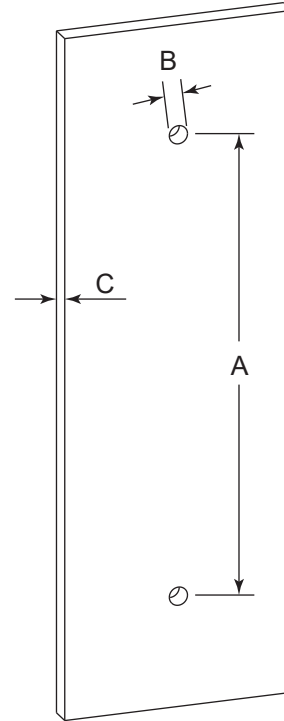
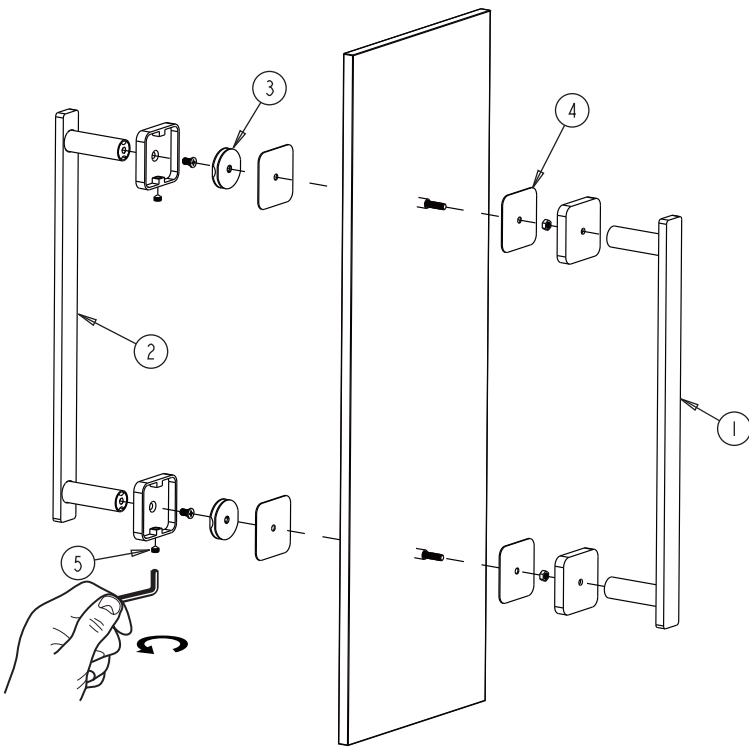
**STOCKED FINISHES:** ● Polished Chrome (99)  
● Brushed Nickel (81)

**SPECIAL FINISHES AVAILABLE:** 26 options available.  
Please see our website for  
full list samples

**WARRANTY:**  
Lifetime Limited (Residential Use)  
One Year (Commercial Use)




NOTE: Dimensions and specifications are subject to change without notice.



### HANDLES INFO

Components Included		
①	Handle A	X1
②	Handle B	X1
③	Fixing Bracket	X2
④	Rubber Gasket	X4
⑤	Set Screw M6	X2

### Mounting Kits Included

	X1	Allen Key
---	----	-----------

### GLASS INFO

Glass Hole C-C Distance		
A	8"/203mm	8" Shower Door Handle
	12"/305mm	12" Shower Door Handle
	18"/457mm	18" Shower Door Handle
	24"/610mm	24" Shower Door Handle
B	1/2"(12mm)	Glass Hole Diameter
C	6-12mm	Glass Thickness

\* Can be used with extension kit for thicker doors

NOTE: Dimensions and specifications are subject to change without notice.