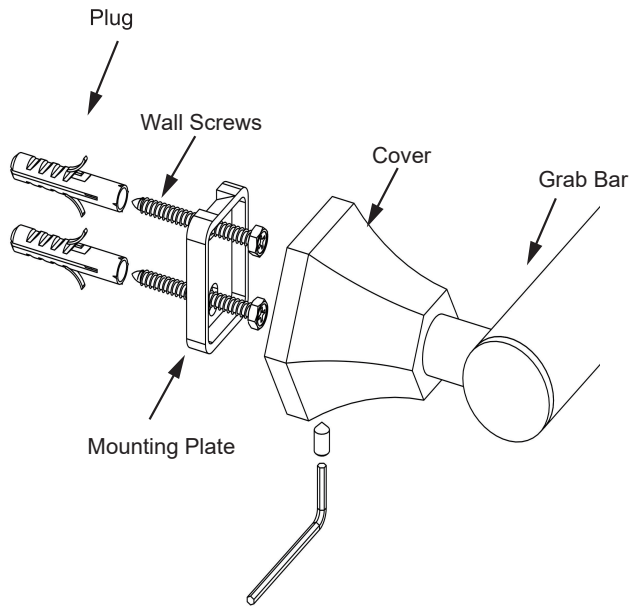


GLASGOW COLLECTION

GRAB BAR

- 12" 3909212
- 18" 3909218
- 24" 3909224
- 36" 3909236
- 42" 3909242



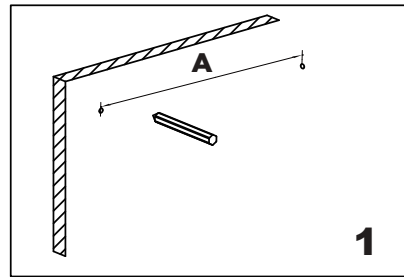
Tools required for installation

| | | |
|-------------|--------|--------|
| | | |
| Level | Pencil | Wrench |
| | | |
| Screwdriver | Drill | Hammer |

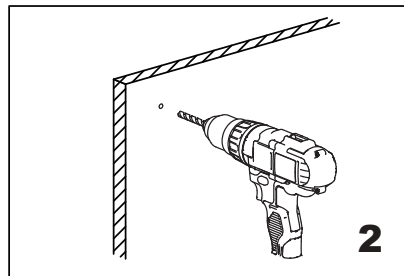
A=Plate TOP holes center to center distance
 B=Plate TOP hole to BOTTOM hole distance
 C=Plate TOP/BOTTOM holes to MID hole distance

| Product Code | Sizes (Inches/mm) A |
|--------------|------------------------|
| 3909212 | 11 3/4" /300 |
| 3909218 | 17 3/4" /450 |
| 3909224 | 23 5/8" /600 |
| 3909236 | 35 1/2" /900 |
| 3909242 | 42 1/8" /1070 |

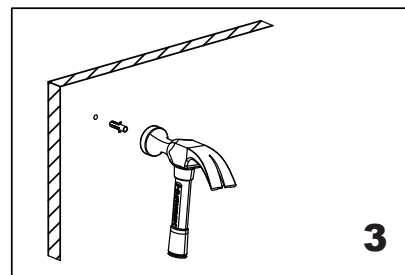
Fig.1



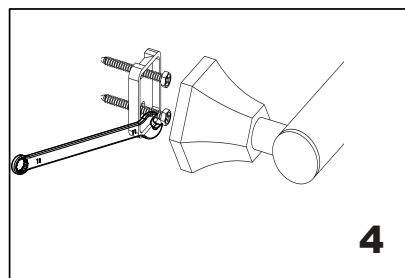
Mark (on the wall) locations of plugs through mounting plate using a pencil, refer to Fig.1



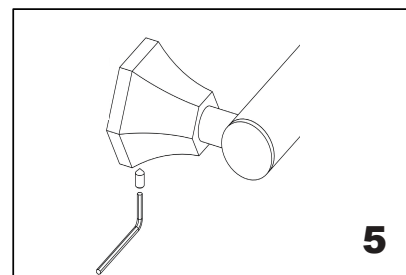
Drill 3/16" holes, make sure to keep drill level



Insert plugs into drilled holes, using a hammer to tap the plugs in, be careful not to break tile



Driver bolt nut directly into holes



Tighten the post on the Mounting plate and fix with Allen Key