



Stainless Steel
KODE507ESS

Capacity

Oven 8.6 cu. ft.

General Features & Properties

FIT System Guarantee

EasyConvect™ Conversion System

4.3 Cu. Ft. Capacity

Even-Heat™ Preheat

SatinGlide™ Roll-Out Extension Rack (both ovens)

Glass-Touch Display with Control Lock Function

Self-Cleaning Cycle

Electrical Details

Amps 40

Volts 240

Certifications

Star-K Certified/Kosher Yes

Technical Details

Fuel Type Electric

Oven Type Double

Oven Cooking System Convection Both Ovens

Number of Oven Racks 3 Each Oven

Cleaning Type Adjustable Self-Cleaning

Dimensions

Product Dimensions (H x W x D) 51-1/4" x 27" x 27-1/8"

Depth with Door Open 90° 46-3/4"

Cutout Dimensions (H x W x D) 50-1/4" x 25-1/2" x 24"

Reference Material

[Dimension Guide](#)

[Install Guide](#)

[Use & Care Guide](#)

[Warranty](#)

Key Features & Benefits

Even-Heat™ True Convection Oven (both ovens)

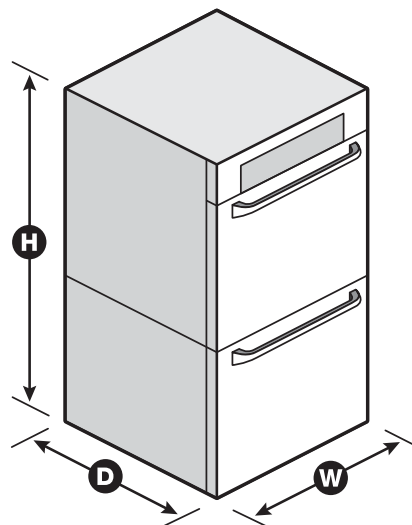
Produces flawless results. The unique bow-tie design and convection fan ensure the inside of the oven is heated to, and stays at, the perfect temperature.

Temperature Probe (both ovens)

Allows accurate measurement of internal temperature of meats, poultry, and casseroles without having to open the oven door.

Professionally-Inspired Design

Combines a bold blend of professionally-inspired styling with sleek touches for the home. This beautiful built-in wall oven features Satin Textured Handles, Precision Touch Controls, a stunning Chrome Inlaid Frame, the KitchenAid® Badge and Brand Medallion.



NOTE: Dimensions are for planning purposes only. For complete details, see Installation Instructions packed with product. Specifications subject to change without notice.