



30" (76.2 CM) AND 36" (91.4 CM) WALL-MOUNT CANOPY RANGE HOOD

Installation Instructions and Use & Care Guide

For questions about features, operation/performance, parts, accessories or service, call: **1-800-422-1230**
or visit our website at **www.kitchenaid.com**.

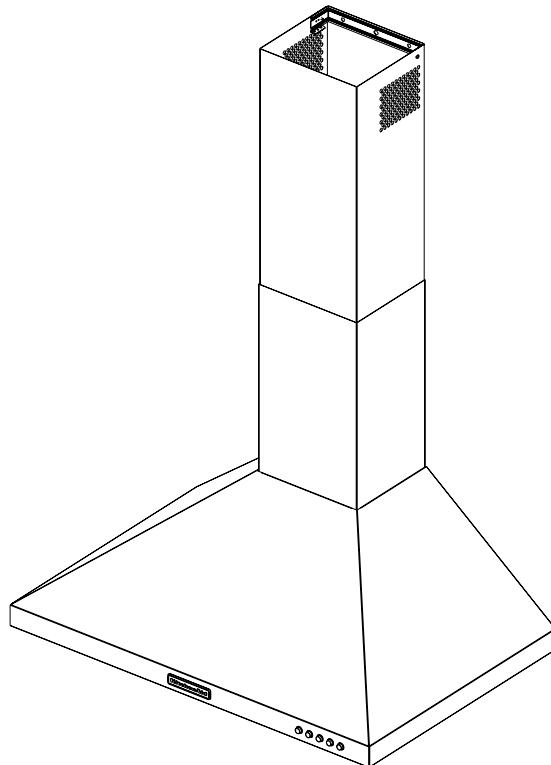
In Canada, for assistance, installation and service, call: **1-800-807-6777**
or visit our website at **www.kitchenaid.ca**.

HOTTE DE CUISINIÈRE CONFIGURÉE EN ÎLOT À MONTAGE MURAL 30" (76,2 CM) ET 36" (91,4 CM)

Instructions d'installation et Guide d'utilisation et d'entretien

Au Canada, pour assistance, installation ou service composez le **1-800-807-6777**
ou visitez notre site web à **www.kitchenaid.ca**.

Table of Contents/Table des matières.....2



**IMPORTANT: READ AND SAVE THESE INSTRUCTIONS.
FOR RESIDENTIAL USE ONLY.**

**IMPORTANT : LIRE ET CONSERVER CES INSTRUCTIONS.
POUR UTILISATION RÉSIDENIELLE UNIQUEMENT.**

TABLE OF CONTENTS

RANGE HOOD SAFETY	2
INSTALLATION REQUIREMENTS	4
Tools and Parts.....	4
Location Requirements.....	4
Venting Requirements.....	5
Electrical Requirements.....	6
INSTALLATION INSTRUCTIONS	7
Prepare Location.....	7
Install Range Hood.....	8
Connect Vent System.....	8
Make Electrical Connection.....	9
Install Vent Covers.....	9
Complete Installation.....	9
RANGE HOOD USE	10
Range Hood Controls.....	10
RANGE HOOD CARE	11
Cleaning.....	11
WIRING DIAGRAM	12
ASSISTANCE OR SERVICE	13
In the U.S.A.....	13
In Canada.....	13
Accessories.....	13
WARRANTY	14

TABLE DES MATIÈRES

SÉCURITÉ DE LA HOTTE DE CUISINIÈRE	15
EXIGENCES D'INSTALLATION	17
Outils et pièces.....	17
Exigences d'emplacement.....	18
Exigences concernant l'évacuation.....	19
Spécifications électriques.....	20
INSTRUCTIONS D'INSTALLATION	21
Préparation de l'emplacement.....	21
Installation de la hotte.....	22
Raccordement du circuit d'évacuation.....	22
Raccordement électrique.....	23
Installation des cache-conduits.....	24
Achever l'installation.....	24
UTILISATION DE LA HOTTE	25
Commandes de la hotte de cuisinière.....	25
ENTRETIEN DE LA HOTTE	26
Nettoyage.....	26
SCHÉMA DE CÂBLAGE	27
ASSISTANCE OU SERVICE	28
Au Canada.....	28
Accessoires.....	28
GARANTIE	30

RANGE HOOD SAFETY

Your safety and the safety of others are very important.

We have provided many important safety messages in this manual and on your appliance. Always read and obey all safety messages.



This is the safety alert symbol.

This symbol alerts you to potential hazards that can kill or hurt you and others.

All safety messages will follow the safety alert symbol and either the word "DANGER" or "WARNING."

These words mean:

⚠ DANGER

You can be killed or seriously injured if you don't immediately follow instructions.

⚠ WARNING

You can be killed or seriously injured if you don't follow instructions.

All safety messages will tell you what the potential hazard is, tell you how to reduce the chance of injury, and tell you what can happen if the instructions are not followed.

State of California Proposition 65 Warnings:

WARNING: This product contains one or more chemicals known to the State of California to cause cancer.

WARNING: This product contains one or more chemicals known to the State of California to cause birth defects or other reproductive harm.

IMPORTANT SAFETY INSTRUCTIONS

WARNING: TO REDUCE THE RISK OF FIRE, ELECTRIC SHOCK, OR INJURY TO PERSONS, OBSERVE THE FOLLOWING:

- Use this unit only in the manner intended by the manufacturer. If you have questions, contact the manufacturer.
- Before servicing or cleaning the unit, switch power off at service panel and lock the service disconnecting means to prevent power from being switched on accidentally. When the service disconnecting means cannot be locked, securely fasten a prominent warning device, such as a tag, to the service panel.
- Installation work and electrical wiring must be done by qualified person(s) in accordance with all applicable codes and standards, including fire-rated construction.
- Do not operate any fan with a damaged cord or plug. Discard fan or return to an authorized service facility for examination and/or repair.
- Sufficient air is needed for proper combustion and exhausting of gases through the flue (chimney) of fuel burning equipment to prevent backdrafting. Follow the heating equipment manufacturer's guideline and safety standards such as those published by the National Fire Protection Association (NFPA), the American Society for Heating, Refrigeration and Air Conditioning Engineers (ASHRAE), and the local code authorities.
- When cutting or drilling into wall or ceiling, do not damage electrical wiring and other hidden utilities.
- Ducted fans must always be vented outdoors.

CAUTION: For general ventilating use only. Do not use to exhaust hazardous or explosive materials and vapors.

CAUTION: To reduce risk of fire and to properly exhaust air, be sure to duct air outside - do not vent exhaust air into spaces within walls or ceilings, attics or into crawl spaces, or garages.

WARNING: TO REDUCE THE RISK OF FIRE, USE ONLY METAL DUCTWORK.

WARNING: TO REDUCE THE RISK OF A RANGE TOP GREASE FIRE:

- Never leave surface units unattended at high settings. Boilovers cause smoking and greasy spillovers that may ignite. Heat oils slowly on low or medium settings.
- Always turn hood ON when cooking at high heat or when flambeing food (i.e. Crepes Suzette, Cherries Jubilee, Peppercorn Beef Flambé).
- Clean ventilating fans frequently. Grease should not be allowed to accumulate on fan or filter.
- Use proper pan size. Always use cookware appropriate for the size of the surface element.

WARNING: TO REDUCE THE RISK OF INJURY TO PERSONS IN THE EVENT OF A RANGE TOP GREASE FIRE, OBSERVE THE FOLLOWING:^a

- SMOTHER FLAMES with a close fitting lid, cookie sheet, or metal tray, then turn off the burner. BE CAREFUL TO PREVENT BURNS. If the flames do not go out immediately, EVACUATE AND CALL THE FIRE DEPARTMENT.
- NEVER PICK UP A FLAMING PAN - you may be burned.
- DO NOT USE WATER, including wet dishcloths or towels - a violent steam explosion will result.
- Use an extinguisher ONLY if:
 - You know you have a class ABC extinguisher, and you already know how to operate it.
 - The fire is small and contained in the area where it started.
 - The fire department is being called.
 - You can fight the fire with your back to an exit.

^aBased on "Kitchen Fire Safety Tips" published by NFPA.

- **WARNING:** To reduce the risk of fire or electrical shock, do not use this fan with any solid-state speed control device.

READ AND SAVE THESE INSTRUCTIONS

INSTALLATION REQUIREMENTS

Tools and Parts

Gather the required tools and parts before starting installation. Read and follow the instructions provided with any tools listed here.

Tools needed:

- Level
- Drill with 1¹/₄" (3.0 cm), 3⁸/₈" (9.5 mm), and 5¹⁶/₁₆" (7.9 mm) drill bits
- Pencil
- Wire stripper or utility knife
- Tape measure or ruler
- Pliers
- Caulking gun and weatherproof caulking compound
- Vent clamps
- Jigsaw or keyhole saw
- Flat-blade screwdriver
- Metal snips
- Phillips screwdriver
- Metric hex key set

Parts needed:

- Home power supply cable
- 1²/₂" (12.7 mm) UL Listed or CSA Approved strain relief
- 3 UL Listed wire connectors

For vented installations, you will also need:

- 1 wall or roof cap
- Metal vent system

For non-vented (recirculating) installations, you will also need:

- Recirculation Kit Part Number W1027063 for non-vented (recirculating) installations only. See the "Assistance or Service" section to order.
- Charcoal Filter Kit part number W1027068 for non-vented (recirculating) installations only. See the "Assistance or Service" section to order.
- 6" (15.2 cm) diameter round metal vent duct - length required is determined by ceiling height.

Parts supplied

Remove parts from packages. Check that all parts are included.

- Hood canopy assembly with ventilator and light bulbs installed
- Vent transition with back draft dampers installed
- Metal grease filter(s)
- Vent cover support bracket
- Mounting template
- 2-piece vent cover
- 4 - 3.5 x 9.5 mm screws
- 4 - 3.5 x 6.5 mm screws
- 2 - 2.9 x 6.5 mm screws
- 6 - 5 x 45 mm mounting screws
- 2 - 8 x 40 mm wall anchors
- 4 - 10 x 60 mm wall anchors
- 4 - 5.4 x 75 mm screws (for 10 x 60 mm wall anchors)
- Torx^{®†} T20[†] adapter

Location Requirements

IMPORTANT: Observe all governing codes and ordinances.

Have a qualified technician install the range hood. It is the installer's responsibility to comply with installation clearances specified on the model/serial/rating plate. The model/serial/rating plate is located inside the range hood on the rear wall of the range hood.

Canopy hood location should be away from strong draft areas, such as windows, doors, and strong heating vents.

Cabinet opening dimensions that are shown must be used. Given dimensions provide minimum clearance.

This range hood is recommended for use with cooktops with a maximum total rating of 65,000 BTUs or less.

Grounded electrical outlet is required. See the "Electrical Requirements" section.

The canopy hood is factory set for venting through the roof or wall. For non-vented (recirculating) installation, see "For Non-vented (recirculating) Installations Only" in the "Connect Vent System" section. The Recirculation Kit Part Number is W1027063. Charcoal filters are also required for non-vented (recirculating) installations. The Charcoal Filter Kit Part Number is W1027068. See the "Assistance or Service" section to order.

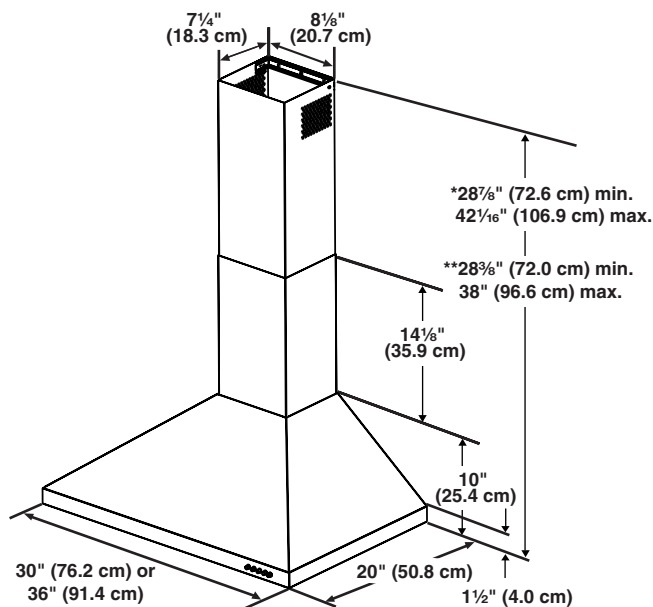
All openings in ceiling and wall where canopy hood will be installed must be sealed.

For Mobile Home Installations:

The installation of this range hood must conform to the Manufactured Home Construction Safety Standards, Title 24 CFR, Part 328 (formerly the Federal Standard for Mobile Home Construction and Safety, Title 24, HUD, Part 280) or when such standard is not applicable, the standard for Manufactured Home Installation 1982 (Manufactured Home Sites, Communities and Setups) ANSI A225.1/NFPA 501A or latest edition, or with local codes.

†[®]TORX and T20 are registered trademarks of Acument Intellectual Properties, LLC.

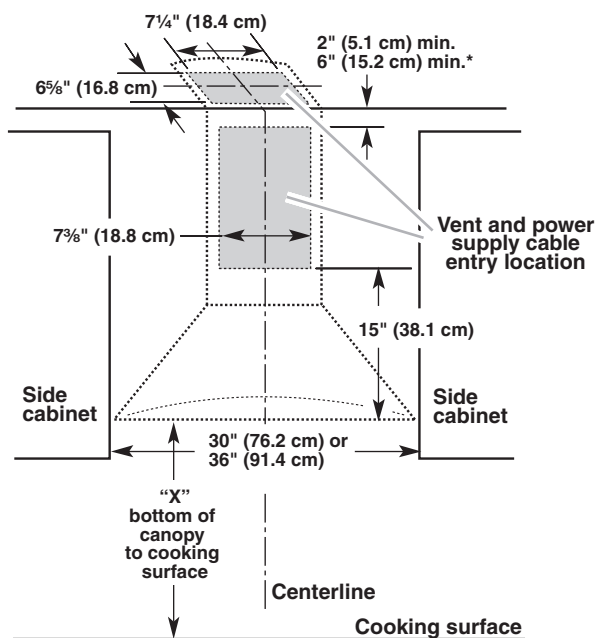
Product Dimensions



* For non-vented (recirculating) installations

** For vented installations

Cabinet Dimensions



* For non-vented (recirculating) installations

IMPORTANT:

Minimum distance "X": 24" (61.0 cm) from electric cooking surface.

Minimum distance "X": 27" (68.6 cm) from gas cooking surfaces.

Suggested maximum distance "X": 36" (91.4 cm)

The chimneys can be adjusted for different ceiling heights. See the following chart.

Vented Installations		
	Min. ceiling height	Max. ceiling height
Electric cooking surface	7' 5" (2.26 m)	9' 2" (2.79 m)
Gas cooking surface	7' 8" (2.34 m)	9' 2" (2.79 m)
Non-vented (recirculating) Installations		
	Min. ceiling height	Max. ceiling height
Electric cooking surface	7' 5" (2.26 m)	9' 6" (2.9 m)
Gas cooking surface	7' 8" (2.34 m)	9' 6" (2.9 m)

NOTE: The range hood chimneys are adjustable and designed to meet varying ceiling or soffit heights depending on the distance "X" between the bottom of the range hood and the cooking surface. For higher ceilings, a Stainless Steel Chimney Extension Kit Part Number W10337357 is available from your dealer or an authorized parts distributor. The chimney extension replaces the upper chimney shipped with the range hood.

Venting Requirements (venting models only)

- Vent system must terminate to the outdoors, except for non-vented (recirculating) installations.
- Do not terminate the vent system in an attic or other enclosed area.
- Do not use 4" (10.2 cm) laundry-type wall cap.
- Use metal vent only. Rigid metal vent is recommended. Plastic or metal foil vent is not recommended.
- The length of vent system and number of elbows should be kept to a minimum to provide efficient performance.

For the most efficient and quiet operation:

- Use no more than three 90° elbows.
- Make sure there is a minimum of 24" (61 cm) of straight vent between the elbows if more than 1 elbow is used.
- Do not install 2 elbows together.
- Use clamps to seal all joints in the vent system.
- The vent system must have a damper. If the roof or wall cap has a damper, do not use the damper supplied with the range hood.
- Use caulking to seal exterior wall or roof opening around the cap.
- The size of the vent should be uniform.

Cold Weather Installations:

An additional backdraft damper should be installed to minimize backward cold air flow and a thermal break should be installed to minimize conduction of outside temperatures as part of the vent system. The damper should be on the cold air side of the thermal break.

The break should be as close as possible to where the vent system enters the heated portion of the house.

Makeup Air:

Local building codes may require the use of makeup air systems when using ventilation systems greater than specified CFM of air movement. The specified CFM varies from locale to locale. Consult your HVAC professional for specific requirements in your area.

Venting Methods

This canopy hood is factory set for venting through the roof or wall.

A 6" (15.2 cm) round vent system is needed for installation (not included). The hood exhaust opening is 6" (15.2 cm) round.

NOTE: Flexible vent is not recommended. Flexible vent creates back pressure and air turbulence that greatly reduce performance.

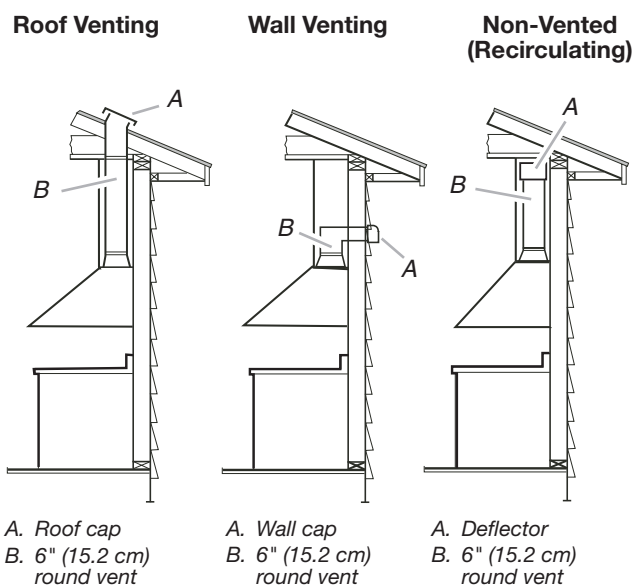
Vent system can terminate either through the roof or wall. To vent through a wall, a 90° elbow is needed.

Rear Discharge

A 90° elbow may be installed immediately above the hood.



For Non-Vented (Recirculating) Installations

If it is not possible to vent cooking fumes and vapors to the outside, the hood can be used in the non-vented (recirculating) version, using a Recirculation Kit (which includes charcoal filters and a deflector). To order, see the "Assistance or Service" section.



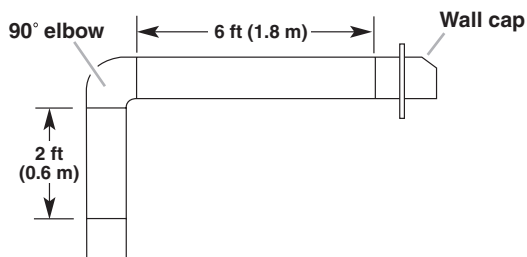
Calculating Vent System Length

To calculate the length of the system you need, add the equivalent feet (meters) for each vent piece used in the system.

Vent Piece	6" (15.2 cm) Round
45° elbow	2.5 ft (0.8 m) 
90° elbow	5.0 ft (1.5 m) 

Maximum equivalent vent length is 35 ft (10.7 m).

Example Vent System



The following example falls within the maximum recommended vent length of 35 ft (10.7 m).

1 - 90° elbow	5.0 ft (1.5 m)
1 - wall cap	0.0 ft (0.0 m)
8 ft (2.4 m) straight	8.0 ft (2.4 m)
Length of system	13.0 ft (3.9 m)

Electrical Requirements

Observe all governing codes and ordinances.

Ensure that the electrical installation is adequate and in conformance with National Electrical Code, ANSI/NFPA 70 (latest edition), or CSA Standards C22.1-94, Canadian Electrical Code, Part 1 and C22.2 No. 0-M91 (latest edition) and all local codes and ordinances.

If codes permit and a separate ground wire is used, it is recommended that a qualified electrician determine that the ground path is adequate.

A copy of the above code standards can be obtained from:

National Fire Protection Association
1 Batterymarch Park
Quincy, MA 02169-7471
CSA International
8501 East Pleasant Valley Road
Cleveland, OH 44131-5575

- A 120-volt, 60 Hz., AC-only, 15-amp, fused electrical circuit is required.
- If the house has aluminum wiring, follow the procedure below:
 1. Connect a section of solid copper wire to the pigtail leads.
 2. Connect the aluminum wiring to the added section of copper wire using special connectors and/or tools designed and UL Listed for joining copper to aluminum.

Follow the electrical connector manufacturer's recommended procedure. Aluminum/copper connection must conform with local codes and industry accepted wiring practices.

- Wire sizes and connections must conform with the rating of the appliance as specified on the model/serial/rating plate. The model/serial/rating plate is located behind the left filter on the rear wall of the range hood.
- Wire sizes must conform to the requirements of the National Electrical Code, ANSI/NFPA 70 (latest edition), or CSA Standards C22.1-94, Canadian Electrical Code, Part 1 and C22.2 No. 0-M91 (latest edition) and all local codes and ordinances.

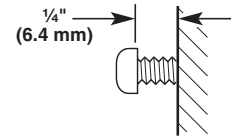
INSTALLATION INSTRUCTIONS

Prepare Location

- It is recommended that the vent system be installed before hood is installed.
 - Before making cutouts, make sure there is proper clearance within the ceiling or wall for exhaust vent.
 - Check your ceiling height and the hood height maximum before you select your hood.
1. Disconnect power.
 2. Determine which venting method to use: roof, wall, or non-vented.
 3. Select a flat surface for assembling the range hood. Place covering over that surface.

6. For wood, install (2) 5 x 45 mm mounting screws. Leave a 1/4" (6.4 mm) gap between the wall and the back of the screw head to slide range hood into place.

For wall anchors, install the 10 x 60 mm wall anchors and install the 5.4 x 75 mm screws into the wall anchors. Tighten until the wall anchors are secure. Back the screws out 1/4" (6.4 mm).



! WARNING

Excessive Weight Hazard

Use two or more people to move and install range hood.

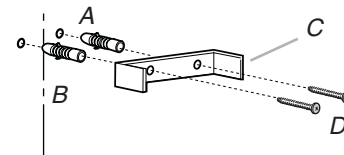
Failure to do so can result in back or other injury.

4. Using 2 or more people, lift range hood onto covered surface.

Vent Cover Support Bracket Installation

Installations using telescoping upper and lower vent cover assembly

1. Position vent cover bracket on wall about 1/8" (3.0 mm) away from the ceiling.
2. Mark the hole locations.
3. Drill (2) 3/8" (9.5 mm) holes for 8 x 40 mm wall anchors and insert anchors flush with the wall.

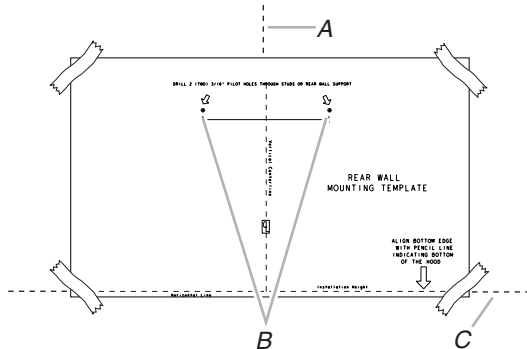


- A. 8 x 40 mm wall anchors
- B. Centerline on wall
- C. Vent cover support bracket
- D. 5 x 45 mm screws

4. Attach vent cover support bracket to wall.

Range Hood Mounting Screws Installation

1. Determine and mark the centerline on the wall where the canopy hood will be installed.
2. Select a mounting height between a minimum of 24" (61.0 cm) for an electric cooking surface, a minimum of 27" (68.6 cm) for a gas cooking surface, and a suggested maximum of 36" (91.4 cm) above the range to the bottom of the hood. Mark a reference line on the wall.
3. Tape template in place, aligning the template centerline and bottom of template with hood bottom line and with the centerline marked on the wall.



- A. Centerline
- B. Fastener locations
- C. Mounting height reference

4. Mark centers of the fastener locations through the template to the wall.

IMPORTANT: All canopy mounting screws must be installed into wood where possible. If there is no wood to screw into, additional wall framing supports may be required, or use the (4) 10 x 60 mm wall anchors and 5.4 x 75 mm screws. Remove the template.

5. For wood, drill 3/16" (4.8 mm) pilot holes at all locations where screws are being installed into wood. For wall anchors, drill 7/16" (10 mm) holes at all locations where wall anchors are being used.

Complete Preparation

1. Determine and make all necessary cuts in the wall for the vent system. Install the vent system before installing the hood. See the "Venting Requirements" section.
2. Determine the required height for the home power supply cable and drill a 1 1/4" (3.2 cm) hole at this location.
3. Run the home power supply cable according to the National Electrical Code or CSA Standards and local codes and ordinances. There must be enough 1/2" conduit and wires from the fused disconnect (or circuit breaker) box to make the connection in the hood's electrical terminal box.

NOTE: Do not reconnect power until installation is complete.

4. Use caulk to seal all openings.

Install In-Line Smart Kit - Optional

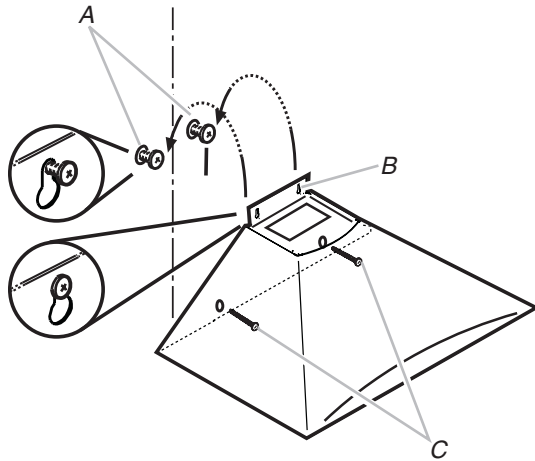
NOTE: Your range hood can work with either an internal or an inline (external) blower motor system. An optional In-Line Smart Kit (purchased separately) allows the blower motor that comes with this range hood to be installed in a location other than inside the range hood cavity.

CAUTION: To reduce the risk of fire and electric shock, install this range hood only with the In-Line Smart Kit manufactured by Whirlpool, Part Number W10692945.

For installation see the In-Line Smart Kit installation instructions. See the "Assistance or Service" section to order.

Install Range Hood

- Using 2 or more people, hang range hood on 2 mounting screws through the mounting slots on back of hood.

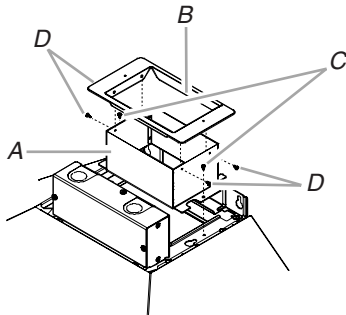


A. Mounting screws
B. Mounting slots
C. Lower mounting screws

- Remove the grease filter. See the "Range Hood Care" section.
- Level the range hood and tighten upper mounting screws.
- Install (2) 5 x 45 mm lower mounting screws and tighten. Use the optional wall anchors if needed.

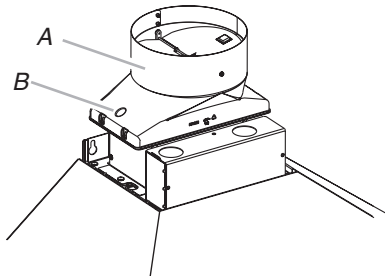
Connect Vent System

- Install the spacer and the outlet plate on top of the hood.



A. Spacer
B. Outlet plate
C. (2) 3.5 x 9.5 mm screws
D. (4) 3.5 x 6.5 mm screws

- Install transition on top of hood (if removed for shipping) with (2) 3.5 x 9.5 mm sheet metal screws.



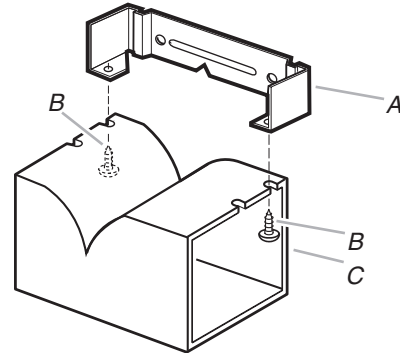
A. Vent transition
B. 3.5 x 9.5 mm screw

For vented installations only:

- Fit vent system over transition piece.
- Seal connection with clamps.
- Check that backdraft dampers work properly.

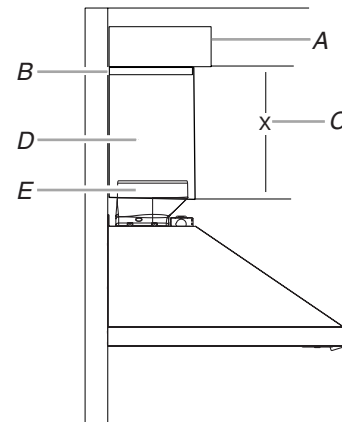
For non-vented (recirculating) installation only:

- Assemble the air deflector with the duct cover bracket with 2 assembly screws provided with the Recirculation Kit.



A. Vent cover bracket
B. 2.9 x 6.5 mm screws
C. Deflector

- Measure from the bottom of the air deflector to the bottom of the hood outlet.



A. Air deflector
B. Vent clamp
C. X = length to cut vent duct
D. Vent duct
E. Exhaust outlet

- Cut the duct to the measured size "X."
- Remove the air deflector.
- Slide the duct onto the bottom of the air deflector.
- Place the assembled air deflector and duct over the exhaust outlet from the hood.
- Reassemble the air deflector to the duct cover bracket with 2 assembly screws.
- Seal connections with vent clamps.

Make Electrical Connection

⚠ WARNING



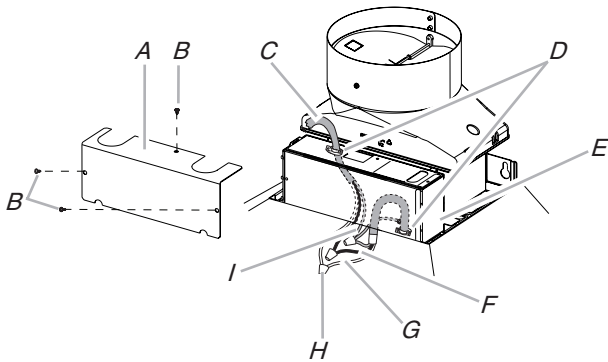
Electrical Shock Hazard

Disconnect power before servicing.

Replace all parts and panels before operating.

Failure to do so can result in death or electrical shock.

1. Disconnect power.
2. Remove terminal box cover.
3. Remove the knockout in the terminal box and install a UL Listed or CSA Approved 1/2" strain relief.
4. Run home power supply wiring through 1/2" strain relief into terminal box.



- | | |
|---|--|
| A. Terminal box cover | F. Black wires |
| B. Screws | G. White wires |
| C. Home power supply | H. UL Listed wire connectors |
| D. 1/2" UL Listed or CSA Approved strain relief | I. Green (or bare) wires connected to yellow-green wires |
| E. Terminal box | |

5. Use UL Listed wire connectors and connect white wires (B) together.
6. Use UL Listed wire connectors and connect black wires (C) together.

⚠ WARNING



Electrical Shock Hazard

Electrically ground blower.

Connect ground wire to green and yellow ground wire in terminal box.

Failure to do so can result in death or electrical shock.

7. Connect green (or bare) ground wire from home power supply to the 2 yellow-green ground wires (D) in terminal box using UL Listed wire connectors.
8. Tighten strain relief screw.
9. Install terminal box cover.
10. Reconnect power.

Optional Power Cord Kit Installations

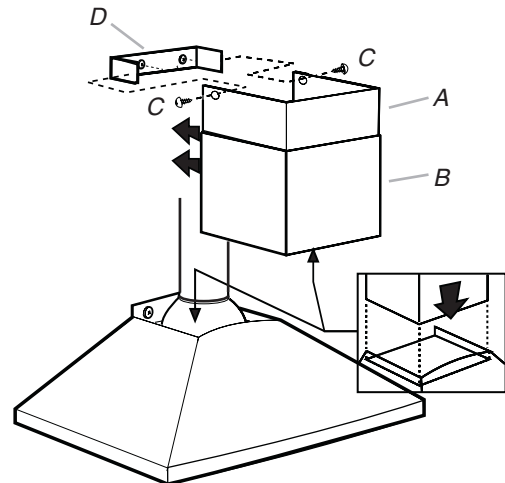
For optional power cord kit installations, follow the instructions supplied with the power cord kit. See the "Assistance or Service" section for information on ordering.

NOTE: Use only with range hood cord connection kits that have been investigated and found acceptable for use with this model range hood.

Install Vent Covers

1. When using both upper and lower vent covers, push lower cover down onto hood and lift upper cover to ceiling and install with (2) 2.9 x 6.5 mm screws.

NOTE: For vented installations, the upper vent cover may be reversed to hide slots.



- | |
|------------------------|
| A. Upper vent cover |
| B. Lower vent cover |
| C. 2.9 x 6.5 mm screws |
| D. Bracket |

Complete Installation

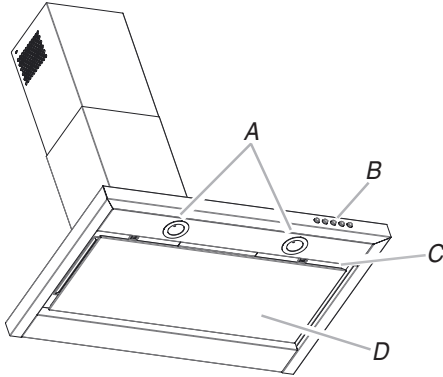
1. For non-vented (recirculating) installations only, install charcoal filters over grille on blower housing. See the "Range Hood Care" section.
2. Install metal filters. See the "Range Hood Care" section.
3. Check the operation of the range hood blower and light. See the "Range Hood Use" section.

NOTE: To get the most efficient use from your new range hood, read the "Range Hood Use" section.

RANGE HOOD USE

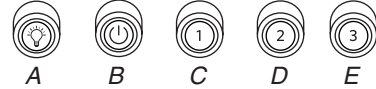
The range hood is designed to remove smoke, cooking vapors, and odors from the cooktop area. For best results, start the hood before cooking and allow it to operate several minutes after the cooking is complete to clear all smoke and odors from the kitchen.

The hood controls are located on the front panel on the right side of the range hood.



- A. LED lights
- B. Blower and light controls
- C. Grease filter (behind stainless steel panel)
- D. Stainless steel panel

Range Hood Controls



- A. Light On/Off button
- B. Blower On/Off button
- C. Blower speed minimum button
- D. Blower speed medium button
- E. Blower speed maximum button

NOTE: Control buttons will light up when range hood is On.

Operating the light

The Light On/Off button (A) controls both lights. Press once for On and again for Off.

Operating the blower

The blower On/Off button (B) turns the blower on or off. The blower Speed buttons (C, D, and E) set the desired speed and control the sound level for quiet operation. The speed can be changed anytime during fan operation by pressing the desired blower speed button.

1. To turn the blower on, press the blower On/Off button (B) and the desired speed button (C, D or E).
 2. To turn the blower off, press the blower On/Off button (B).
- Any of the 3 blower speed buttons can be in the On position at the same time. The blower will operate at the highest speed button that is pushed in. For lower blower speeds, the higher speed buttons must not be pushed in.

RANGE HOOD CARE

Cleaning

IMPORTANT: Clean the hood and grease filters frequently according to the following instructions. Replace grease filters before operating hood.

Exterior Surfaces

To avoid damage to the exterior surface, do not use steel wool or soap-filled scouring pads.

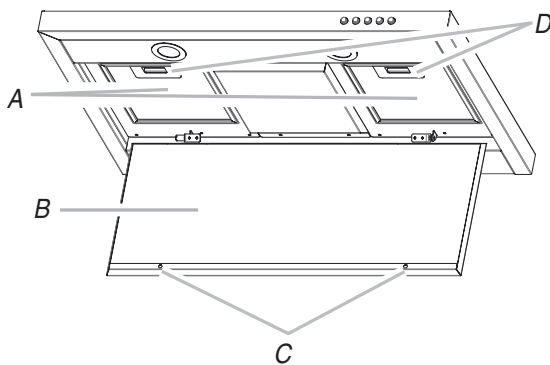
Always wipe dry to avoid water marks.

Cleaning Method

- Liquid detergent soap and water, or all-purpose cleanser
- Wipe with damp soft cloth or nonabrasive sponge, then rinse with clean water and wipe dry.

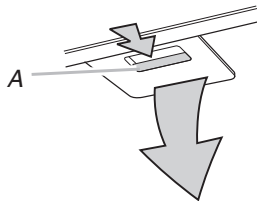
Metal Grease Filter

1. Open the stainless steel panel. Grasp panel at the front corners and pull down to disengage the 2 catch pins from the spring catches. The panel is attached at the rear and will rotate down.



- A. Metal filters
- B. Stainless steel panel
- C. Catch pins (2)
- D. Spring catches (2)

2. Remove each filter by pulling the spring release handle and then pulling down the filter.



- A. Spring release handle

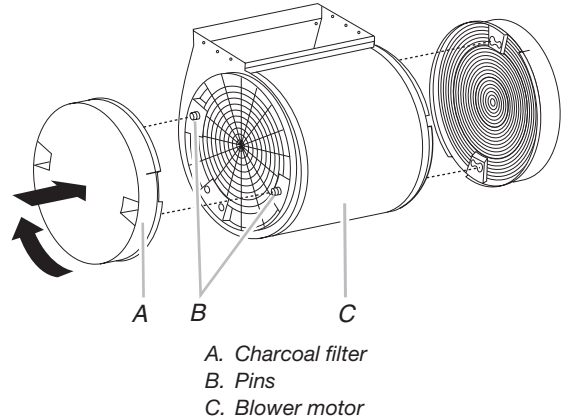
3. Wash metal filters as needed in dishwasher or hot detergent solution.
4. Reinstall the filter by making sure the spring release handles are toward the front. Insert aluminum filter into upper track.
5. Push in spring release handle.
6. Push up on metal filter and release handle to latch into place.
7. Repeat steps 1-5 for the other filter.
8. Close the stainless steel panel. Engage the 2 pins in the spring catches to secure.

Non-Vented (Recirculating) Installation Filters

The charcoal filter is not washable. It should last up to 6 months with normal use. Replace with Charcoal Filter Kit Number W10272068.

To Replace Charcoal Filter:

1. Cover the grille that covers the blower motor with the charcoal filter so that the slots on the filter correspond to the pins on the sides of the motor grille.

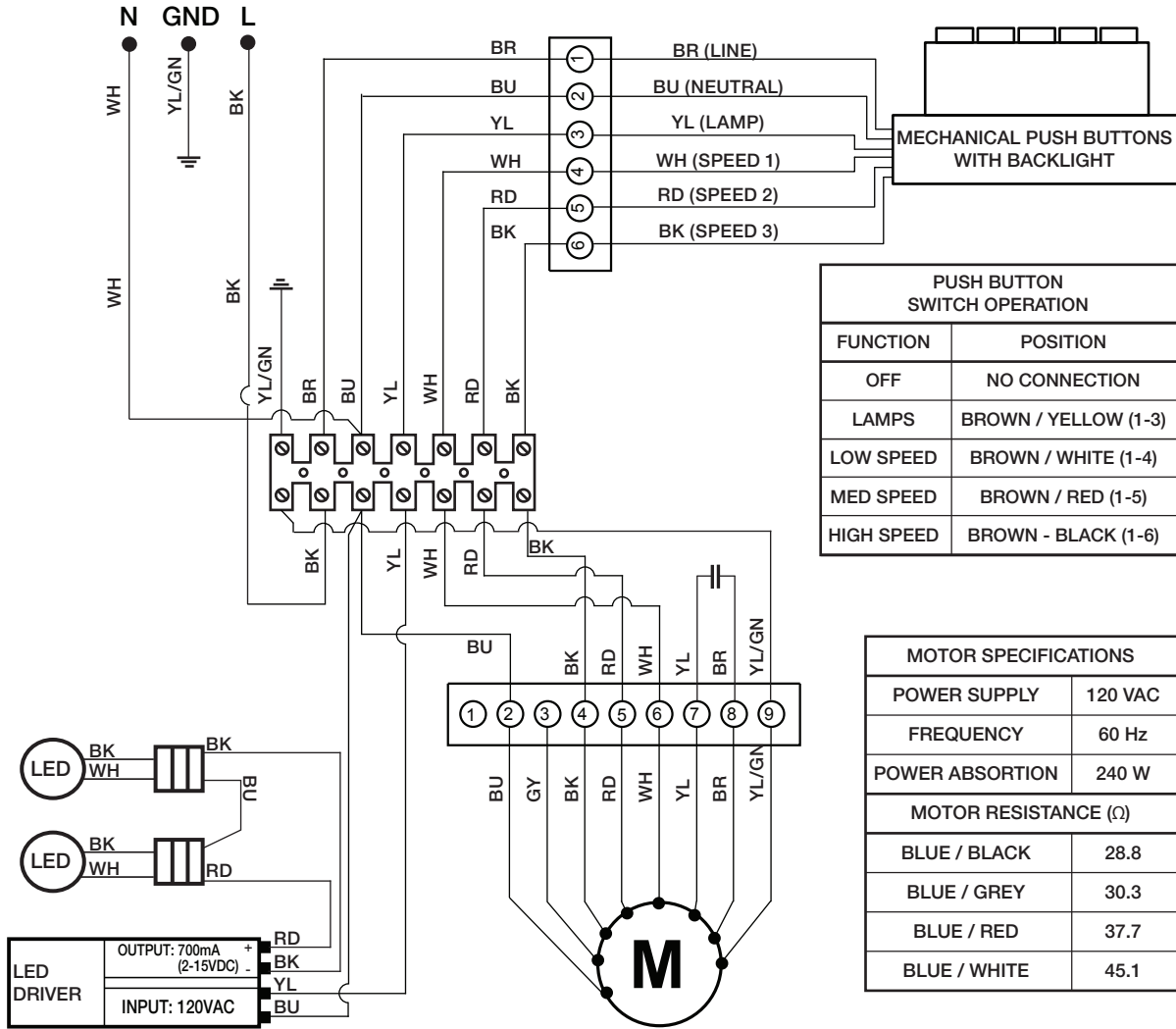


2. Turn the charcoal filter clockwise to lock it.
3. Repeat steps 1-2 on the other filter.

Replacing a Led Lamp

The LED lights are replaceable by a service technician only. See the "Warranty" section for service contact information.

WIRING DIAGRAM



SE134B

ASSISTANCE OR SERVICE

If you need service:

Please refer to the warranty page in this manual.

If you need replacement parts:

If you need to order replacement parts, we recommend that you use only factory specified parts. Factory specified parts will fit right and work right because they are made with the same precision used to build every new appliance.

To locate factory specified replacement parts in your area, call the following customer assistance telephone number or your nearest designated service center.

In the U.S.A.

Call the KitchenAid Customer eXperience Center toll free: **1-800-422-1230** or visit our website at **www.kitchenaid.com**.

Our Consultants Provide Assistance With:

- Scheduling of service. KitchenAid designated service technicians are trained to fulfill the product warranty and provide after-warranty service anywhere in the United States.
- Features and specifications on our full line of appliances.
- Referrals to local dealers.
- Installation information.
- Use and maintenance procedures.
- Accessory and repair parts sales.
- Specialized customer assistance (Spanish speaking, hearing impaired, limited vision, etc.).

For Further Assistance:

If you need further assistance, you can write to KitchenAid with any questions or concerns at:

KitchenAid Brand Home Appliances
Customer eXperience Center
553 Benson Road
Benton Harbor, MI 49022-2692

Please include a daytime phone number in your correspondence.

In Canada

Call the Whirlpool Canada LP Customer eXperience Centre toll free: **1-800-807-6777** or visit our website at **www.kitchenaid.ca**.

Our Consultants Provide Assistance With:

- Scheduling of service. KitchenAid appliances designated service technicians are trained to fulfill the product warranty and provide after-warranty service anywhere in Canada.
- Features and specifications on our full line of appliances.
- Referrals to local dealers.
- Use and maintenance procedures.
- Accessory and repair parts sales.

For Further Assistance:

If you need further assistance, you can write to Whirlpool Canada LP with any questions or concerns at:

Customer eXperience Centre
Whirlpool Canada LP
200 - 6750 Century Ave.
Mississauga, Ontario L5N 0B7

Please include a daytime phone number in your correspondence.

Accessories

Charcoal Filter Kit

(for non-vented installations only)
Order Part Number W10272068

Recirculation Kit

(for non-vented installations only)
Order Part Number W10272063

Chimney Extension Kit

Order Part Number W10337357

Power Cord Kit

Order Part Number W10613691

In-Line Smart Kit

Order Part Number W10692945

KITCHENAID® MAJOR APPLIANCE LIMITED WARRANTY

ATTACH YOUR RECEIPT HERE. PROOF OF PURCHASE IS REQUIRED TO OBTAIN WARRANTY SERVICE.

Please have the following information available when you call the Customer eXperience Center:

- Name, address and telephone number
- Model number and serial number
- A clear, detailed description of the problem
- Proof of purchase including dealer or retailer name and address

IF YOU NEED SERVICE:

1. Before contacting us to arrange service, please determine whether your product requires repair. Some questions can be addressed without service. Please take a few minutes to review the Troubleshooting or Problem Solver section of the Use and Care Guide, scan the QR code on the right to access additional resources, or visit <http://kitchenaid.custhelp.com>.
2. All warranty service is provided exclusively by our authorized KitchenAid Service Providers. In the U.S. and Canada, direct all requests for warranty service to:



<http://kitchenaid.custhelp.com>

KitchenAid Customer eXperience Center

In the U.S.A., call 1-800-422-1230. In Canada, call 1-800-807-6777.

If outside the 50 United States or Canada, contact your authorized KitchenAid dealer to determine whether another warranty applies.

ONE YEAR LIMITED WARRANTY

WHAT IS COVERED

For one year from the date of purchase, when this major appliance is installed, operated and maintained according to instructions attached to or furnished with the product, KitchenAid brand of Whirlpool Corporation or Whirlpool Canada LP (hereafter "KitchenAid") will pay for Factory Specified Replacement Parts and repair labor to correct defects in materials or workmanship that existed when this major appliance was purchased, or at its sole discretion replace the product. In the event of product replacement, your appliance will be warranted for the remaining term of the original unit's warranty period.

YOUR SOLE AND EXCLUSIVE REMEDY UNDER THIS LIMITED WARRANTY SHALL BE PRODUCT REPAIR AS PROVIDED HEREIN. Service must be provided by a KitchenAid designated service company. This limited warranty is valid only in the United States or Canada and applies only when the major appliance is used in the country in which it was purchased. This limited warranty is effective from the date of original consumer purchase. Proof of original purchase date is required to obtain service under this limited warranty.

WHAT IS NOT COVERED

1. Commercial, non-residential, multiple-family use, or use inconsistent with published user, operator or installation instructions.
2. In-home instruction on how to use your product.
3. Service to correct improper product maintenance or installation, installation not in accordance with electrical or plumbing codes or correction of household electrical or plumbing (i.e. house wiring, fuses or water inlet hoses).
4. Consumable parts (i.e. light bulbs, batteries, air or water filters, preservation solutions, etc.).
5. Defects or damage caused by the use of non-genuine KitchenAid parts or accessories.
6. Conversion of products from natural gas or L.P. gas.
7. Damage from accident, misuse, abuse, fire, floods, acts of God or use with products not approved by KitchenAid.
8. Repairs to parts or systems to correct product damage or defects caused by unauthorized service, alteration or modification of the appliance.
9. Cosmetic damage including scratches, dents, chips, and other damage to the appliance finishes unless such damage results from defects in materials and workmanship and is reported to KitchenAid within 30 days.
10. Discoloration, rust or oxidation of surfaces resulting from caustic or corrosive environments including but not limited to high salt concentrations, high moisture or humidity or exposure to chemicals.
11. Food or medicine loss due to product failure.
12. Pick-up or delivery. This product is intended for in-home repair.
13. Travel or transportation expenses for service in remote locations where an authorized KitchenAid servicer is not available.
14. Removal or reinstallation of inaccessible appliances or built-in fixtures (i.e. trim, decorative panels, flooring, cabinetry, islands, countertops, drywall, etc.) that interfere with servicing, removal or replacement of the product.
15. Service or parts for appliances with original model/serial numbers removed, altered or not easily determined.

The cost of repair or replacement under these excluded circumstances shall be borne by the customer.

DISCLAIMER OF IMPLIED WARRANTIES

IMPLIED WARRANTIES, INCLUDING ANY IMPLIED WARRANTY OF MERCHANTABILITY OR IMPLIED WARRANTY OF FITNESS FOR A PARTICULAR PURPOSE, ARE LIMITED TO ONE YEAR OR THE SHORTEST PERIOD ALLOWED BY LAW. Some states and provinces do not allow limitations on the duration of implied warranties of merchantability or fitness, so this limitation may not apply to you. This warranty gives you specific legal rights, and you also may have other rights that vary from state to state or province to province.

DISCLAIMER OF REPRESENTATIONS OUTSIDE OF WARRANTY

KitchenAid makes no representations about the quality, durability, or need for service or repair of this major appliance other than the representations contained in this warranty. If you want a longer or more comprehensive warranty than the limited warranty that comes with this major appliance, you should ask KitchenAid or your retailer about buying an extended warranty.

LIMITATION OF REMEDIES; EXCLUSION OF INCIDENTAL AND CONSEQUENTIAL DAMAGES

YOUR SOLE AND EXCLUSIVE REMEDY UNDER THIS LIMITED WARRANTY SHALL BE PRODUCT REPAIR AS PROVIDED HEREIN. KITCHENAID SHALL NOT BE LIABLE FOR INCIDENTAL OR CONSEQUENTIAL DAMAGES. Some states and provinces do not allow the exclusion or limitation of incidental or consequential damages, so these limitations and exclusions may not apply to you. This warranty gives you specific legal rights, and you also may have other rights that vary from state to state or province to province.

SÉCURITÉ DE LA HOTTE DE CUISINIÈRE

Votre sécurité et celle des autres est très importante.

Nous donnons de nombreux messages de sécurité importants dans ce manuel et sur votre appareil ménager. Assurez-vous de toujours lire tous les messages de sécurité et de vous y conformer.



Voici le symbole d'alerte de sécurité.

Ce symbole d'alerte de sécurité vous signale les dangers potentiels de décès et de blessures graves à vous et à d'autres.

Tous les messages de sécurité suivront le symbole d'alerte de sécurité et le mot "DANGER" ou "AVERTISSEMENT". Ces mots signifient :

⚠ DANGER

Risque possible de décès ou de blessure grave si vous ne suivez pas immédiatement les instructions.

⚠ AVERTISSEMENT

Risque possible de décès ou de blessure grave si vous ne suivez pas les instructions.

Tous les messages de sécurité vous diront quel est le danger potentiel et vous disent comment réduire le risque de blessure et ce qui peut se produire en cas de non-respect des instructions.

Avertissements de la proposition 65 de l'État de Californie :

AVERTISSEMENT : Ce produit contient au moins un produit chimique connu par l'État de Californie pour être à l'origine de cancers.

AVERTISSEMENT : Ce produit contient au moins un produit chimique connu par l'État de Californie pour être à l'origine de malformations et autres déficiences de naissance.

IMPORTANTES INSTRUCTIONS DE SÉCURITÉ

AVERTISSEMENT : POUR RÉDUIRE LE RISQUE D'INCENDIE, CHOC ÉLECTRIQUE OU DOMMAGES CORPORELS, RESPECTER LES INSTRUCTIONS SUIVANTES :

- Utiliser cet appareil uniquement dans les applications envisagées par le fabricant. Pour toute question, contacter le fabricant.
- Avant d'entreprendre un travail d'entretien ou de nettoyage, interrompre l'alimentation de la hotte au niveau du tableau de disjoncteurs, et verrouiller le tableau de disjoncteurs pour empêcher tout rétablissement accidentel de l'alimentation du circuit. Lorsqu'il n'est pas possible de verrouiller le tableau de disjoncteurs, placer sur le tableau de disjoncteurs une étiquette d'avertissement proéminente interdisant le rétablissement de l'alimentation.
- Tout travail d'installation ou câblage électrique doit être réalisé par une personne qualifiée, dans le respect des prescriptions de tous les codes et normes applicables, y compris les codes du bâtiment et de protection contre les incendies.
- Ne pas faire fonctionner un ventilateur dont le cordon ou la fiche est endommagé(e). Jeter le ventilateur ou le retourner à un centre de service agréé pour examen et/ou réparation.
- Une source d'air de débit suffisant est nécessaire pour le fonctionnement correct de tout appareil à gaz (combustion et évacuation des gaz à combustion par la cheminée), pour qu'il n'y ait pas de reflux des gaz de combustion. Respecter les directives du fabricant de l'équipement de chauffage et les prescriptions des normes de sécurité - comme celles publiées par la National Fire Protection Association (NFPA) et l'American Society for Heating, Refrigeration and Air Conditioning Engineers (ASHRAE), et les prescriptions des autorités réglementaires locales.
- Lors des opérations de découpage et de perçage dans un mur ou un plafond, ne pas endommager les câblages électriques et les canalisations qui peuvent s'y trouver.
- Les ventilateurs d'évacuation doivent toujours décharger l'air à l'extérieur.

MISE EN GARDE : Cet appareil est conçu uniquement pour la ventilation générale. Ne pas l'utiliser pour l'extraction de matières ou vapeurs dangereuses ou explosives.

MISE EN GARDE : Pour minimiser le risque d'incendie et évacuer adéquatement les gaz, veiller à acheminer l'air aspiré par un conduit jusqu'à l'extérieur - ne pas décharger l'air aspiré dans un espace vide du bâtiment comme une cavité murale, un plafond, un grenier, un vide sanitaire ou un garage.

AVERTISSEMENT : POUR RÉDUIRE LE RISQUE D'INCENDIE, UTILISER UNIQUEMENT DES CONDUITS MÉTALLIQUES.

AVERTISSEMENT : POUR MINIMISER LE RISQUE D'UN FEU DE GRAISSE SUR LA CUISINIÈRE :

- Ne jamais laisser un élément de surface fonctionner à puissance de chauffage maximale sans surveillance. Un renversement/débordement de matière grasseuse pourrait provoquer une inflammation et la génération de fumée. Utiliser une puissance de chauffage moyenne ou basse pour le chauffage d'huile.
- Veiller à toujours faire fonctionner le ventilateur de la hotte lors de la cuisson avec une puissance de chauffage élevée ou lors de la cuisson d'un mets à flamber (à savoir crêpes Suzette, cerise jubilé, steak au poivre flambé).
- Nettoyer fréquemment les ventilateurs d'extraction. Veiller à ne pas laisser la graisse s'accumuler sur les surfaces du ventilateur ou des filtres.
- Utiliser toujours un ustensile de taille appropriée. Utiliser toujours un ustensile adapté à la taille de l'élément chauffant.

AVERTISSEMENT : POUR RÉDUIRE LE RISQUE DE DOMMAGES CORPORELS APRÈS LE DÉCLENCHEMENT D'UN FEU DE GRAISSE SUR LA CUISINIÈRE, APPLIQUER LES RECOMMANDATIONS SUIVANTES :^a

- Placer sur le récipient un couvercle bien ajusté, une tôle à biscuits ou un plateau métallique POUR ÉTOUFFER LES FLAMMES, puis éteindre le brûleur. VEILLER À ÉVITER LES BRÛLURES. Si les flammes ne s'éteignent pas immédiatement, ÉVACUER LA PIÈCE ET APPELER LES POMPIERS.
- NE JAMAIS PRENDRE EN MAIN UN RÉCIPENT ENFLAMMÉ - vous risquez de vous brûler.
- NE PAS UTILISER D'EAU, ni un torchon humide - ceci pourrait provoquer une explosion de vapeur brûlante.
- Utiliser un extincteur SEULEMENT si :
 - Il s'agit d'un extincteur de classe ABC, dont on connaît le fonctionnement.
 - Il s'agit d'un petit feu encore limité à l'endroit où il s'est déclaré.
 - Les pompiers ont été contactés.
 - Il est possible de garder le dos orienté vers une sortie pendant l'opération de lutte contre le feu.

^aRecommandations tirées des conseils de sécurité en cas d'incendie de cuisine publiés par la NFPA.

- **AVERTISSEMENT :** Pour réduire le risque d'incendie ou de choc électrique, ne pas utiliser ce ventilateur avec un quelconque dispositif de réglage de la vitesse à semi-conducteurs.

LIRE ET CONSERVER CES INSTRUCTIONS

EXIGENCES D'INSTALLATION

Outils et pièces

Rassembler les outils et pièces nécessaires avant d'entreprendre l'installation. Lire et observer les instructions fournies avec chacun des outils de la liste ci-dessous.

Outils nécessaires :

- Niveau
- Perceuse avec forets de 1 1/4" (3,0 cm), 3/8" (9,5 mm), et 5/16" (7,9 mm)
- Crayon
- Pince à dénuder ou couteau utilitaire
- Mètre-ruban ou règle
- Pince
- Pistolet à calfeutrage et composé de calfeutrage résistant aux intempéries
- Brides de conduit
- Scie sauteuse ou scie à guichet
- Tournevis à lame plate
- Cisaille de ferblantier
- Tournevis Phillips
- Ensemble de clés à tête hexagonale (système métrique)

Pièces nécessaires

- Câble d'alimentation électrique du domicile
- Serre-câble de 1/2" (12,7 mm) (homologation UL ou CSA)
- 3 connecteurs de fils homologués UL

Pour les installations avec décharge à l'extérieur, il vous faudra aussi :

- 1 bouche de décharge (décharge à travers le mur ou à travers le toit)
- Circuit d'évacuation métallique

Pour les installations sans décharge à l'extérieur (recyclage), il faudra aussi :

- Ensemble de recyclage, pièce numéro W1027063 pour les installations sans décharge à l'extérieur (recyclage) uniquement. Voir la section "Assistance ou service" pour commander.
- Ensemble de filtre à charbon (pièce numéro W1027068) – uniquement pour une installation sans décharge à l'extérieur (recyclage). Voir la section "Assistance ou service" pour commander.
- Conduit d'évacuation métallique circulaire de 6" (15,2 cm) de diamètre - longueur déterminée par la hauteur de plafond.

Pièces fournies

Retirer les pièces de leur emballage. Vérifier que toutes les pièces sont présentes.

- Auvent de hotte avec ventilateur et lampes installés
- Raccord de transition avec clapets anti-reflux installés
- Filtre(s) à graisse métallique
- Bride de support du cache-conduit
- Gabarit de montage
- Cache-conduit - 2 pièces
- 4 vis de 3,5 x 9,5 mm
- 4 vis de 3,5 x 6,5 mm
- 2 vis de 2,9 x 6,5 mm
- 6 vis de montage de 5 x 45 mm
- 2 chevilles d'ancrage mural de 8 x 40 mm
- 4 chevilles d'ancrage de 10 x 60 mm
- 4 vis de 5,4 x 75 mm (pour chevilles d'ancrage de 10 x 60 mm)
- Adaptateur Torx[†] T20[†]

Exigences d'emplacement

IMPORTANT : Observer les dispositions de tous les codes et règlements en vigueur.

Confier l'installation de la hotte à un technicien qualifié. C'est à l'installateur qu'incombe la responsabilité de respecter les distances de séparation spécifiées sur la plaque signalétique de l'appareil. La plaque signalétique de l'appareil est située derrière le filtre de gauche, sur la paroi arrière de la hotte.

On doit toujours installer la hotte à distance des sources de courant d'air (fenêtres, portes et bouches de chauffage).

Respecter les dimensions indiquées pour les ouvertures à découper dans les placards. Ces dimensions tiennent compte des valeurs minimales des dégagements de séparation.

Il est recommandé d'utiliser cette hotte avec une table de cuisson dont la puissance totale ne dépasse pas 65 000 BTU.

On doit disposer d'une prise de courant électrique reliée à la terre. Voir la section "Spécifications électriques".

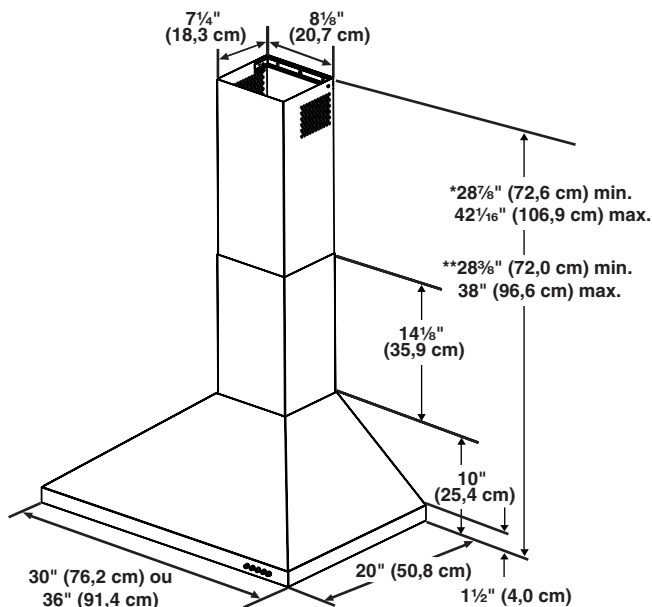
La hotte est configurée à l'usine pour une décharge à travers le toit ou un mur. Pour une installation sans décharge à l'extérieur (recyclage), voir "Installations sans décharge à l'extérieur (recyclage) uniquement" à la section "Raccordement du circuit d'évacuation". Le numéro de l'ensemble de recyclage est W1027063. Des filtres à charbon sont également nécessaires pour les installations sans décharge à l'extérieur (recyclage). Le numéro de l'ensemble de filtres à charbon est W1027068. Voir la section "Assistance ou service" pour commander.

On doit assurer l'étanchéité au niveau de chaque ouverture découpée dans le plafond ou un mur traversé par l'équipement de la hotte.

Installation dans une résidence mobile :

L'installation de cette hotte doit satisfaire aux exigences de la norme Manufactured Home Construction Safety Standards, Titre 24 CFR, partie 328 (anciennement Federal Standard for Mobile Home Construction and Safety, titre 24, HUD, partie 280); lorsque cette norme n'est pas applicable, l'installation doit satisfaire aux critères de la plus récente édition de la norme Manufactured Home Installation 1982 (Manufactured Home Sites, Communities and Setups) ANSI A225.1/NFPA 501A, ou des codes locaux.

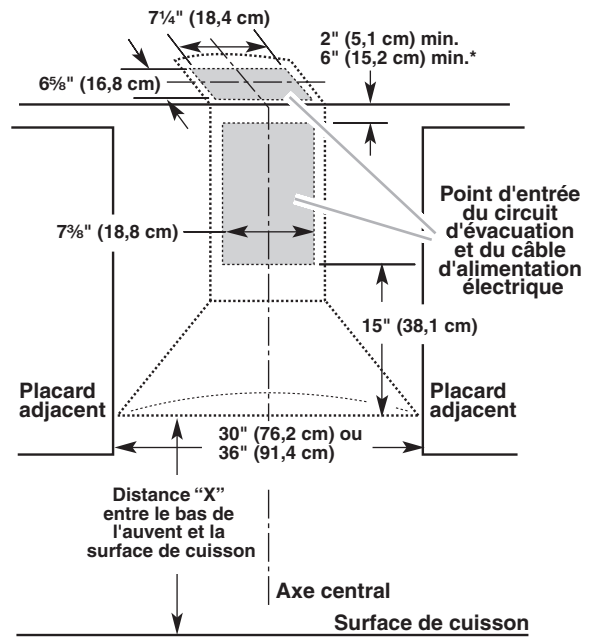
Dimensions du produit



* Pour installations sans décharge à l'extérieur (recyclage)

** Pour installations avec décharge à l'extérieur

Dimensions du placard



* Installations sans décharge à l'extérieur (recyclage)

IMPORTANT :

Valeur minimale de la distance "X" : 24" (61 cm) à partir de la surface de cuisson électrique

Valeur minimale de la distance "X" : 27" (68,6 cm) à partir des surfaces de cuisson au gaz.

Valeur maximale suggérée pour la distance "X" : 36" (91,4 cm)

Les cache-conduits peuvent être adaptés à différentes hauteurs de plafond. Voir le tableau suivant.

Installations avec décharge à l'extérieur

	Hauteur min. sous plafond	Hauteur max. sous plafond
Surface de cuisson électrique	7' 5" (2,26 m)	9' 2" (2,79 m)
Surface de cuisson à gaz	7' 8" (2,34 m)	9' 2" (2,79 m)

Installations sans décharge à l'extérieur (recyclage)

	Hauteur min. sous plafond	Hauteur max. sous plafond
Surface de cuisson électrique	7' 5" (2,26 m)	9' 6" (2,9 m)
Surface de cuisson à gaz	7' 8" (2,34 m)	9' 6" (2,9 m)

REMARQUE : Les cache-conduits de hotte sont réglables; on peut les ajuster en fonction de la hauteur disponible sous plafond ou soffite, selon la distance "X" entre le bas de la hotte et la surface de cuisson. Pour des plafonds de hauteur supérieure, un ensemble d'extension de cache-conduit en acier inoxydable, pièce numéro W10337357 est disponible chez votre marchand ou chez un distributeur de pièces autorisé. L'extension de cacheconduit remplace la section supérieure de cache-conduit fournie avec la hotte.

Exigences concernant l'évacuation

(seulement pour un modèle avec décharge à l'extérieur)

- Le circuit d'évacuation doit décharger l'air à l'extérieur, excepté pour une installation sans décharge à l'extérieur (recyclage).
- Ne pas terminer le circuit d'évacuation dans un grenier ou dans un autre espace fermé.
- Ne pas utiliser une bouche de décharge murale de 4" (10,2 cm) normalement utilisée pour un équipement de buanderie.
- Utiliser uniquement des conduits métalliques. On recommande l'utilisation de conduits métalliques rigides. Ne pas utiliser de conduit de plastique ou en feuille métallique.
- La longueur du circuit d'évacuation et le nombre de coudes doivent être réduits au minimum pour fournir la meilleure performance.

Pour un fonctionnement efficace et silencieux :

- Ne pas utiliser plus de trois coudes à 90°.
- Veiller à ce qu'il y ait une section droite de conduit de 24" (61,0 cm) ou plus entre deux coudes, si on doit utiliser plus de un raccord coudé.
- Ne pas connecter 2 coudes ensemble.
- Au niveau de chaque jointure du circuit d'évacuation, assurer l'étanchéité avec les brides de serrage pour conduit.
- Le circuit d'évacuation doit comporter un clapet anti-reflux. Si la bouche de décharge murale ou par le toit comporte un clapet, ne pas utiliser le clapet fourni avec la hotte.
- Autour de la bouche de décharge à l'extérieur (mur ou toit), assurer l'étanchéité avec un composé de calfeutrage.
- La taille du conduit doit être uniforme.

Installation dans une région à climat froid

On doit installer un clapet anti-reflux additionnel pour minimiser le reflux d'air froid, et incorporer un élément d'isolation thermique pour minimiser la perte de chaleur par conduction par l'intermédiaire du circuit d'évacuation, de l'intérieur de la maison à l'extérieur. Le clapet anti-reflux doit être placé du côté froid par rapport à l'élément d'isolation thermique.

L'élément d'isolation thermique doit être aussi proche que possible de l'endroit où le circuit d'évacuation pénètre la partie chauffée de la maison.

Air d'appoint

Le code du bâtiment local peut exiger l'emploi d'un système d'introduction d'air d'appoint, lors de l'utilisation d'un système d'aspiration de débit supérieur à une valeur (pieds cubes par minute) spécifiée. Le débit spécifié, pieds cubes par minute, est variable d'une juridiction à une autre. Consulter un professionnel des installations de chauffage/ventilation/climatisation au sujet des exigences spécifiques applicables dans la juridiction locale.

Méthodes d'évacuation

Cette hotte a été configurée à l'usine pour la décharge de l'air aspiré à travers le toit ou à travers un mur.

Un circuit d'évacuation en conduit rond de 6" (15,2 cm) (non fourni) est nécessaire pour l'installation. La hotte comporte une ouverture de sortie de diamètre 6" (15,2 cm).

REMARQUE : On déconseille l'emploi de conduit flexible. Un conduit flexible peut causer une rétropression et des turbulences de l'air, ce qui réduit considérablement la performance.

La sortie à l'extérieur du circuit d'évacuation peut se faire à travers le toit ou à travers un mur. Pour la sortie à travers un mur, on doit employer un raccord coudé (90°).

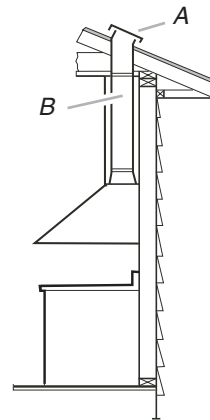
Décharge par l'arrière

Le raccord coudé à 90° peut être installé immédiatement au-dessus de la hotte.

Installations sans décharge à l'extérieur (recyclage)

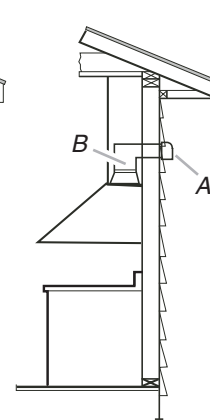
S'il n'est pas possible d'évacuer les fumées et vapeurs de cuisson à l'extérieur, on peut employer la version d'installation sans décharge à l'extérieur (recyclage) de la hotte à l'aide d'un ensemble de recyclage (comprenant des filtres à charbon et un déflecteur). Pour commander, voir la section "Assistance ou service".

Décharge à travers le toit



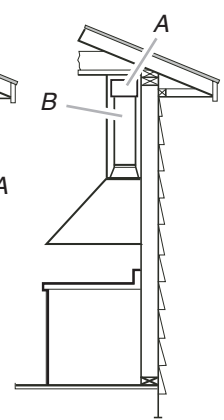
A. Bouche de décharge sur toit
B. Conduit rond 6" (15,2 cm)

Décharge à travers le mur



A. Bouche de décharge murale
B. Conduit rond 6" (15,2 cm)



Installation sans décharge à l'extérieur (recyclage)



A. Déflecteur d'air
B. Conduit rond 6" (15,2 cm)

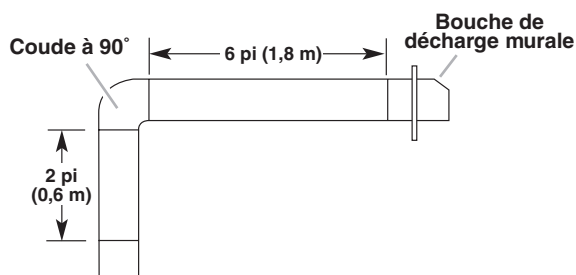
Calcul de la longueur effective du circuit d'évacuation

Pour calculer la longueur effective du circuit d'évacuation nécessaire, additionner les longueurs équivalentes (pieds/mètres) de tous les composants utilisés dans le circuit.

Composants de circuit d'évacuation	Diam. 6" (15,2 cm)	
Coude à 45°	2,5 pi (0,8 m)	
Coude à 90°	5 pi (1,5 m)	

La longueur équivalente maximum est de 35 pi (10,7 m).

Exemple de circuit d'évacuation



Dans l'exemple suivant, la longueur théorique du circuit se trouve dans les limites du maximum recommandé de 35 pi (10,7 m).

1 coude à 90°	= 5 pi (1,5 m)
1 bouche de décharge murale	= 0 pi (0,0 m)
Section droite de 8 pi (2,4 m)	= 8 pi (2,4 m)
Longueur du circuit	= 13 pi (3,9 m)

Spécifications électriques

Observer les dispositions de tous les codes et règlements en vigueur.

S'assurer que l'installation électrique est correcte et qu'elle satisfait aux exigences de la plus récente édition de la norme National Electrical Code, ANSI/NFPA 70, ou de la norme CSA C22. 1-94, Code canadien de l'électricité, partie 1 et C22.2 n° 0-M91 (dernière édition) et de tous les codes et règlements en vigueur.

Si les codes le permettent et si l'on utilise un conducteur distinct de liaison à la terre, il est recommandé qu'un électricien qualifié vérifie la qualité de la liaison à la terre.

Pour obtenir un exemplaire des normes des codes ci-dessus, contacter :

National Fire Protection Association
1 Batterymarch Park
Quincy, MA 02169-7471
CSA International
8501 East Pleasant Valley Road
Cleveland, OH 44131-5575

- L'appareil doit être alimenté par un circuit de 120 V CA seulement, 60 Hz, 15 ampères, protégé par fusible.
- Si le domicile possède un câblage en aluminium, suivre la procédure ci-dessous :
 1. Raccorder une section de câble en cuivre massifs conducteurs en queue de cochon.
 2. Connecter le câblage en aluminium à la section ajoutée de câblage en cuivre en utilisant des connecteurs et/ou des outils spécialement conçus et homologués UL pour fixer le cuivre à l'aluminium.

Suivre la procédure recommandée par le fabricant de connecteurs électriques. Les raccordements aluminium/cuivre doivent satisfaire aux prescriptions des codes locaux et de l'industrie, et être conformes aux pratiques de câblage connues.

- Le calibre des conducteurs et les connexions doivent être compatibles avec les caractéristiques électriques de l'appareil spécifiées sur la plaque signalétique. La plaque signalétique de l'appareil est située derrière le filtre, sur la paroi arrière de la hotte.
- Le calibre des conducteurs doit être conforme aux exigences du National Electrical Code, de la plus récente édition de la norme ANSI/NFPA 70 ou des normes CSA C22. 1-94, Code canadien de l'électricité, partie 1 et C22.2 n° 0-M91 (édition la plus récente) et de tous les codes et règlements en vigueur.

INSTRUCTIONS D'INSTALLATION

Préparation de l'emplacement

- Il est recommandé d'installer le circuit d'évacuation avant de procéder à l'installation de la hotte.
 - Avant d'exécuter les découpages, vérifier la disponibilité d'un dégagement suffisant dans le plafond ou le mur pour le conduit d'évacuation.
 - Avant de sélectionner la hotte à installer, mesurer la hauteur libre sous plafond et la hauteur maximum disponible sous la hotte.
1. Déconnecter la source de courant électrique.
 2. Déterminer la méthode d'évacuation à utiliser : décharge à travers le mur, le toit ou sans décharge à l'extérieur.
 3. Sélectionner une surface plane pour l'assemblage de la hotte. Placer le matériau de protection sur cette surface.

⚠ AVERTISSEMENT

Risque du poids excessif

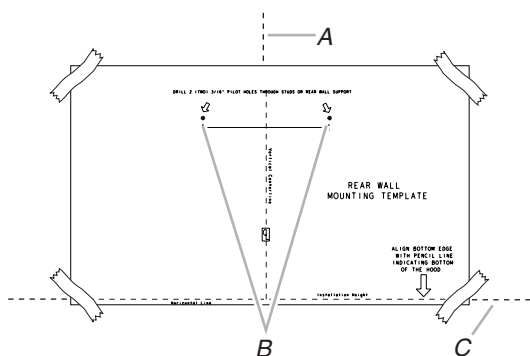
Utiliser deux ou plus de personnes pour déplacer et installer la hotte de la cuisinière.

Le non-respect de cette instruction peut causer une blessure au dos ou d'autre blessure.

4. À l'aide de deux personnes ou plus, soulever la hotte et la poser sur la surface couverte.

Installation des vis de montage de la hotte

1. Déterminer et marquer la position de l'axe central sur le mur où la hotte sera installée.
2. Sélectionner une hauteur de montage comprise entre un minimum de 24" (61,0 cm) pour une surface de cuisson électrique, un minimum de 27" (68,6 cm) pour une surface de cuisson au gaz et un maximum suggéré de 36" (91,4 cm) entre la cuisinière et le bas de la hotte. Marquer la ligne de repérage sur le mur.
3. Fixer le gabarit en place avec du ruban adhésif; aligner l'axe central du gabarit et le bas du gabarit avec la ligne correspondant au bas de la hotte, et avec l'axe central déjà tracé sur le mur.



- A. Axe central
- B. Emplacements des attaches
- C. Ligne de référence pour la hauteur de montage

4. À l'aide du gabarit, marquer sur le mur le centre des attaches.

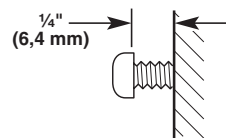
IMPORTANT : Toutes les vis de montage de la hotte en îlot doivent être vissées dans du bois où cela est possible. Si l'on ne peut pas visser les vis de montage de la hotte dans du bois, des tasseaux supplémentaires pour accrochage mural seront peut-être nécessaires, ou utiliser quatre chevilles d'ancrage de 10 x 60 mm et vis de 5,4 x 75 mm. Retirer le gabarit.

5. Pour bois, percer des avant-trous de $\frac{3}{16}$ " (4,8 mm) à tous les emplacements de pose des vis dans du bois.

Pour les chevilles d'ancrage, percer des trous de $\frac{7}{16}$ " (10 mm) à tous les emplacements des chevilles d'ancrage.

6. Pour bois, installer les 2 vis de montage de 5 x 45 mm. Laisser un espace de $\frac{1}{4}$ " (6,4 mm) entre le mur et l'arrière de la tête de vis pour faire glisser la hotte et la mettre en place.

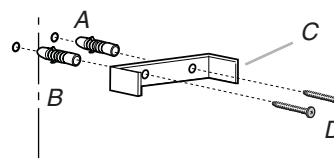
Pour les chevilles d'ancrage, installer les chevilles d'ancrage de 10 x 60 mm et installer les vis de montage de 5,4 x 75 mm dans les chevilles d'ancrage. Serrer les vis jusqu'à ce que les chevilles d'ancrage mural soient solidement fixées. Desserrer les vis de $\frac{1}{4}$ " (6,4 mm).



Installation de la bride de cache-conduit

Installation avec utilisation des sections télescopiques supérieure et inférieure du cache-conduit

1. Positionner la bride de cache-conduit sur le mur à environ $\frac{1}{8}$ " (3,0 mm) du plafond.
2. Faire des repères aux emplacements des trous.
3. Percer 2 trous de $\frac{3}{8}$ " (9,5 mm) pour les chevilles de 8 x 40 mm et insérer ces dernières en affleurement avec le mur.



- A. Chevilles d'ancrage de 8 x 40 mm
- B. Axe central sur le mur
- C. Bride de support du cache-conduit
- D. Vis de 5 x 45 mm

4. Fixer la bride de support du cache-conduit au mur.

Achever la préparation

1. Déterminer et effectuer tous les découpes nécessaires dans le mur pour le passage du circuit d'évacuation. Installer le circuit d'évacuation avant la hotte. Voir la section "Exigences concernant l'évacuation".
2. Déterminer la hauteur appropriée pour le cordon d'alimentation du domicile et percer un trou de 1¼" (3,2 cm) à cet endroit.
3. Acheminer le câble d'alimentation du domicile selon les prescriptions du Code national de l'électricité, des normes CSA et des codes et règlements locaux. Il faut que la longueur du conduit de ½" et des conducteurs soit suffisante depuis le tableau de distribution (avec fusibles ou disjoncteurs) pour réaliser le raccordement dans le boîtier de connexion de la hotte.

REMARQUE : Ne pas remettre le système sous tension avant d'avoir complètement terminé l'installation.

4. Utiliser un calfeutrant pour assurer l'étanchéité au niveau de chaque ouverture.

Installation de l'ensemble de ventilateur déporté intelligent (en option)

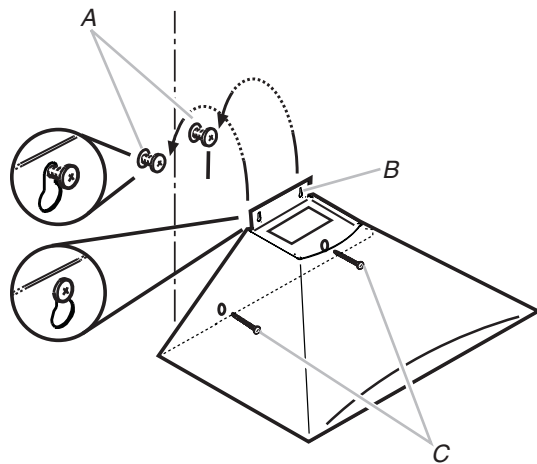
REMARQUE : La hotte peut fonctionner avec un moteur de ventilateur intégré ou externe (déporté). Un ensemble de ventilateur déporté intelligent en option (à acheter séparément) permet d'installer le moteur du ventilateur de la hotte ailleurs qu'à l'intérieur de la hotte.

MISE EN GARDE : Afin de réduire le risque d'incendie et de choc électrique, installer cette hotte de cuisinière uniquement avec l'ensemble de ventilateur déporté intelligent fabriqué par Whirlpool, pièce numéro W10692945.

Pour l'installer, consulter les instructions d'installation de l'ensemble de ventilateur déporté intelligent. Voir la section "Assistance ou service" pour commander.

Installation de la hotte

1. À deux personnes au moins, suspendre la hotte aux 2 crochets de montage, à travers les encoches de montage à l'arrière de la hotte.

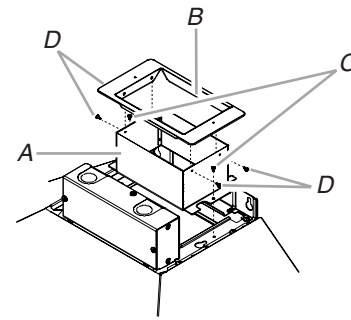


A. Vis de montage
B. Encoches de montage
C. Vis de montage inférieures

2. Ôter le filtre à graisse. Voir la section "Entretien de la hotte".
3. Mettre la hotte de niveau et serrer les vis de montage supérieures.
4. Installer les 2 vis de montage inférieures de 5 x 45 mm et serrer. Utiliser des chevilles d'ancrage facultative si nécessaire.

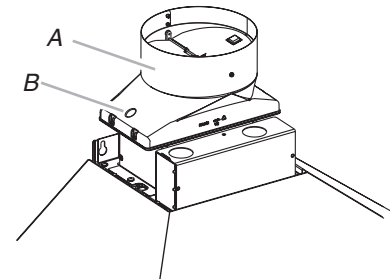
Raccordement du circuit d'évacuation

1. Installer la cale d'écartement et la plaque de sortie au-dessus de la hotte.



A. Cale d'espacement
B. Plaque de sortie
C. 2 vis de 3,5 x 9,5 mm
D. 4 vis de 3,5 x 6,5 mm

2. Installer le raccord de transition au sommet de la plaque de sortie (s'il a été enlevé pour expédition) avec 2 vis de tôlerie de 3,5 x 9,5 mm.



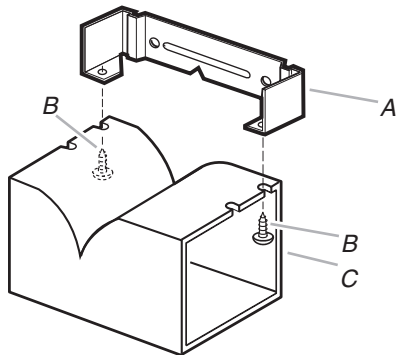
A. Raccord de transition
B. Vis de 3,5 x 9,5 mm

Pour les installations avec décharge à l'extérieur uniquement:

1. Installer le circuit d'évacuation sur le raccord de transition.
2. Assurer l'étanchéité avec des brides de serrage.
3. Vérifier que les clapets anti-retour fonctionnent correctement.

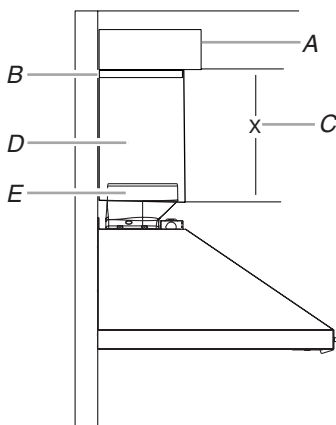
Installations sans décharge à l'extérieur (recyclage) uniquement :

1. Assembler le déflecteur d'air sur la bride du cache-conduit à l'aide des 2 vis de montage fournies avec la trousse de recyclage.



A. Bride de cache-conduit
B. Vis de 2,9 x 6,5 mm
C. Déflecteur

2. Mesurer la distance entre le bas du déflecteur d'air et le bas de la sortie de la hotte.



A. Déflecteur d'air
B. Bride pour conduit
C. X = longueur à laquelle tailler le conduit d'évacuation
D. Conduit d'évacuation
E. Sortie d'évacuation

3. Tailler le conduit à la taille mesurée "X".
4. Retirer le déflecteur d'air.
5. Faire coulisser le conduit sur le bas du déflecteur d'air.
6. Placer le déflecteur d'air et le conduit assemblés sur la sortie d'évacuation de la hotte.
7. Réassembler le déflecteur d'air sur la bride du cache-conduit à l'aide des 2 vis de montage.
8. Assurer l'étanchéité des raccordements avec une bride de conduit.

Raccordement électrique

AVERTISSEMENT



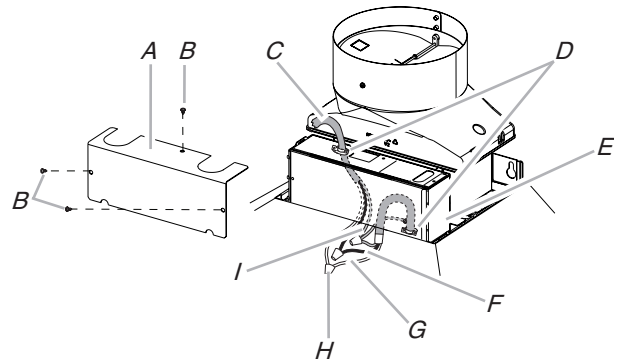
Risque de choc électrique

Déconnecter la source de courant électrique avant l'entretien.

Replacer pièces et panneaux avant de faire la remise en marche.

Le non-respect de ces instructions peut causer un décès ou un choc électrique.

1. Déconnecter la source de courant électrique.
2. Ôter le couvercle du boîtier de connexion.
3. Ôter l'opercule arrachable du boîtier de connexion et installer un serre-câble de 1/2" (homologation UL ou CSA).
4. Acheminer le cordon d'alimentation du domicile à travers le serre-câble de 1/2" jusque dans le boîtier de connexion.



A. Couvercle du boîtier de connexion
B. Vis
C. Câble d'alimentation électrique du domicile
D. Serre-câble de 1/2" (homologation UL ou CSA)
E. Boîtier de connexion
F. Conducteurs noirs
G. Conducteurs blancs
H. Connecteurs de fils (homologation UL)
I. Conducteurs verts (ou nus) connectés aux conducteurs jaune-vert

5. Connecter ensemble les conducteurs blancs (B) à l'aide de connecteurs de fils (homologation UL).

6. Connecter ensemble les conducteurs noirs (C) à l'aide de connecteurs de fils (homologation UL).

⚠ AVERTISSEMENT



Risque de choc électrique

Relier le ventilateur à la terre.

Brancher le fil relié à la terre au fil vert et jaune relié à la terre dans la boîte de la borne.

Le non-respect de ces instructions peut causer un décès ou un choc électrique.

7. À l'aide des connecteurs de fils (homologation UL), connecter le conducteur de liaison à la terre (vert ou nu) du câble d'alimentation du domicile aux 2 conducteurs jaune-vert de liaison à la terre (D) dans le boîtier de connexion.
8. Serrer la vis du serre-câble.
9. Installer le couvercle du boîtier de connexion.
10. Reconnecter la source de courant électrique.

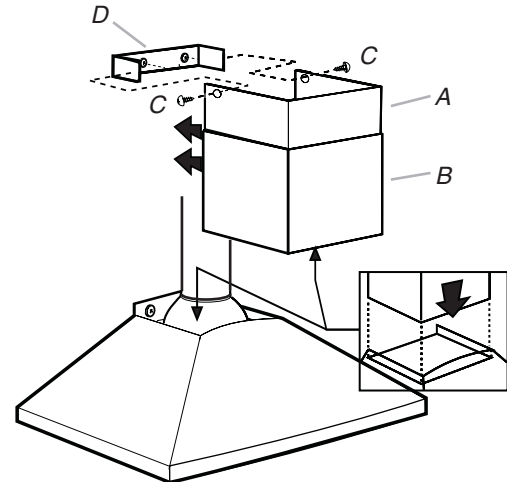
Installations avec l'ensemble du cordon d'alimentation en option

Pour les installations avec l'ensemble du cordon d'alimentation facultatif, suivre les instructions fournies avec l'ensemble du cordon d'alimentation. Voir la section "Assistance ou service" pour plus d'informations sur le processus de commande.

REMARQUE : Utiliser uniquement avec des nécessaires de raccordement du cordon d'alimentation de la hotte de cuisinière dont l'utilisation a été testée et déclarée adéquate pour ce modèle de hotte de cuisinière.

Installation des cache-conduits

1. En cas d'utilisation des sections supérieure et inférieure du cache-conduit, enfoncer la section inférieure du cacheconduit sur la hotte et soulever la section supérieure vers le plafond pour installer les 2 vis de 2,9 x 6,5 mm.
- REMARQUE :** Pour les installations avec décharge à l'extérieur, le cache-conduit supérieur peut être inversé pour dissimuler les fentes.



A. Section supérieure du cache-conduit

B. Section inférieure du cache-conduit

C. Vis de 2,9 x 6,5 mm

D. Bride

Achever l'installation

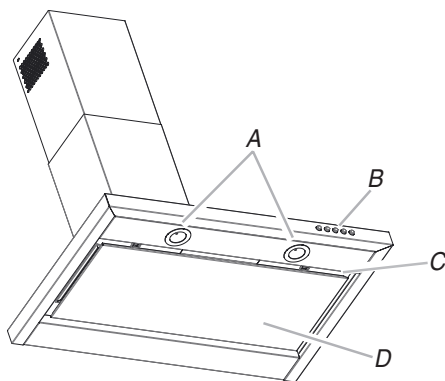
1. Pour les installations sans décharge à l'extérieur (recyclage) uniquement, installer les filtres à charbon sur la grille du logement du ventilateur. Voir la section "Entretien de la hotte".
2. Installer les filtres métalliques. Voir la section "Entretien de la hotte".
3. Contrôler le fonctionnement du ventilateur de la hotte et de la lampe. Voir la section "Utilisation de la hotte".

REMARQUE : Pour pouvoir tirer le plus grand parti de la nouvelle hotte de cuisinière, lire la section "Utilisation de la hotte".

UTILISATION DE LA HOTTE

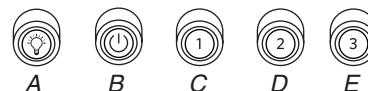
La hotte de cuisinière est conçue pour extraire fumées, vapeurs de cuisson et odeurs de la zone de la table de cuisson. Pour obtenir les meilleurs résultats, mettre la hotte en marche avant d'entreprendre une cuisson, et la laisser fonctionner pendant plusieurs minutes après l'achèvement d'une cuisson pour pouvoir évacuer de la cuisine toute odeur de cuisson ou fumée.

Les commandes de la hotte se trouvent sur le panneau avant droit de la hotte.



- A. Lampes DEL
- B. Commandes du ventilateur et de l'éclairage
- C. Filtre à graisse (derrière le panneau en acier inoxydable)
- D. Panneau en acier inoxydable

Commandes de la hotte de cuisinière



- A. Bouton marche/arrêt de l'éclairage
- B. Bouton marche/arrêt du ventilateur
- C. Bouton de vitesse minimale du ventilateur
- D. Bouton de vitesse moyenne du ventilateur
- E. Bouton de vitesse maximale du ventilateur

REMARQUE : Les boutons de commandes s'allument lorsque la hotte est en marche.

Utilisation de la lampe

Le bouton marche/arrêt de l'éclairage (A) commande le fonctionnement des deux lampes. Appuyer une fois pour marche et une deuxième fois pour arrêt.

Utilisation du ventilateur

Le bouton marche/arrêt du ventilateur (B) met en marche ou éteint le ventilateur. Les boutons de vitesse du ventilateur (C, D et E) règlent la vitesse souhaitée et contrôlent le niveau sonore pour un fonctionnement silencieux. On peut modifier la vitesse à tout moment pendant le fonctionnement du ventilateur en appuyant sur le bouton de vitesse du ventilateur souhaité.

1. Pour mettre le ventilateur en marche, appuyer sur le bouton de marche/arrêt du ventilateur (B) et sur le bouton de vitesse souhaité (C, D ou E).
2. Pour éteindre le ventilateur, appuyer sur le bouton de marche/arrêt (B).

N'importe lequel des 3 boutons de vitesse du ventilateur peut être placé à la position marche de façon simultanée. Le ventilateur fonctionne au bouton de vitesse la plus élevée qui a été enfoncé. Pour obtenir une vitesse de ventilateur inférieure, les boutons de vitesse supérieure ne doivent pas être enfoncés.

ENTRETIEN DE LA HOTTE

Nettoyage

IMPORTANT : Nettoyer fréquemment la hotte et les filtres à graisse en suivant les instructions suivantes. Réinstaller les filtres à graisse avant de faire fonctionner la hotte.

Surfaces externes

Afin d'éviter d'endommager la surface externe, ne pas utiliser de tampons en laine d'acier ou de tampons à récurer savonneux.

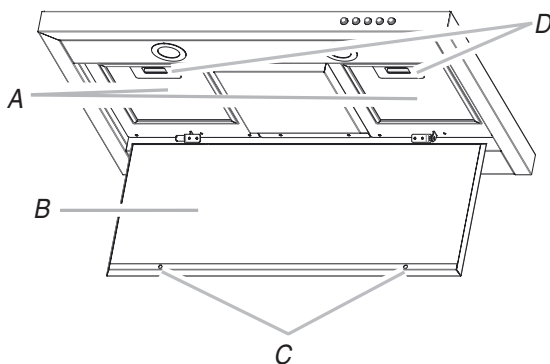
Toujours essuyer pour éviter de laisser des traces d'eau.

Méthode de nettoyage

- Savon détergent liquide et eau, ou produit de nettoyage polyvalent.
- Frotter avec un chiffon doux humide ou une éponge non abrasive, puis rincer avec de l'eau propre et essuyer.

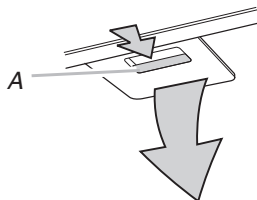
Filtre à graisse métallique

1. Ouvrir le panneau en acier inoxydable. Saisir le panneau par les coins avant et tirer vers le bas pour dégager les 2 pitons de retenue des loquets à ressort. Le panneau est attaché par l'arrière et pivote vers le bas.



- A. Filtres métalliques
- B. Panneau en acier inoxydable
- C. Pitons de retenue (2)
- D. Loquets à ressort (2)

2. Retirer chaque filtre en tirant sur la poignée à ressort puis en tirant le filtre vers le bas.



A. Poignée à ressort

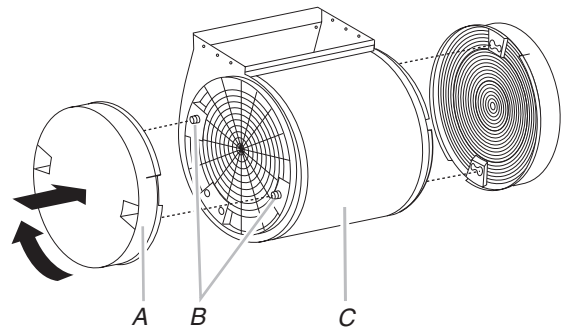
3. Laver les filtres métalliques selon le besoin au lave-vaisselle ou avec une solution de détergent chaude.
4. Réinstaller le filtre en s'assurant que les poignées à ressort sont orientées vers l'avant. Insérer le filtre d'aluminium dans la rainure supérieure.
5. Enfoncer la poignée à ressort.
6. Pousser le filtre métallique vers le haut et relâcher la poignée pour emboîter le loquet.
7. Répéter les étapes 1 à 5 pour l'autre filtre.
8. Fermer le panneau en acier inoxydable. Fixer en engageant les 2 pitons dans les loquets à ressort.

Filtres d'installation sans décharge à l'extérieur (recyclage)

Le filtre à charbon n'est pas lavable. Celui-ci devrait durer pendant six mois maximum dans des conditions d'utilisation normales. Remplacer par l'ensemble de filtre à charbon numéro W10272068.

Remplacement du filtre à charbon :

1. Placer le filtre à charbon sur la grille protégeant le moteur du ventilateur de façon à ce que les encoches du filtre correspondent aux tiges situées sur les côtés de la grille de protection du moteur.



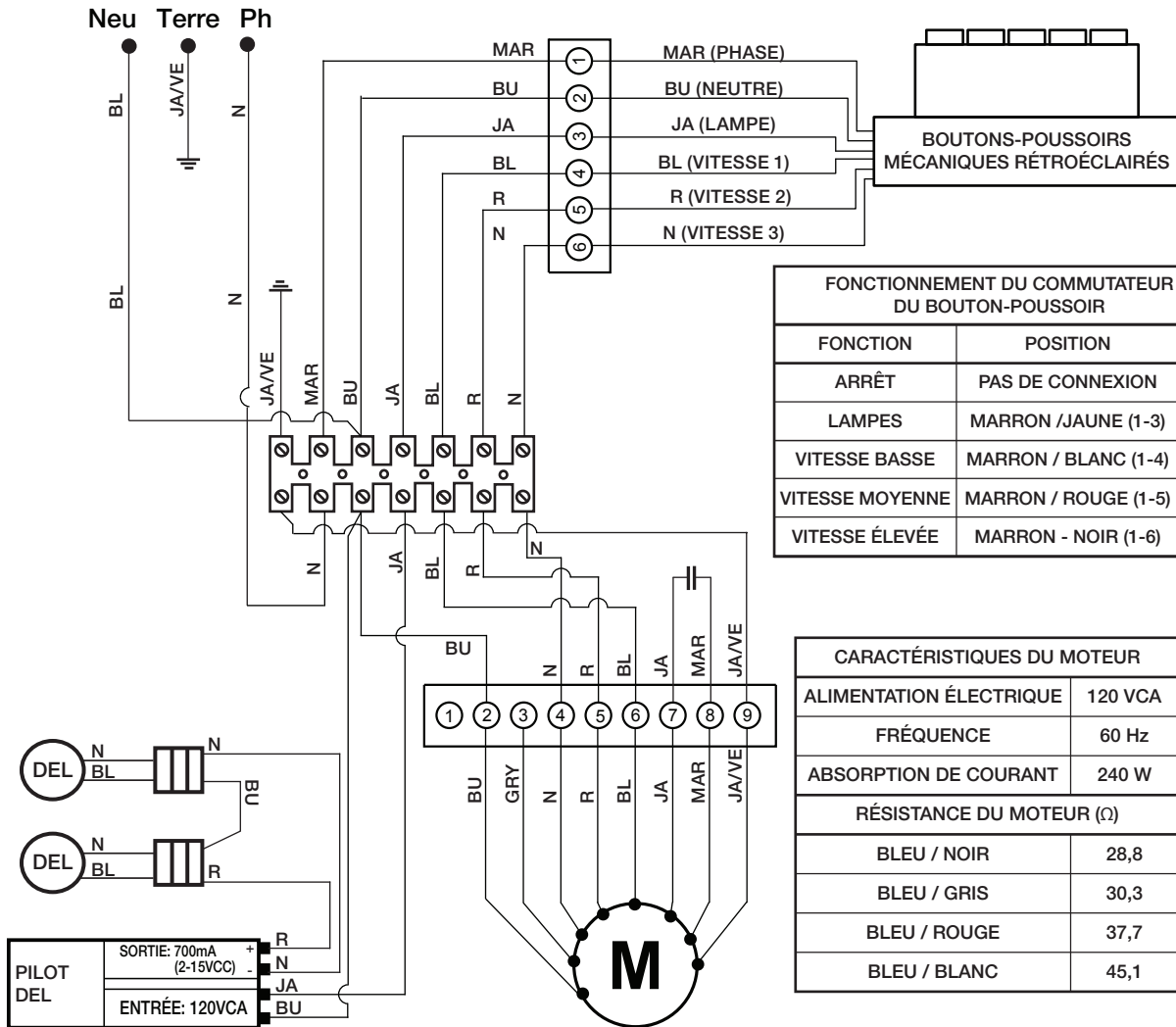
- A. Filtre à charbon
- B. Tiges
- C. Moteur du ventilateur

2. Faire pivoter le filtre à charbon dans le sens horaire pour l'emboîter.
3. Répéter les étapes 1 à 2 pour l'autre filtre.

Remplacement de la lampe à DEL

Les lampes DEL doivent être remplacées par un technicien de service qualifié uniquement. Voir la section "Garantie" pour des renseignements de contact sur le service.

SCHÉMA DE CÂBLAGE



SE134B

ASSISTANCE OU SERVICE

Si vous avez besoin de service :

Consulter la page de garantie du présent manuel.

Si vous avez besoin de pièces de rechange :

Si vous avez besoin de commander des pièces de rechange, nous vous recommandons d'utiliser seulement des pièces spécifiées par l'usine. Les pièces spécifiées par l'usine fonctionneront bien car elles sont fabriquées avec la même précision que celles utilisées pour fabriquer chaque nouvel appareil.

Pour localiser des pièces spécifiées par l'usine dans votre région, composer le numéro de téléphone d'aide à la clientèle suivant ou appeler le centre de service désigné le plus proche.

Au Canada

Veillez appeler sans frais le Centre pour l'eXpérience de la clientèle de Whirlpool Canada LP au : **1-800-807-6777** ou visitez notre site Web à **www.kitchenaid.ca**.

Nos consultants vous renseigneront sur les sujets suivants :

- Programmation d'une intervention de dépannage. Les techniciens de service désignés par KitchenAid sont formés pour remplir la garantie des produits et fournir un service après garantie partout au Canada.
- Caractéristiques et spécifications sur toute notre gamme d'appareils électroménagers.
- Références aux marchands locaux.
- Consignes d'utilisation et d'entretien.
- Vente d'accessoires et de pièces de rechange.

Pour plus d'assistance :

Si vous avez besoin de plus d'assistance, vous pouvez soumettre par écrit toute question ou préoccupation à Whirlpool Canada LP à l'adresse suivante :

Customer eXperience Centre
Whirlpool Canada LP
200 - 6750 Century Ave.
Mississauga, Ontario L5N 0B7

Veillez inclure dans votre correspondance un numéro de téléphone où l'on peut vous joindre dans la journée.

Accessoires

Ensemble de filtre à charbon

(pour installations sans décharge à l'extérieur uniquement)
Commander la pièce numéro W10272068

Ensemble de recyclage

(pour installations sans décharge à l'extérieur uniquement)
Commander la pièce numéro W10272063

Ensemble d'extension de cache-conduit

Commander la pièce numéro W10337357

Ensemble de cordon d'alimentation

Commander la pièce numéro W10613691

Ensemble de ventilateur déporté intelligent

Commander la pièce numéro W10692945

GARANTIE LIMITÉE DES GROS APPAREILS MÉNAGERS KITCHENAID®

ATTACHEZ ICI VOTRE REÇU DE VENTE. UNE PREUVE D'ACHAT EST OBLIGATOIRE POUR OBTENIR L'APPLICATION DE LA GARANTIE.

Lorsque vous appelez le centre d'expérience de la clientèle, veuillez garder à disposition les renseignements suivants :

- Nom, adresse et numéro de téléphone
- Numéros de modèle et de série
- Une description claire et détaillée du problème rencontré
- Une preuve d'achat incluant le nom et l'adresse du marchand ou du détaillant

SI VOUS AVEZ BESOIN DE SERVICE :

1. Avant de nous contacter pour obtenir un dépannage, veuillez déterminer si des réparations sont nécessaires pour votre produit. Certains problèmes peuvent être résolus sans intervention de dépannage. Prenez quelques minutes pour parcourir la section Dépannage ou Résolution de problèmes du guide d'utilisation et d'entretien, scannez le code QR ci-contre avec votre téléphone intelligent pour accéder à des ressources supplémentaires, ou rendez-vous sur le site <http://www.kitchenaid.ca>.
2. Tout service sous garantie doit être effectué exclusivement par nos fournisseurs de dépannage autorisés KitchenAid. Aux É.-U. et au Canada, dirigez toutes vos demandes de service sous garantie au

Centre d'expérience de la clientèle KitchenAid

Aux É.-U., composer le 1-800-422-1230. Au Canada, composer le 1-800-807-6777.

Si vous résidez à l'extérieur du Canada et des 50 États des États-Unis, contactez votre marchand KitchenAid autorisé pour déterminer si une autre garantie s'applique.



<http://www.kitchenaid.ca>

GARANTIE LIMITÉE DE UN AN

CE QUI EST COUVERT

Pendant un an à compter de la date d'achat, lorsque ce gros appareil ménager est installé, utilisé et entretenu conformément aux instructions jointes à ou fournies avec le produit, la marque KitchenAid de Whirlpool Corporation ou Whirlpool Canada, LP (ci-après désignées "KitchenAid") décidera à sa seule discrétion de remplacer le produit ou de couvrir le coût des pièces spécifiées par l'usine et de la main-d'œuvre nécessaires pour corriger les vices de matériaux ou de fabrication qui existaient déjà lorsque ce gros appareil ménager a été acheté. S'il est remplacé, l'appareil sera couvert pour la période restant à courir de la garantie limitée d'un an du produit d'origine.

LE SEUL ET EXCLUSIF RECOURS DU CLIENT DANS LE CADRE DE LA PRÉSENTE GARANTIE LIMITÉE CONSISTE EN LA RÉPARATION PRÉVUE PAR LA PRÉSENTE. Le service doit être fourni par une compagnie de service désignée par KitchenAid. Cette garantie limitée est valide uniquement aux États-Unis ou au Canada et s'applique exclusivement lorsque le gros appareil ménager est utilisé dans le pays où il a été acheté. La présente garantie limitée est valable à compter de la date d'achat initial par le consommateur. Une preuve de la date d'achat initial est exigée pour obtenir un dépannage dans le cadre de la présente garantie limitée.

CE QUI N'EST PAS COUVERT

1. Usage commercial, non résidentiel ou par plusieurs familles, ou non-respect des instructions de l'utilisateur, de l'opérateur ou des instructions d'installation.
2. Visite d'instruction à domicile pour montrer à l'utilisateur comment utiliser l'appareil.
3. Visites de service pour rectifier une installation ou un entretien fautifs du produit, une installation non conforme aux codes d'électricité ou de plomberie, ou la rectification de l'installation électrique ou de la plomberie du domicile (ex : câblage électrique, fusibles ou tuyaux d'arrivée d'eau du domicile).
4. Pièces consommables (ex : ampoules, batteries, filtres à air ou à eau, solutions de conservation, etc.).
5. Défauts ou dommage résultant de l'utilisation de pièces ou accessoires KitchenAid non authentiques.
6. Conversion de votre produit du gaz naturel ou du gaz de pétrole liquéfié.
7. Dommages causés par : accident, mésusage, abus, incendie, inondations, catastrophe naturelle ou l'utilisation de produits non approuvés par KitchenAid.
8. Réparations aux pièces ou systèmes dans le but de rectifier un dommage ou des défauts résultant d'une réparation, altération ou modification non autorisée faite à l'appareil.
9. Défauts d'apparence, notamment les éraflures, traces de choc, fissures ou tout autre dommage subi par le fini de l'appareil ménager, à moins que ces dommages ne résultent de vices de matériaux ou de fabrication et ne soient signalés à KitchenAid dans les 30 jours suivant la date d'achat.
10. Décoloration, rouille ou oxydation des surfaces résultant d'environnements caustiques ou corrosifs incluant des concentrations élevées de sel, un haut degré d'humidité ou une exposition à des produits chimiques (exemples non exhaustifs).
11. Perte d'aliments ou de médicaments due à la défaillance du produit.
12. Enlèvement ou livraison. Ce produit est conçu pour être réparé à l'intérieur du domicile.
13. Frais de déplacement et de transport pour le dépannage/la réparation dans une région éloignée où une compagnie de service KitchenAid autorisée n'est pas disponible.
14. Retrait ou réinstallation d'appareils inaccessibles ou de dispositifs préinstallés (ex : garnitures, panneaux décoratifs, plancher, meubles, îlots de cuisine, plans de travail, panneaux de gypse, etc.) qui entravent le dépannage, le retrait ou le remplacement du produit.
15. Service et pièces pour des appareils dont les numéros de série et de modèle originaux ont été enlevés, modifiés ou ne peuvent pas être facilement identifiés.

Le coût d'une réparation ou d'un remplacement dans le cadre de ces circonstances exclues est à la charge du client.

CLAUSE D'EXONÉRATION DE RESPONSABILITÉ AU TITRE DES GARANTIES IMPLICITES

LES GARANTIES IMPLICITES, Y COMPRIS LES GARANTIES APPLICABLES DE QUALITÉ MARCHANDE OU D'APTITUDE À UN USAGE PARTICULIER, SONT LIMITÉES À UN AN OU À LA PLUS COURTE PÉRIODE AUTORISÉE PAR LA LOI. Certains États et provinces ne permettent pas de limitation sur la durée des garanties implicites de qualité marchande ou d'aptitude à un usage particulier, de sorte que la limitation ci-dessus peut ne pas être applicable dans votre cas. Cette garantie vous confère des droits juridiques spécifiques et vous pouvez également jouir d'autres droits qui peuvent varier d'une juridiction à l'autre.

EXONÉRATION DE RESPONSABILITÉ DANS LES DOMAINES NON COUVERTS PAR LA GARANTIE

KitchenAid décline toute responsabilité au titre de la qualité, de la durabilité ou en cas de dépannage ou de réparation nécessaire sur ce gros appareil ménager autre que les responsabilités énoncées dans la présente garantie. Si vous souhaitez une garantie plus étendue ou plus complète que la garantie limitée fournie avec ce gros appareil ménager, adressez-vous à KitchenAid ou à votre détaillant pour obtenir les modalités d'achat d'une garantie étendue.

LIMITATION DES RECOURS; EXCLUSION DES DOMMAGES FORTUITS OU INDIRECTS

LE SEUL ET EXCLUSIF RECOURS DU CLIENT DANS LE CADRE DE LA PRÉSENTE GARANTIE LIMITÉE CONSISTE EN LA RÉPARATION PRÉVUE PAR LA PRÉSENTE. KITCHENAID N'ASSUME AUCUNE RESPONSABILITÉ POUR LES DOMMAGES FORTUITS OU INDIRECTS. Certains États et certaines provinces ne permettent pas l'exclusion ou la limitation des dommages fortuits ou indirects de sorte que ces limitations et exclusions peuvent ne pas être applicables dans votre cas. Cette garantie vous confère des droits juridiques spécifiques et vous pouvez également jouir d'autres droits qui peuvent varier d'une juridiction à l'autre.

11/14

Notes

