



## INSTALLATION INSTRUCTIONS BUILT-IN MICROWAVE OVEN KIT

## INSTRUCTIONS D'INSTALLATION ENSEMBLE FOUR À MICRO-ONDES ENCASTRÉ

This product is suitable for use above electric built-in ovens or warming drawers. This product is not suitable for use below cooktops. This Built-In Kit is designed for use with Jenn-Air Microwave Oven model specifying JMC3415ES Built-In Kit on the serial tag on the front of the microwave oven.

These Installation Instructions cover different models. The appearance of your particular model may differ slightly from the illustrations in these Installation Instructions.

Please read these instructions thoroughly before beginning installation.

Ce produit est conçu pour être installé au-dessus d'un four électrique encastré ou d'un tiroir-réchaud. Ce produit n'est pas conçu pour être installé sous une table de cuisson. L'ensemble four à micro-ondes encastré est conçu pour être utilisé avec les modèles de fours à micro-ondes Jenn-Air dont la plaque avant avec numéro de série indique le numéro d'ensemble encastré JMC3415ES.

Ces instructions d'installation couvrent plusieurs modèles. L'apparence de votre modèle peut différer légèrement des illustrations présentes dans ce manuel.

Lire ces instructions attentivement avant de commencer l'installation.

### Table of Contents/Table des matières

<b>BUILT-IN MICROWAVE OVEN SAFETY</b> .....	2	<b>SÉCURITÉ DU FOUR À MICRO-ONDES ENCASTRÉ</b> .....	10
<b>INSTALLATION REQUIREMENTS</b> .....	2	<b>EXIGENCES D'INSTALLATION</b> .....	10
Tools and Parts.....	2	Outils et pièces.....	10
Location Requirements .....	3	Exigences d'emplacement.....	11
Minimum Dimensions.....	3	Dimensions minimales .....	11
Product Dimensions.....	5	Dimensions du produit.....	13
Electrical Requirements .....	5	Spécifications électriques.....	13
<b>INSTALLATION INSTRUCTIONS</b> .....	6	<b>INSTRUCTIONS D'INSTALLATION</b> .....	14
Install Rear and Top Ducts .....	6	Installer les conduits arrière et supérieur .....	14
Install Rails and Bottom Duct .....	7	Installer les rails et le conduit inférieur.....	15
Install Microwave Oven and Trim Kit Frame.....	8	Installer le four à micro-ondes et le cadre de la trousse de garniture .....	16
Complete Installation .....	9	Terminer l'installation.....	17
To Remove Trim Kit Frame.....	9	Enlever le cadre de la trousse de garniture .....	17
<b>ASSISTANCE</b> .....	9	<b>ASSISTANCE</b> .....	17

#### IMPORTANT:

Save for local electrical inspector's use.

#### IMPORTANT :

À conserver pour consultation par l'inspecteur local des installations électriques.

**NOTE:** Do not remove protective film from trim kit frame before installing ducts and other mounting hardware. Only remove film just before installing trim on cabinet.

**REMARQUE :** Ne pas retirer le film de protection du cadre de la trousse de garniture avant l'installation des conduits et de la quincaillerie de fixation. Enlever le film juste avant l'installation du cadre sur le placard.

# BUILT-IN MICROWAVE OVEN SAFETY

## Your safety and the safety of others are very important.

We have provided many important safety messages in this manual and on your appliance. Always read and obey all safety messages.



This is the safety alert symbol.

This symbol alerts you to potential hazards that can kill or hurt you and others.

All safety messages will follow the safety alert symbol and either the word "DANGER" or "WARNING."

These words mean:

**⚠ DANGER**

You can be killed or seriously injured if you don't immediately follow instructions.

**⚠ WARNING**

You can be killed or seriously injured if you don't follow instructions.

All safety messages will tell you what the potential hazard is, tell you how to reduce the chance of injury, and tell you what can happen if the instructions are not followed.

## INSTALLATION REQUIREMENTS

### Tools and Parts

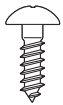
Gather the required tools and parts before starting installation. Read and follow the instructions provided with any tools listed here.

#### Tools Needed

- Phillips #2 screwdriver
- Measuring tape
- Combination square/straight edge
- Pencil
- Drill (for wall cabinet installations)
- 1/16" (0.16 cm) drill bit (for wall cabinet installations)
- 6" (15.2 cm) level

#### Parts Supplied

Check that all parts are included.

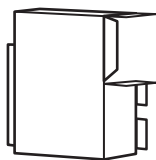


#8-14 x 1/2" screws (20)

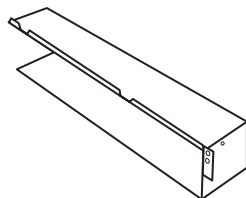


#10-3/4" x 5/16" self-drilling screw (2)

**NOTE:** #8-14 x 1/2" screws will come in 2 separate packages.



Duct 1 (1)



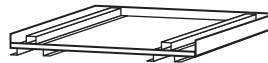
Duct 2 (1)



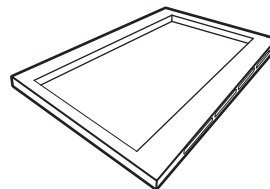
Duct 3 (1)



Duct 5 (1)



Bottom Duct (1)



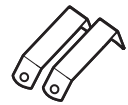
Trim Kit Frame (1)



Duct 4 (1)



Mounting Rails (2)



Bottom Duct Attachment Bracket (2)



Shims (1 pack)

## Location Requirements

The microwave oven may be located in a cabinet and/or above a built-in oven or warming drawer. Check the opening where the microwave oven will be installed. The bottom surface of the cutout must be a minimum of 36" (91.4 cm) above the floor.

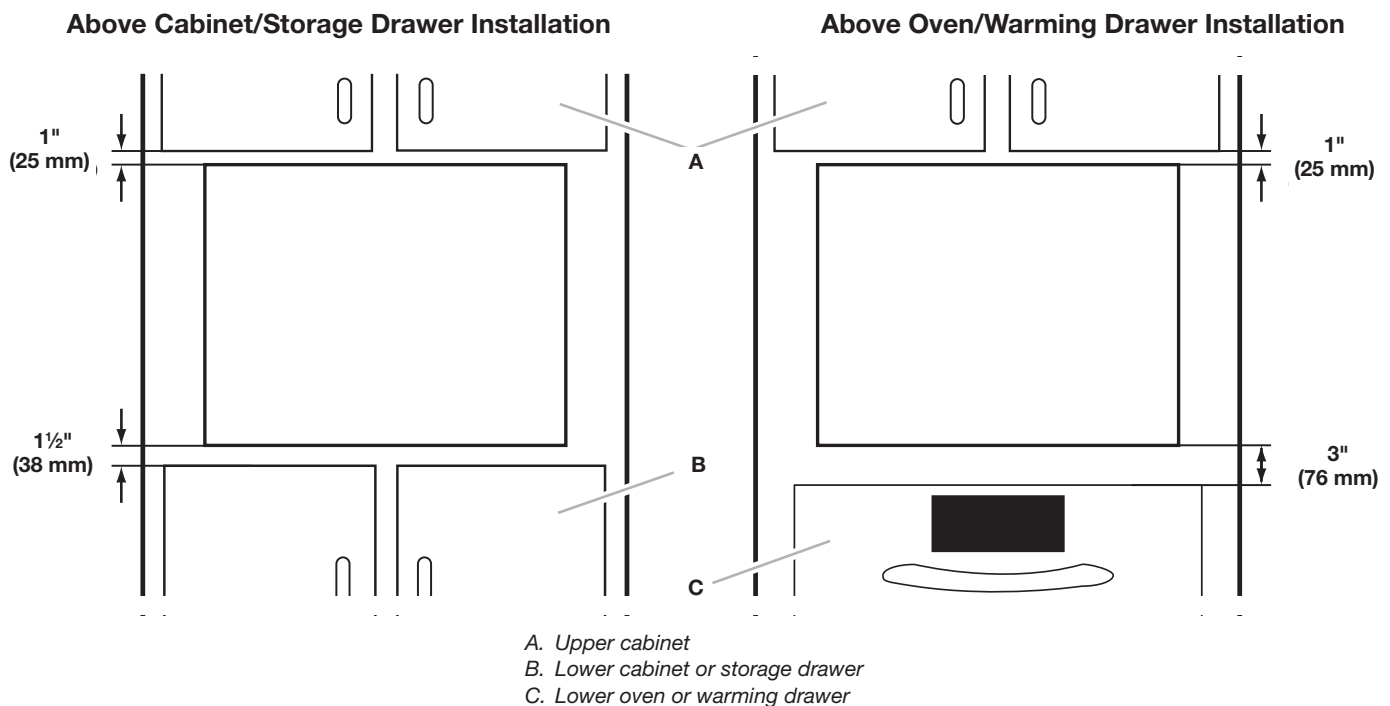
The location must provide:

- Wood cabinetry.
- Cutout opening that is plumb and square. See "Minimum Installation Clearances" in the "Minimum Dimensions" section.
- Cutout floor that is solid, level, and flush with bottom of cabinet cutout.
- Support for weight of at least 150 lbs (68 kg) which includes microwave oven and items placed inside.
- Grounded electrical outlet. See the "Electrical Requirements" section.
- Minimum installation clearances for installation location. See the "Minimum Dimensions" section.
- Complete enclosure around the recessed portion of the microwave oven, including a solid, full ceiling.
- A level floor – front to back and left to right.

## Minimum Dimensions

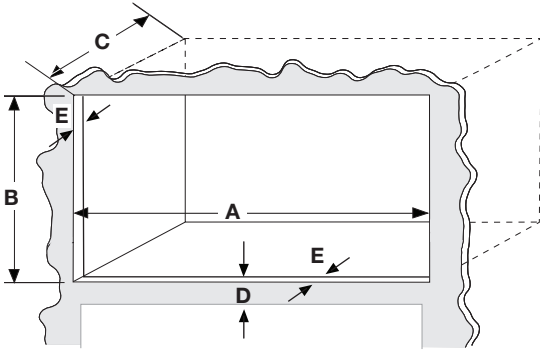
### Minimum Installation Clearances

For proper installation, the following minimum clearances must exist above and below the cutout opening.



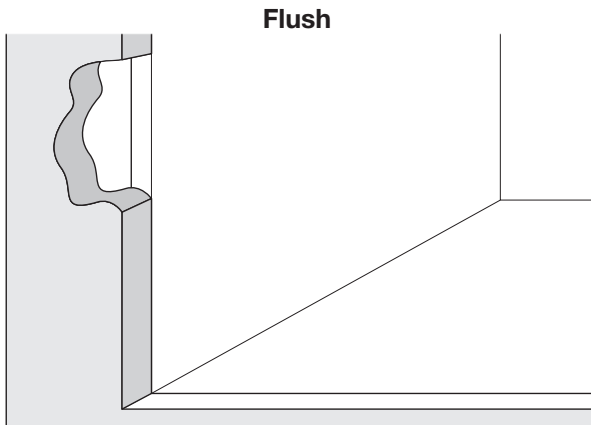
**NOTE:** The bottom surface of the cutout must be a minimum of 36" (91.4 cm) above the floor.

## Cabinet Requirements



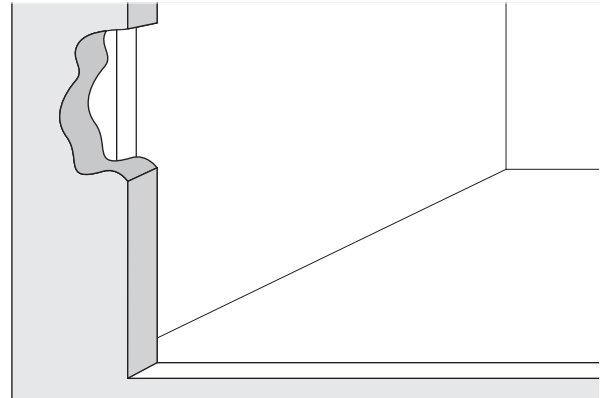
DIMENSION	27" (68.6 CM) INSTALLATION	30" (76.2 CM) INSTALLATION
Width (Dimension A)	26 $\frac{1}{4}$ " + $\frac{1}{4}$ ", -0" (66.7 cm + 1.3 cm, -0 cm)	29 $\frac{1}{4}$ " + $\frac{1}{4}$ ", -0" (74.3 + 1.3 cm, -0 cm)
Height (Dimension B)	18 $\frac{13}{16}$ " to 19 $\frac{1}{16}$ " (47.8 cm to 48.4 cm) for all installations	
Depth (Min.) (Dimension C)	21 $\frac{1}{2}$ " (54.6 cm) with flush receptacle	
Minimum clearance between cutout openings (Dimension D)	3" (7.6 cm) if installed over oven/warming drawer	
Face Frame (Dimension E)	2" (5.08 cm) min. finished return flush with opening edge on all 4 sides.	

**IMPORTANT:** The oven support surface must be solid, level, and flush with the bottom of the cabinet cutout. The floor must be able to support the microwave oven weight.

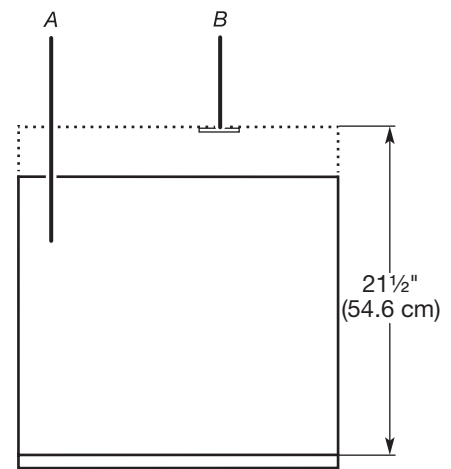


**NOTE:** Cabinet sides must be perpendicular to cabinet floor.

**Not Flush**

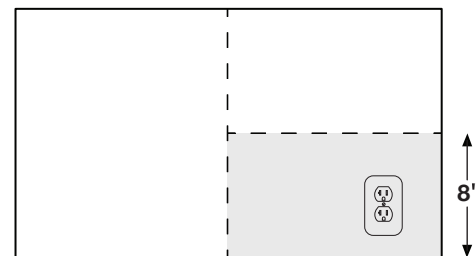


**Cutout Top View**



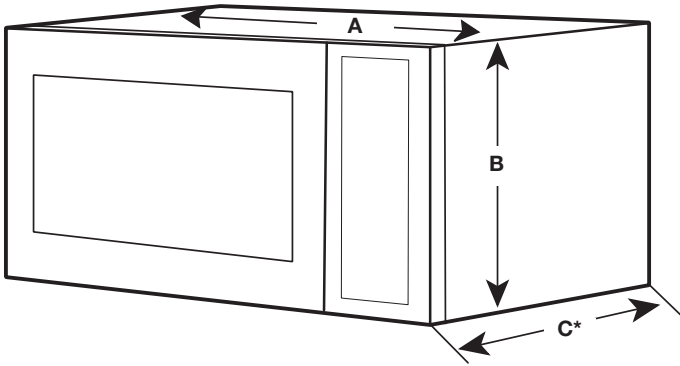
A. Microwave oven  
B. Flush receptacle

**Recommended Outlet Location**



Rear Wall of Cutout

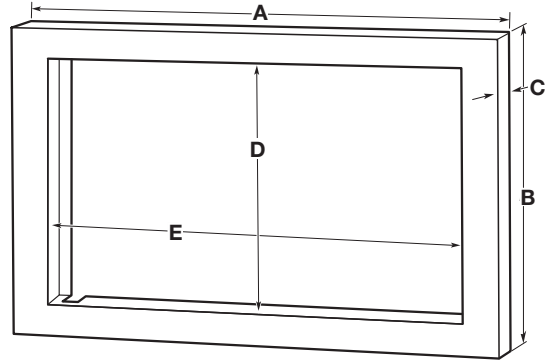
## Product Dimensions



\*Measurements include front facing of microwave oven.

DIMENSION	27" (68.6 CM) INSTALLATION	30" (76.2 CM) INSTALLATION
Width (Dimension A)	24 <sup>7</sup> / <sub>8</sub> " (63.2 cm)	30" (76.2 cm)
Height (Dimension B)	14 <sup>13</sup> / <sub>16</sub> " (37.6 cm)	
Depth (Dimension C)	19 <sup>1</sup> / <sub>16</sub> " (48.4 cm)	

## Trim Kit Frame Dimensions



DIMENSION	27" (68.6 CM) INSTALLATION	30" (76.2 CM) INSTALLATION
A	26 <sup>3</sup> / <sub>4</sub> " (68.0 cm)	29 <sup>3</sup> / <sub>4</sub> " (75.6 cm)
B	20 <sup>1</sup> / <sub>8</sub> " (51.1 cm)	20 <sup>1</sup> / <sub>8</sub> " (51.1 cm)
C	1 <sup>1</sup> / <sub>4</sub> " (3.2 cm)	1 <sup>1</sup> / <sub>4</sub> " (3.2 cm)
D	14 <sup>7</sup> / <sub>16</sub> " (36.7 cm)	14 <sup>7</sup> / <sub>16</sub> " (36.7 cm)
E	24 <sup>3</sup> / <sub>4</sub> " (62.9 cm)	24 <sup>3</sup> / <sub>4</sub> " (62.9 cm)

## Electrical Requirements

### ⚠ WARNING



#### Electrical Shock Hazard

- Plug into a grounded 3 prong outlet.**
- Do not remove ground prong.**
- Do not use an adapter.**
- Do not use an extension cord.**
- Failure to follow these instructions can result in death, fire, or electrical shock.**

Observe all governing codes and ordinances.

#### Required:

- A 3 prong, polarized 115- to 120-volt, 60 Hz, AC-only, 15- or 20-amp electrical outlet at the rear of the opening.

#### Recommended:

- A time-delay fuse or time-delay circuit breaker
- A separate circuit serving only this microwave oven

## GROUNDING INSTRUCTIONS

#### ■ For all cord connected appliances:

The microwave oven must be grounded. In the event of an electrical short circuit, grounding reduces the risk of electric shock by providing an escape wire for the electric current. The microwave oven is equipped with a cord having a grounding wire with a grounding plug. The plug must be plugged into an outlet that is properly installed and grounded.

**WARNING:** Improper use of the grounding plug can result in a risk of electric shock. Consult a qualified electrician or serviceman if the grounding instructions are not completely understood, or if doubt exists as to whether the microwave oven is properly grounded.

Do not use an extension cord. If the power supply cord is too short, have a qualified electrician or serviceman install an outlet near the microwave oven.

## SAVE THESE INSTRUCTIONS

# INSTALLATION INSTRUCTIONS

## **⚠ WARNING**

### **Excessive Weight Hazard**

**Use two or more people to move and install microwave oven.**

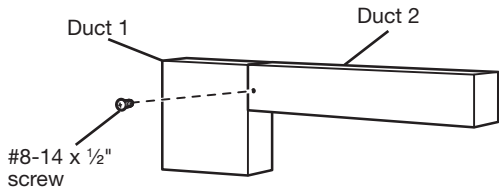
**Failure to do so can result in back or other injury.**

**IMPORTANT:** To prevent damage, do not remove protective film on the frame.

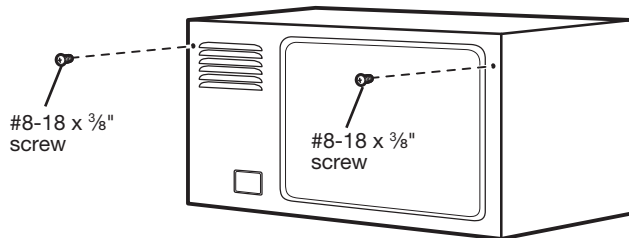
1. Empty microwave oven cavity of any loose contents, including turntable.
2. Ensure floor of cabinet is level.

## Install Rear and Top Ducts

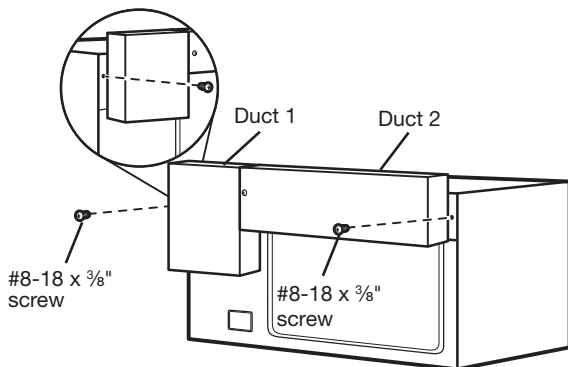
1. Insert the edge of duct 1 into duct 2. Fasten together with 1 #8-14 x 1/2" screw.



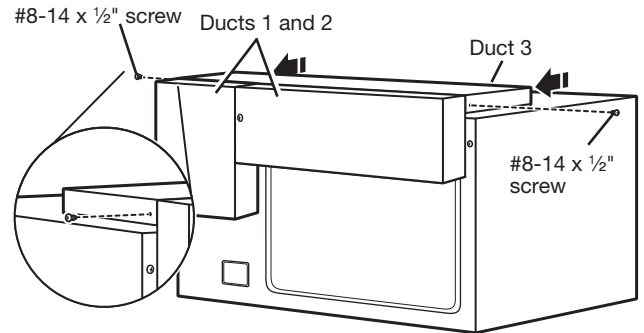
2. Remove the 2 existing #8-18 x 3/8" screws at upper right and left corners of the microwave oven.



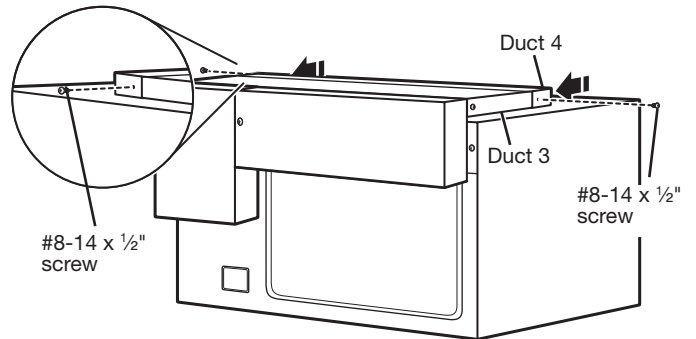
3. Secure ducts 1 and 2 with #8-18 x 3/8" screws just removed from the microwave oven.



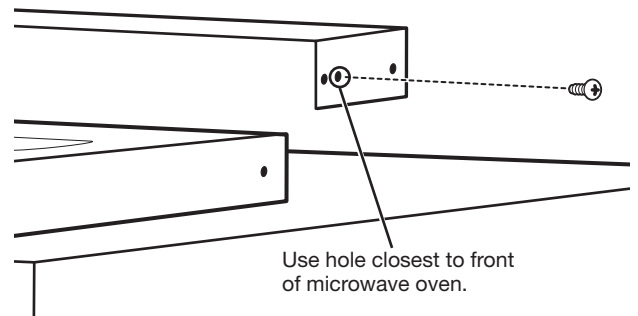
4. Position duct 3 on the top of the microwave oven, inserting the edge of ducts 1 and 2 into duct 3. Secure duct 3 to ducts 1 and 2 using 2 #8-14 x 1/2" screws.



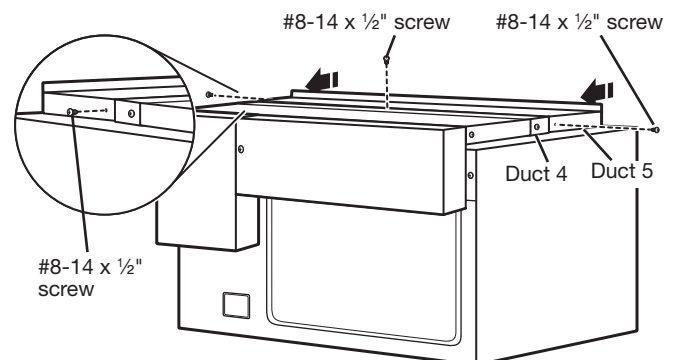
5. Position duct 4 on top of the microwave oven and insert it into duct 3. Secure duct 4 to duct 3 using 2 #8-14 x 1/2" screws.



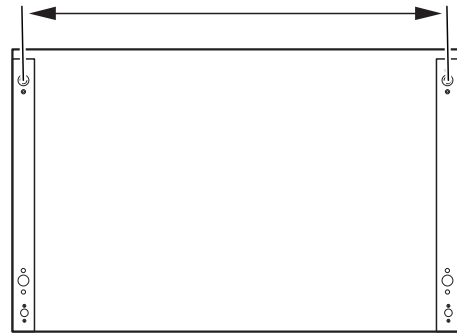
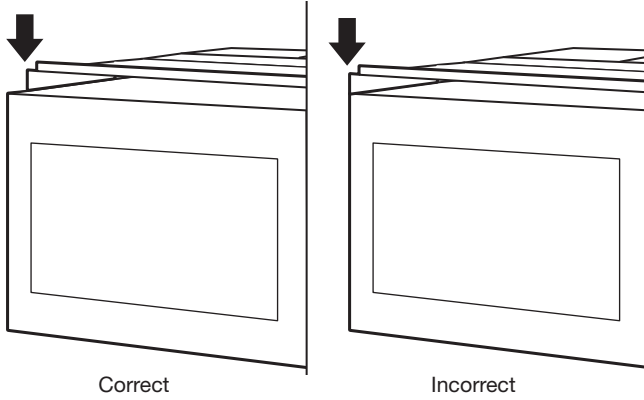
**IMPORTANT:** The double holes on duct 4 go toward the back of the microwave oven. On each side of duct 4, screw 1 #8-14 x 1/2" screw into the front-most hole of the double hole.



6. Position duct 5 on top of the microwave oven and insert it into duct 4. Secure duct 5 using 3 #8-14 x 1/2" screws provided.



**IMPORTANT:** The flanges of duct 5 go under duct 4. The front edge of the duct should be flush with the microwave oven itself and not the door.

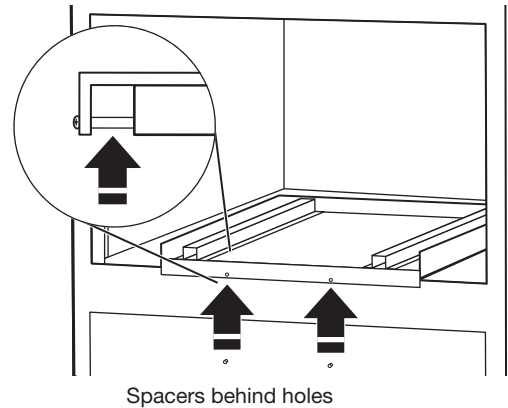
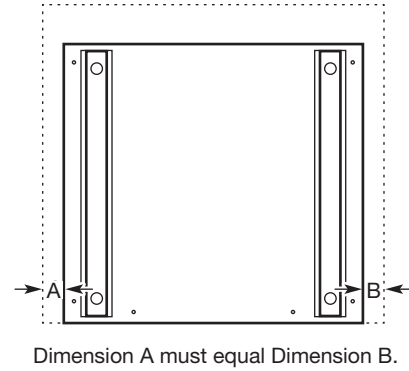
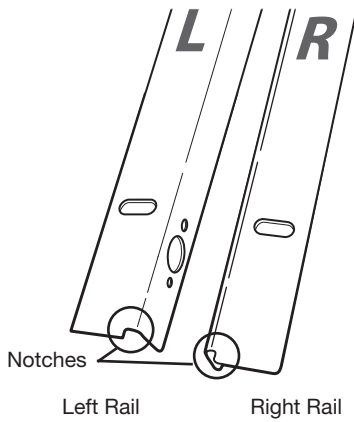


- Position bottom duct in cabinet so that each side of duct is the same distance from the side walls and spacers are flush with cabinet.

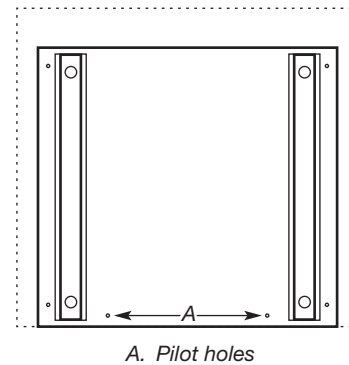
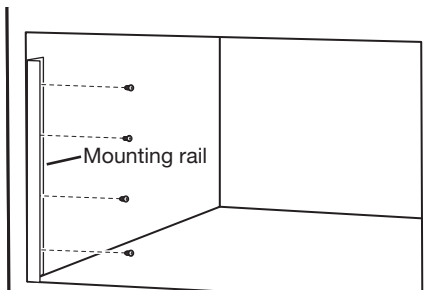
### Install Rails and Bottom Duct

- Make sure notch is at bottom of rail. Position the rail marked L on the left side of the cabinet with the bottom edge resting on the cabinet floor. Verify rail is flush with the face of the cabinet before proceeding. Drill pilot holes. Attach mounting rail using 4 #8-14 x 1/2" screws.

**NOTE:** Drive screws in the center of the holes in the mounting rail.



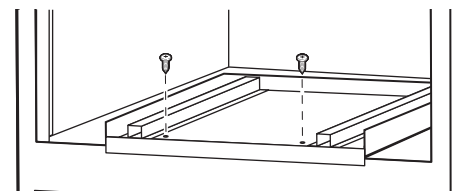
- Drill pilot holes for 2 holes on the front of the bottom duct.



- Repeat Step 1 on right side of cabinet. Use the following chart and illustration to measure the distance between center of mounting rail holes. Use shims if measured distance is incorrect.

27" (68.6 CM) INSTALLATION	30" (76.2 CM) INSTALLATION
25 1/2" (64.8 cm)	28 1/2" (72.4 cm)

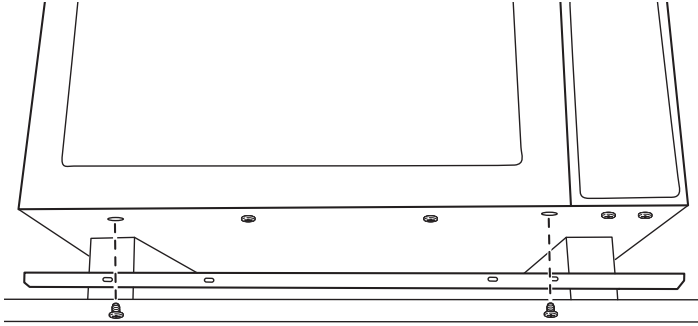
- Secure bottom duct to cabinet floor with 2 #8-14 x 1/2" screws on front of bottom duct.



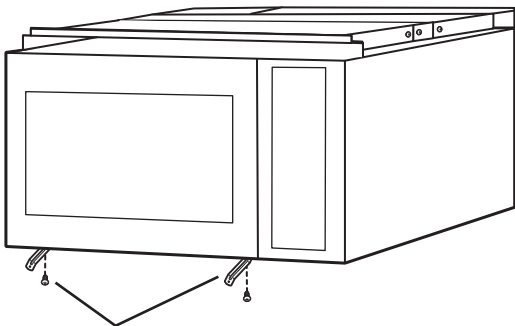
## Install Microwave Oven and Trim Kit Frame

1. Moving from right to left, remove the third and sixth screws from the front of the microwave bottom plate.

**NOTE:** Do not remove screws from door.



2. Use the screws just removed to install the Bottom Duct Attachment Brackets in the same holes the screws were removed from.



Bottom Duct Attachment Brackets

### ⚠ WARNING



#### Electrical Shock Hazard

**Plug into a grounded 3 prong outlet.**

**Do not remove ground prong.**

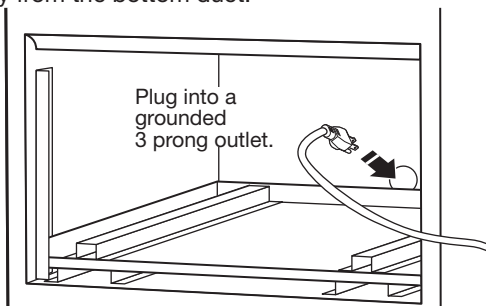
**Do not use an adapter.**

**Do not use an extension cord.**

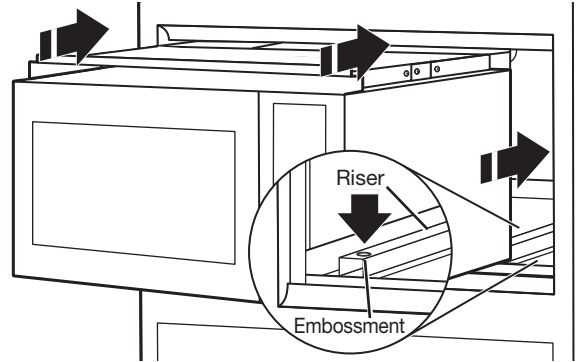
**Failure to follow these instructions can result in death, fire, or electrical shock.**

3. With the microwave oven near the opening, plug the microwave oven into the grounded 3 prong outlet.

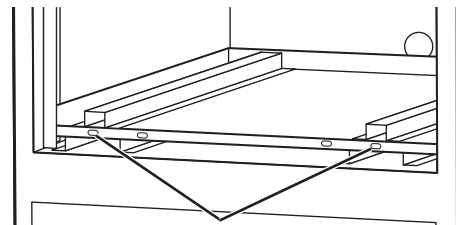
**NOTE:** To avoid pinching of the power cord, make sure it is away from the bottom duct.



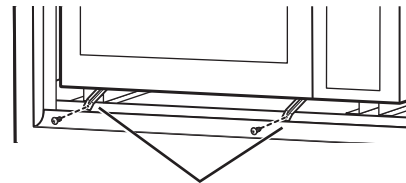
4. Place the microwave oven in the cabinet on the risers. Make sure the feet are firmly seated in embossments located on risers. Verify that microwave oven is level.



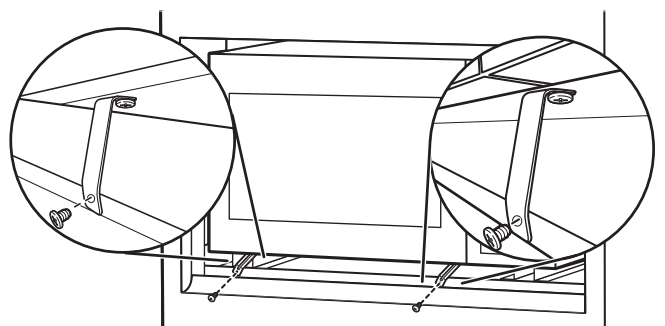
5. Secure the microwave oven to the bottom duct. Using 2 #10-3/4" x 5/16" self-drilling screws, fasten the Bottom Duct Attachment Brackets to the first and fourth holes in the front of the bottom duct.



Holes for Bottom Duct Attachment Brackets

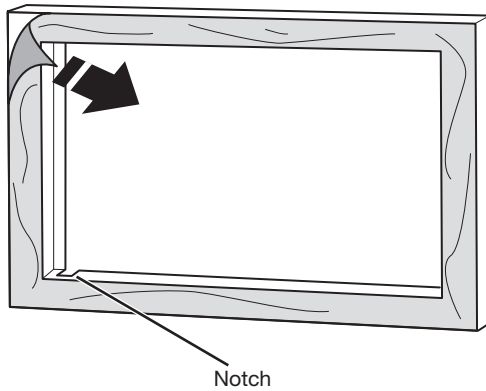


Bottom Duct Attachment Brackets



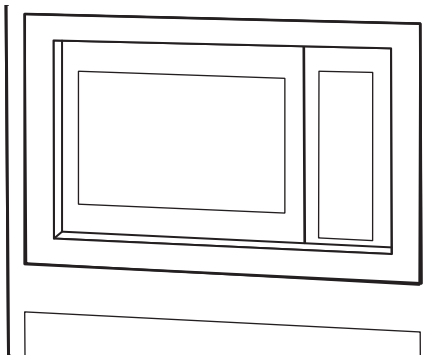
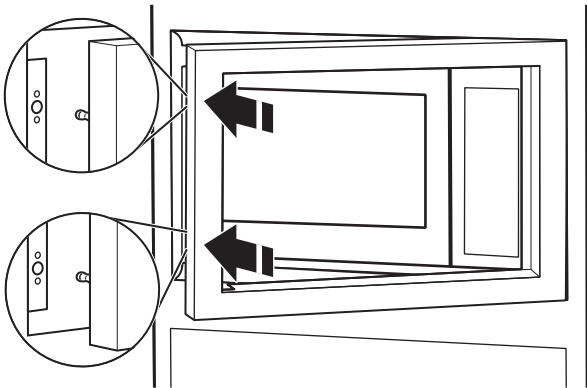


6. Remove protective film from trim kit frame.



7. Align trim kit frame studs with corresponding holes in mounting rails and snap into place.

**NOTE:** Top and bottom studs are different distances from the edge, so the trim kit frame will install in only 1 way. Ensure notch is in lower-left corner.



Installed Microwave Oven

## Complete Installation

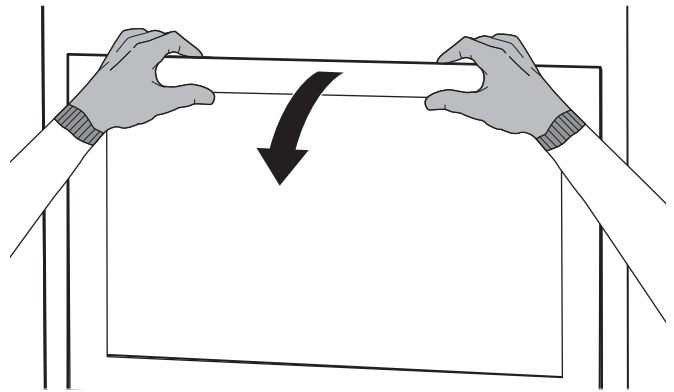
1. Install the turntable in the microwave oven.
2. Check the operation of microwave oven by placing 1 cup (250 mL) of water on the turntable and programming cook time of 1 minute at 100% power.
3. If the microwave oven does not operate:
  - Check that a household fuse has not blown or a circuit breaker tripped. Replace the fuse or reset the circuit breaker. If the problem continues, call an electrician.
  - Check that the power supply cord is plugged into a grounded 3 prong outlet.
  - See the Use and Care Guide for troubleshooting information.

Installation is now complete.

Save these Installation Instructions for future use.

## To Remove Trim Kit Frame

Firmly grasp top of trim at vent area and pull away.



## ASSISTANCE

Call your authorized dealer or service center. When you call, you will need the microwave oven model number and serial number. Both numbers can be found on the model and serial number plate, which is located behind the microwave oven door on the front frame of the microwave oven.

If you need additional assistance, call us at our toll-free number or visit our website listed in the Use and Care Guide.

# SÉCURITÉ DU FOUR À MICRO-ONDES ENCASTRÉ

## Votre sécurité et celle des autres est très importante.

Nous donnons de nombreux messages de sécurité importants dans ce manuel et sur votre appareil ménager. Assurez-vous de toujours lire tous les messages de sécurité et de vous y conformer.



Voici le symbole d'alerte de sécurité.

Ce symbole d'alerte de sécurité vous signale les dangers potentiels de décès et de blessures graves à vous et à d'autres.

Tous les messages de sécurité suivront le symbole d'alerte de sécurité et le mot "DANGER" ou "AVERTISSEMENT". Ces mots signifient :

**⚠ DANGER**

**Risque possible de décès ou de blessure grave si vous ne suivez pas immédiatement les instructions.**

**⚠ AVERTISSEMENT**

**Risque possible de décès ou de blessure grave si vous ne suivez pas les instructions.**

Tous les messages de sécurité vous diront quel est le danger potentiel et vous disent comment réduire le risque de blessure et ce qui peut se produire en cas de non-respect des instructions.

## EXIGENCES D'INSTALLATION

### Outils et pièces

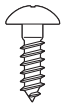
Rassembler les outils et pièces nécessaires avant d'entreprendre l'installation. Lire et observer les instructions fournies avec chacun des outils de la liste ci-dessous.

#### Outils nécessaires

- Tournevis Phillips no 2
- Mètre ruban
- Ensemble de coins carrés/droits
- Crayon
- Perceuse (pour l'installation dans un placard mural)
- Foret de 1/16" (0,16 mm) (pour installations dans un placard mural)
- Niveau de 6" (15,2 cm)

#### Pièces fournies

Vérifier que toutes les pièces sont présentes.

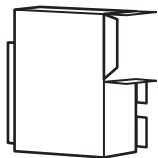


Vis no 8, 14 x 1/2" (28)

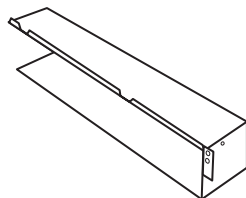


Vis autoperceuses no 10, 3/4" x 5/16" (2)

**REMARQUE :** Les vis no 8, 14 x 1/2", sont rangées dans 2 emballages distincts.



Conduit 1 (1)



Conduit 2 (1)



Conduit 3 (1)



Conduit 4 (1)



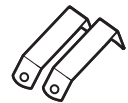
Conduit 5 (1)



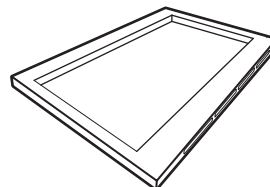
Rails de montage (2)



Conduit inférieur (1)



Supports de fixation du conduit inférieur (2)



Cadre de la trousse de garniture (1)



Cale (1 emballage)

## Exigences d'emplacement

Le four à micro-ondes peut être installé dans un placard et au-dessus d'un four encastré ou d'un tiroir-réchaud. Inspecter l'ouverture où le four à micro-ondes sera installé. La surface inférieure de l'ouverture doit être d'un minimum de 36" (91,4 cm) au-dessus du plancher.

Il doit comporter les caractéristiques suivantes :

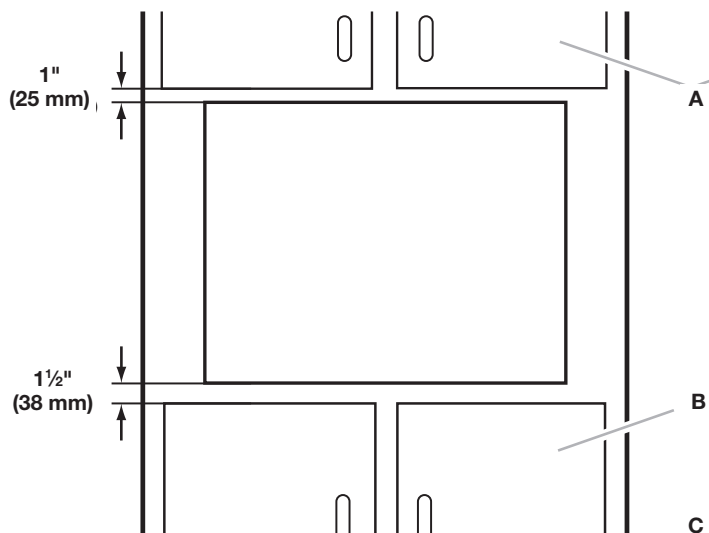
- Placards de bois.
- Ouverture découpée qui est d'aplomb et d'équerre. Voir le point "Dimensions de l'ouverture à découper" dans la section "Dimensions minimales".
- Plancher au niveau de l'encastrement robuste, d'aplomb et en affleurement avec le bas de l'ouverture découpée du placard.
- Capable de soutenir une charge d'au moins 150 lb (68 kg), ce qui comprend le four à micro-ondes, ainsi que les éléments placés à l'intérieur.
- Prise de courant reliée à la terre. Voir la section "Spécifications électriques".
- Distances de dégagement minimales pour l'emplacement d'installation. Voir la section "Dimensions minimales".
- Enceinte complète autour de la partie encastrée du four à micro-ondes, incluant un plafond complet et solide.
- Plancher de niveau, de l'avant à l'arrière et de gauche à droite.

## Dimensions minimales

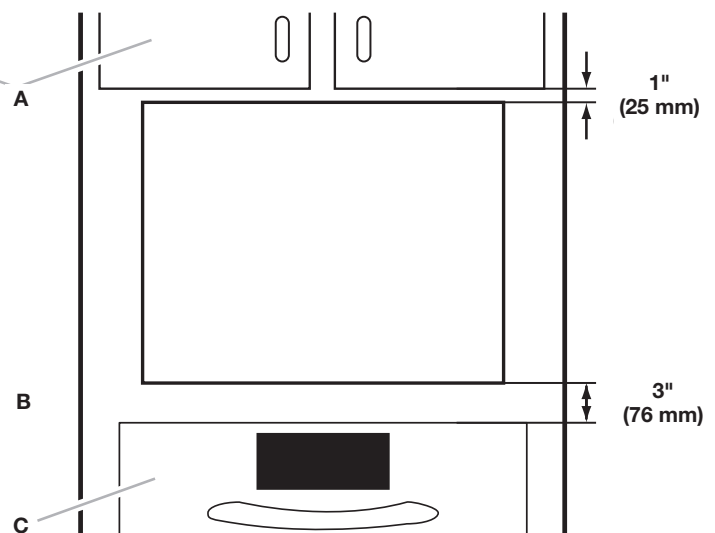
### Distances de dégagement minimales pour l'installation

Pour une installation correcte, les distances de dégagement minimales suivantes doivent être respectées au-dessus et au-dessous de l'ouverture à découper.

#### Installation au-dessus d'un placard/tiroir de remisage



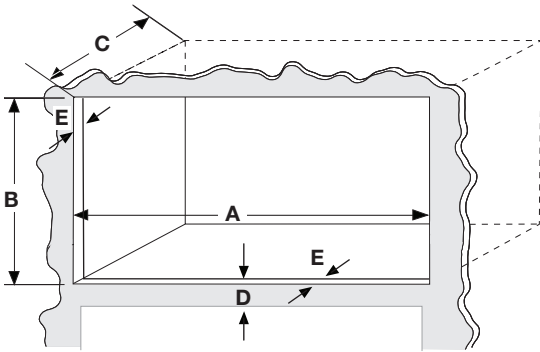
#### Installation au-dessus du four/tiroir de remisage



- A. Placard supérieur
- B. Placard inférieur ou tiroir de remisage
- C. Four inférieur ou tiroir-réchaud

**REMARQUE :** La surface inférieure de l'ouverture doit être d'un minimum de 36" (91,4 cm) au-dessus du plancher.

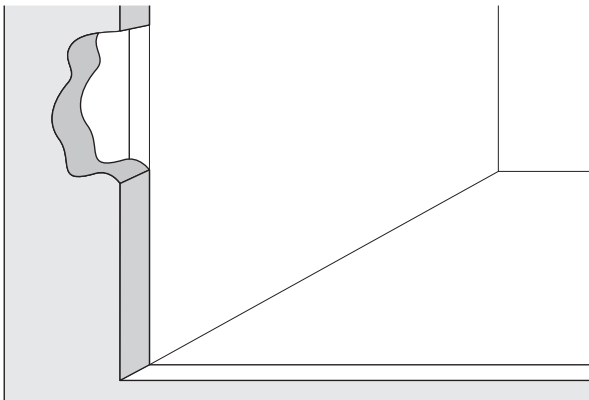
## Spécifications du placard



DIMENSION	INSTALLATION DE 27" (68,6 CM)	INSTALLATION DE 30" (76,2 CM)
Largeur (dimension A)	26 $\frac{1}{4}$ " + $\frac{1}{4}$ ", -0" (66,7 cm + 1,3 cm, -0 cm)	29 $\frac{1}{4}$ " + $\frac{1}{4}$ ", -0" (74,3 cm + 1,3 cm, -0 cm)
Hauteur (dimension B)	18 $\frac{13}{16}$ " à 19 $\frac{1}{16}$ ", (47,8 cm + 48,4 cm) pour toutes les installations	
Profondeur (min) (dimension C)	21 $\frac{1}{2}$ " (54,6 cm) avec une prise en affleurement	
Dégagement minimum entre les ouvertures découpées (dimension D)	3" (7,6 cm) si installé au-dessus d'un four ou d'un tiroir-réchaud	
Cadre avant (dimension E)	2" (5,08 cm) min, fini en affleurement avec l'ouverture des 4 côtés.	

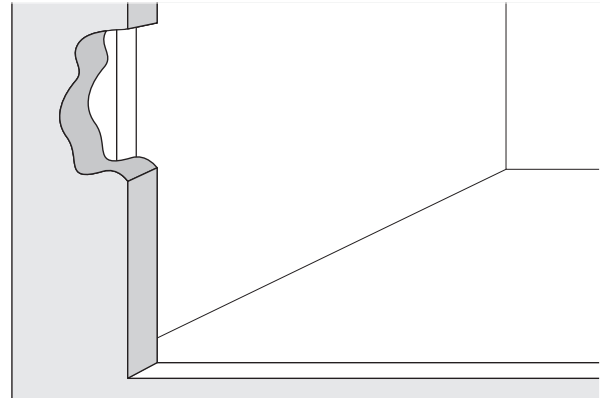
**IMPORTANT :** La surface de support du four doit être robuste, horizontale et en affleurement avec le bas de l'ouverture découpée dans le placard. Le plancher doit être en mesure de supporter le poids du four à micro-ondes.

### En affleurement

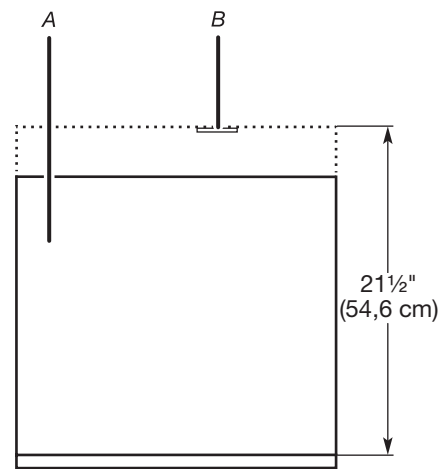


**REMARQUE :** Les côtés du placard doivent être perpendiculaires au plancher.

### Non aligné



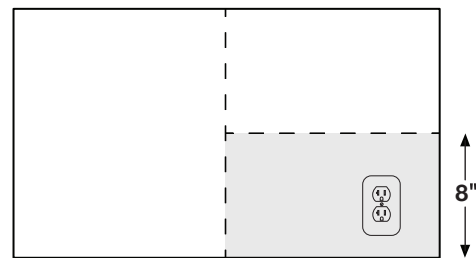
### Vue de dessus de l'ouverture à découper



A. Four à micro-ondes

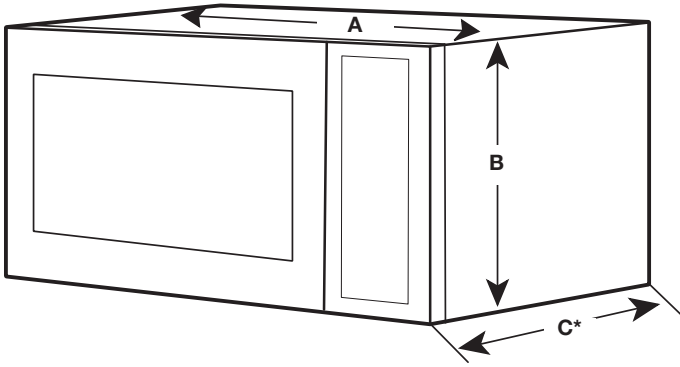
B. Prise en affleurement

### Emplacement recommandé pour la prise de courant



Ouverture découpée du mur arrière

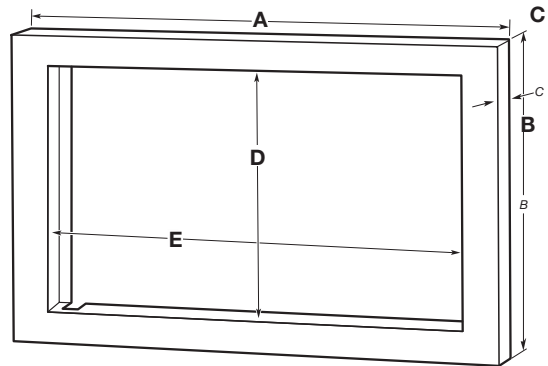
## Dimensions du produit



\*Les mesures comprennent la partie avant du four à micro-ondes.

DIMENSION	INSTALLATION DE 27" (68,6 CM)	INSTALLATION DE 30" (76,2 CM)
Largeur (dimension A)	24 <sup>7</sup> / <sub>8</sub> " (63,2 cm)	30" (76,2 cm)
Hauteur (dimension B)	14 <sup>13</sup> / <sub>16</sub> " (37,6 cm)	
Profondeur (min) (dimension C)	19 <sup>1</sup> / <sub>16</sub> " (48,4 cm)	

## Dimensions du cadre de la trousse de garniture



DIMENSION	INSTALLATION DE 27" (68,6 CM)	INSTALLATION DE 30" (76,2 CM)
A	26 <sup>3</sup> / <sub>4</sub> " (68,0 cm)	29 <sup>3</sup> / <sub>4</sub> " (75,6 cm)
B	20 <sup>1</sup> / <sub>8</sub> " (51,1 cm)	20 <sup>1</sup> / <sub>8</sub> " (51,1 cm)
C	1 <sup>1</sup> / <sub>4</sub> " (3,2 cm)	1 <sup>1</sup> / <sub>4</sub> " (3,2 cm)
D	14 <sup>7</sup> / <sub>16</sub> " (36,7 cm)	14 <sup>7</sup> / <sub>16</sub> " (36,7 cm)
E	24 <sup>3</sup> / <sub>4</sub> " (62,9 cm)	24 <sup>3</sup> / <sub>4</sub> " (62,9 cm)

## Spécifications électriques

### ⚠ AVERTISSEMENT



#### Risque de choc électrique

**Déconnecter la source de courant électrique avant le nettoyage.**

**Replacer pièces et panneaux avant de faire la remise en marche.**

**Le non-respect de ces instructions peut causer un décès ou un choc électrique.**

Observer les dispositions de tous les codes et règlements en vigueur.

#### Exigences :

- Une prise électrique à 3 alvéoles de 115 à 120 V CA, 60 Hz, 15 ou 20 A à l'arrière de l'ouverture.

#### Recommandation :

- Un fusible temporisé ou un disjoncteur temporisé.
- Un circuit distinct exclusif au four à micro-ondes.

### INSTRUCTIONS DE LIAISON À LA TERRE

- **Pour tout appareil ménager connecté par un cordon de courant électrique :**

Il faut que le four à micro-ondes soit relié à la terre. En cas de court-circuit électrique, la liaison à la terre réduit le risque de choc électrique car le courant électrique dispose d'un itinéraire direct d'acheminement à la terre. Le four à micro-ondes est doté d'un cordon de courant électrique qui comporte un fil de liaison à la terre, avec broche de liaison à la terre. On doit brancher la fiche sur une prise de courant convenablement installée et reliée à la terre.

**AVERTISSEMENT :** L'utilisation incorrecte du dispositif de liaison à la terre peut susciter un risque de choc électrique. L'utilisateur qui ne comprend pas bien les instructions de liaison à la terre, ou qui n'est pas certain que le four à micro-ondes soit convenablement relié à la terre, devrait consulter un électricien qualifié.

Ne pas utiliser un câble de rallonge. Si le cordon de courant électrique est trop court, demander à un électricien qualifié d'installer une prise de courant à proximité du four à micro-ondes.

**CONSERVEZ CES INSTRUCTIONS**

# INSTRUCTIONS D'INSTALLATION

## **⚠ AVERTISSEMENT**

### Risque du poids excessif

Utiliser deux ou plus de personnes pour déplacer et installer le four à micro-ondes.

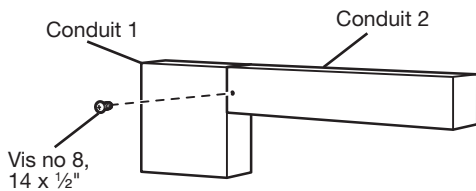
Le non-respect de cette instruction peut causer une blessure au dos ou d'autre blessure.

**IMPORTANT :** Pour prévenir les dommages, ne pas enlever le film protecteur du cadre.

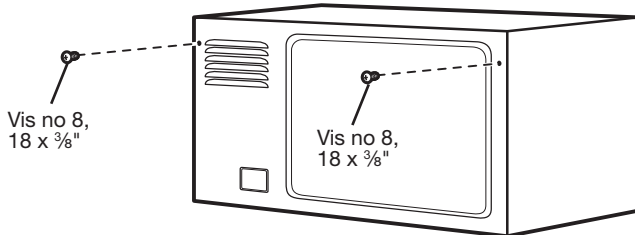
1. Vider le four à micro-ondes de tout article, incluant le plateau rotatif.
2. S'assurer que le plancher du cabinet est de niveau.

## Installer les conduits arrière et supérieur

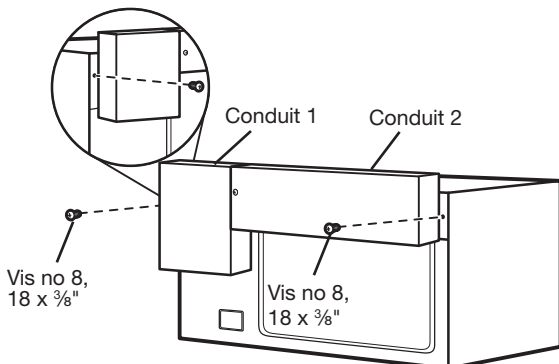
1. Insérer les collerettes du conduit 1 dans le conduit 2. Fixer à l'aide de 1 vis no 8, 14 x 1/2".



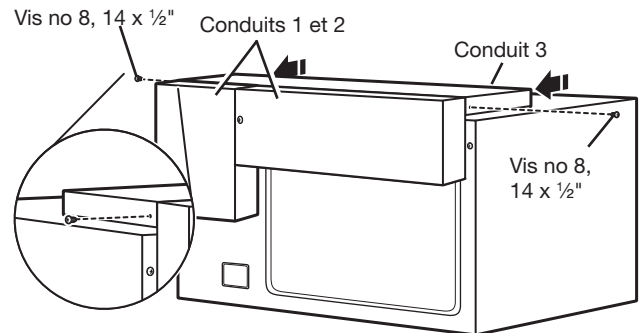
2. Enlever les 2 vis no 8, 18 x 3/8", situées dans les coins supérieurs gauche et droit du four à micro-ondes.



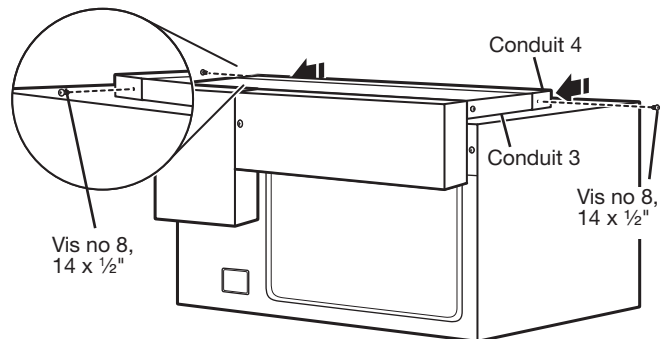
3. Fixer les conduits 1 et 2 à l'aide des 2 vis no 8, 18 x 3/8", enlevées à l'étape précédente.



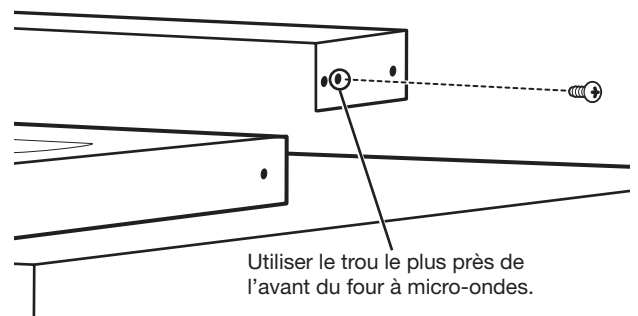
4. Placer le conduit 3 sur le dessus du four à micro-ondes, insérer les collerettes des conduits 1 et 2 dans le conduit 3. Fixer le conduit 3 aux conduits 1 et 2 à l'aide de 2 vis no 8, 14 x 1/2".



5. Placer le conduit 4 sur le dessus du micro-ondes et l'insérer dans le conduit 3. Fixer le conduit 4 au conduit 3 à l'aide de 2 vis no 8, 14 x 1/2".

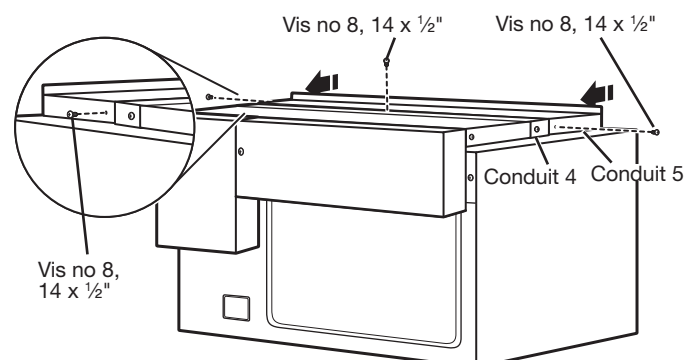


**IMPORTANT :** Les trous doubles du conduit 4 vont à l'arrière du four à micro-ondes. De chaque côté du conduit 4, visser 1 vis no 8, 14 x 1/2", dans le trou le plus à l'avant du trou double.

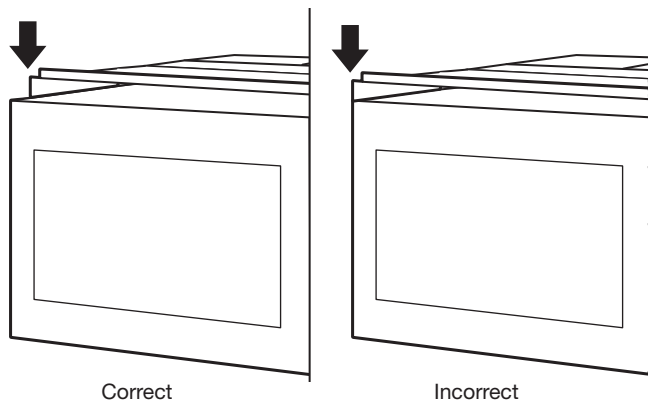


Utiliser le trou le plus près de l'avant du four à micro-ondes.

6. Placer le conduit 5 sur le dessus du micro-ondes et l'insérer dans le conduit 4. Fixer le conduit 5 à l'aide de 3 vis no 8, 14 x 1/2".



**IMPORTANT :** Les collerettes du conduit 5 doivent aller sous le conduit 4. Le côté avant du conduit doit affleurer le four à micro-ondes lui-même, pas la porte.



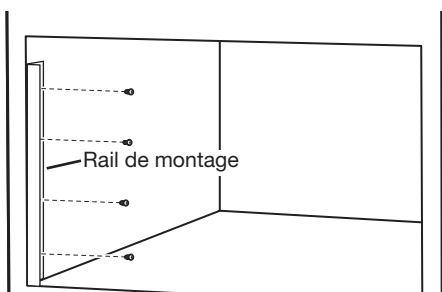
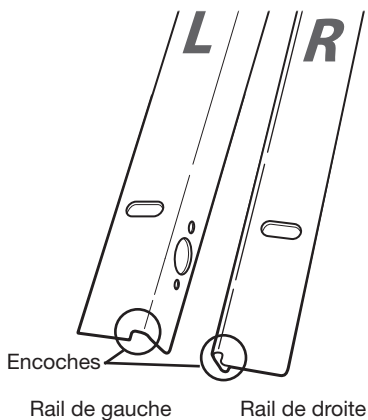
Correct

Incorrect

## Installer les rails et le conduit inférieur

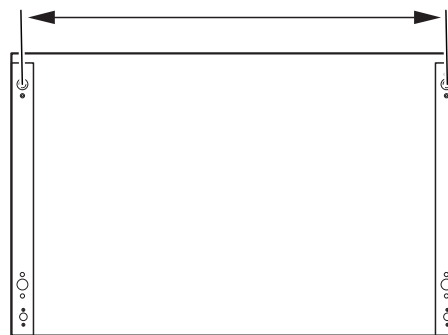
- Vérifier que l'encoche est au bas du rail. Placer le rail "L" sur le côté gauche du placard, le coin inférieur reposant sur le plancher du placard. Vérifier que le rail est égal à l'avant du placard avant de continuer. Percer des avant-trous. Fixer les rails à l'aide de 4 vis no 8, 14 x 1/2".

**REMARQUE :** Visser les vis au centre des trous du rail.

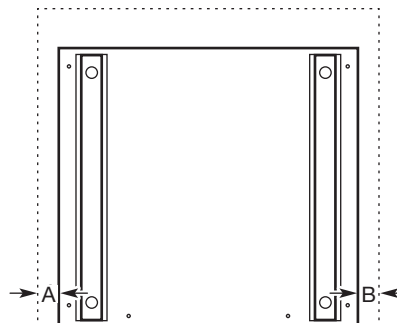


- Répéter l'étape 1 pour l'autre côté du placard. Utiliser les illustrations et le tableau suivants pour mesurer la distance entre le centre des trous du rail. Utiliser des cales si la distance mesurée est incorrecte.

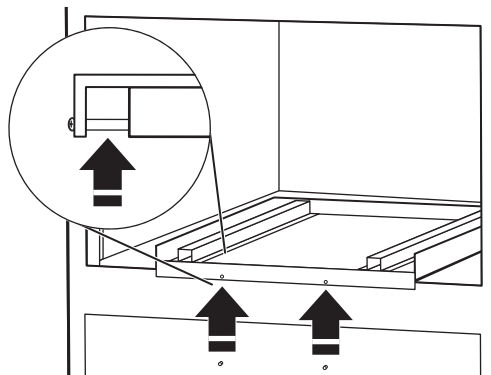
INSTALLATION DE 27" (68,6 CM)	INSTALLATION DE 30" (76,2 CM)
25 1/2" (64,8 cm)	28 1/2" (72,4 cm)



- Positionner le conduit inférieur dans le placard pour que chacun de ses côtés soit situé à la même distance des murs et que les espaceurs soient en affleurement avec le devant du placard.

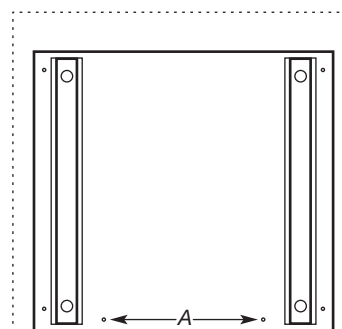


La dimension A doit être égale à la dimension B



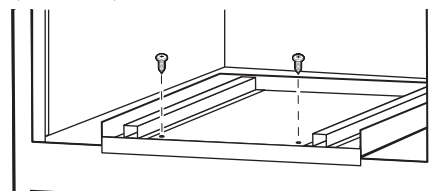
Espaceurs derrière les trous

- Percer 2 avant-trous à l'avant du conduit inférieur.



A. Avant-trous

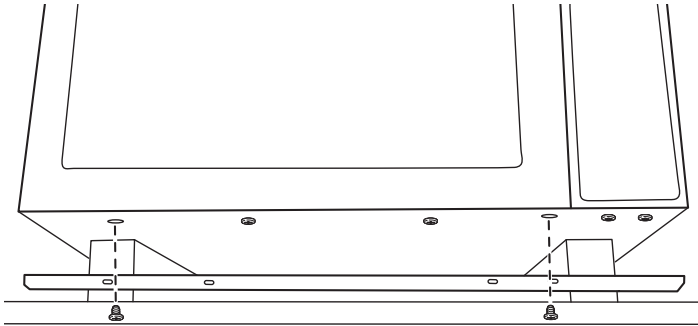
- Fixer le conduit inférieur au plancher du placard à l'aide de 2 vis no 8, 14 x 1/2", à l'avant du conduit inférieur.



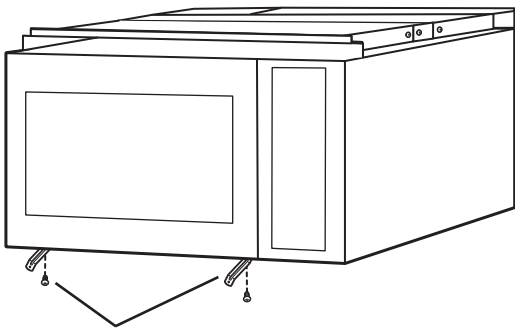
## Installer le four à micro-ondes et le cadre de la trousse de garniture

1. En commençant de la droite à la gauche, enlever la troisième et la sixième vis de l'avant de la plaque inférieure du four à micro-ondes.

**REMARQUE :** Ne pas enlever les vis de la porte.



2. Utiliser les vis enlevées pour installer les supports de fixation du conduit inférieur dans les mêmes trous.



Supports de fixation du conduit inférieur

### **⚠ AVERTISSEMENT**



#### Risque de choc électrique

**Brancher sur une prise à 3 alvéoles reliée à la terre.**

**Ne pas enlever la broche de liaison à la terre.**

**Ne pas utiliser un adaptateur.**

**Ne pas utiliser un câble de rallonge.**

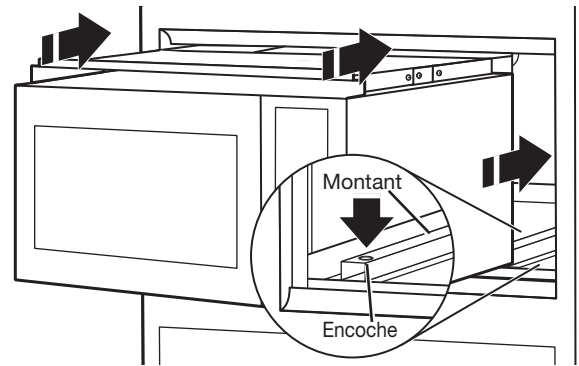
**Le non-respect de ces instructions peut causer un décès, un incendie ou un choc électrique.**

3. Tout en gardant le four à micro-ondes à proximité de l'ouverture d'encastrement, brancher le four à micro-ondes dans la prise à 3 broches reliée à la terre.

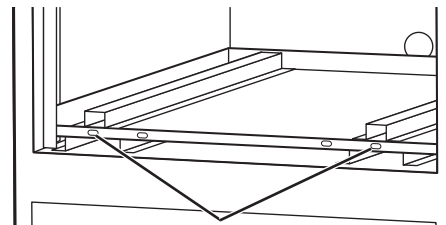
**REMARQUE :** Pour éviter de coincer le cordon d'alimentation, s'assurer de l'éloigner du conduit inférieur.



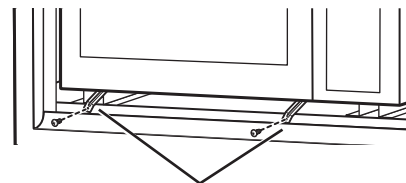
4. Placer le four à micro-ondes dans le placard, sur les montants. S'assurer que les pieds sont bien placés dans les encoches des montants. Vérifier l'aplomb du four à micro-ondes.



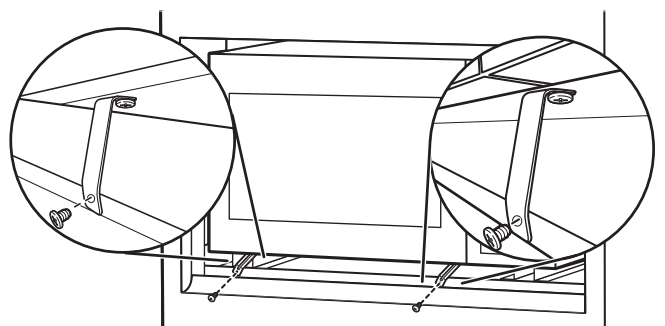
5. Fixer le four à micro-ondes sur le conduit inférieur. À l'aide de 2 vis autoperceuses no 10, 3/4" x 5/16", fixer les supports de fixation du conduit inférieur par le premier et le quatrième trous à partir de l'avant du conduit inférieur.



Trous pour les supports de fixation du conduit inférieur

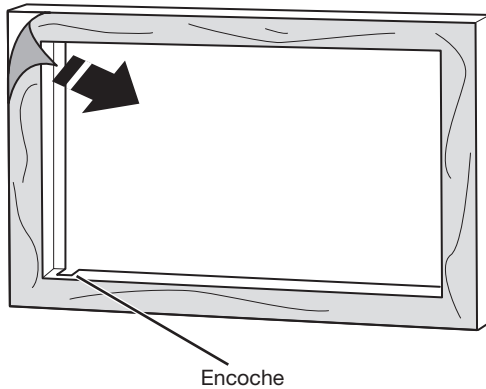


Supports de fixation du conduit inférieur





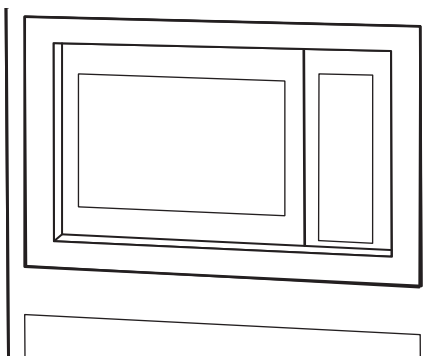
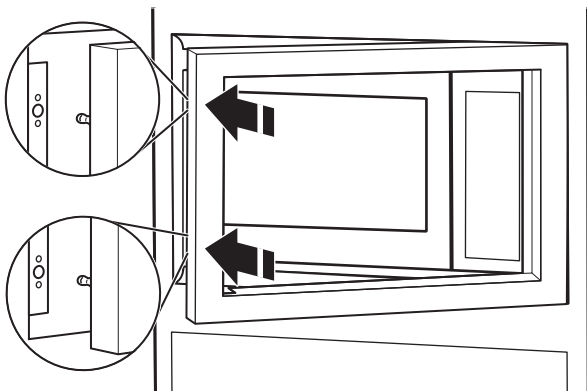
6. Ôter la pellicule protectrice du cadre de la trousse de garniture.



7. Aligner les rivets du cadre de la trousse de garniture avec les trous correspondants des rails et enclencher en place.

**REMARQUE :** Les rivets du haut et du bas sont situés à différentes distances du bord, le cadre ne peut donc être installé que d'une façon.

S'assurer que l'encoche est située dans le coin inférieur gauche.



Four à micro-ondes installé

## Terminer l'installation

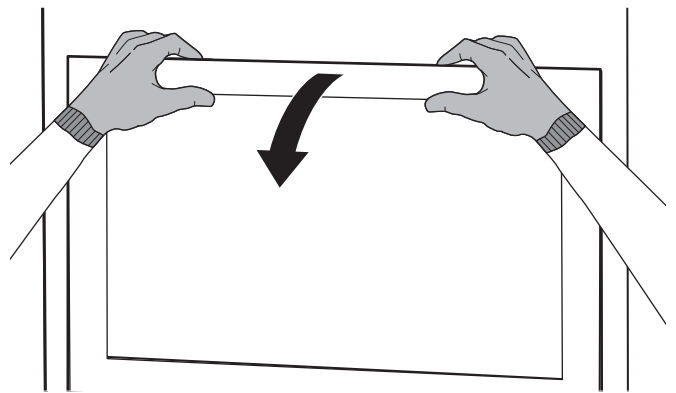
1. Installer le plateau rotatif dans le four à micro-ondes.
2. Contrôler le fonctionnement du four à micro-ondes : placer sur le plateau rotatif 1 récipient contenant 1 tasse (250 ml) d'eau et programmer une période de chauffage de 1 minute à la puissance maximale (100 %).
3. Si le four à micro-ondes ne fonctionne pas :
  - Déterminer si un fusible est grillé ou si un disjoncteur s'est ouvert. Remplacer le fusible ou réenclencher le disjoncteur. Si le problème persiste, appeler un électricien.
  - Vérifier que le cordon d'alimentation est correctement branché sur une prise de courant à 3 alvéoles reliée à la terre.
  - Pour l'information relative au dépannage, consulter le Guide d'utilisation et d'entretien.

L'installation est maintenant terminée.

Conserver les Instructions d'installation pour une éventuelle réutilisation future.

## Enlever le cadre de la trousse de garniture

Tirer fermement sur la garniture en la tenant au niveau de l'orifice d'aération supérieure.



## ASSISTANCE

Appeler le marchand local autorisé ou le centre de service agréé. Lors de l'appel, vous aurez besoin des numéros de modèle et de série du four à micro-ondes. Les deux numéros peuvent être trouvés sur la plaque signalétique située derrière la porte du four à micro-ondes, sur le châssis avant du four à micro-ondes.

Pour obtenir plus d'assistance, nous contacter au numéro sans frais ou visiter notre site Web (voir le Guide d'utilisation).

---

## Notes

---

## Notes

