

THIS TUB COMES IN THE FOLLOWING LINES

CLASSIC

FIJI J-12S (SKIRTED)

60" X 32" X 21" END DRAIN



JETTASOAK
HYDROTHERAPY

RECTANGLE • 1 PERSON

OPERATING GALLONS
REGULAR USAGE - 40 GAL.



FEATURES

GENERAL

- High-gloss, High-impact, UV-resistant acrylic will not dull or fade
- Suitable for alcove application
- Slip resistant bottom
- Integral skirt
- Molded tile flange

COMFORT

- Armrests
- Lumbar back support
- Totally insulated with eco-friendly polyurethane foam for a warmer bathing experience

CLEANLINESS

- Acrylic is easy to clean with standard non-abrasive household cleaning products

OPTIONS AVAILABLE

- Mood or LED lights
- Bath waste & overflows
- Spa Pillows
- Aromatherapy
- 6" acrylic grab bars
- Access panels

COLORS AVAILABLE

STANDARD COLORS

White, Biscuit

DECORATOR COLORS

Bone, Black, Ice Grey

WARRANTY

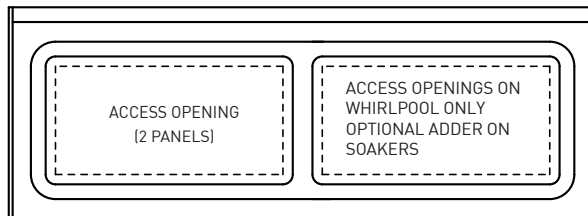
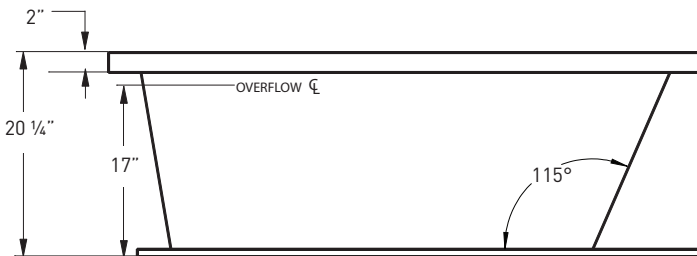
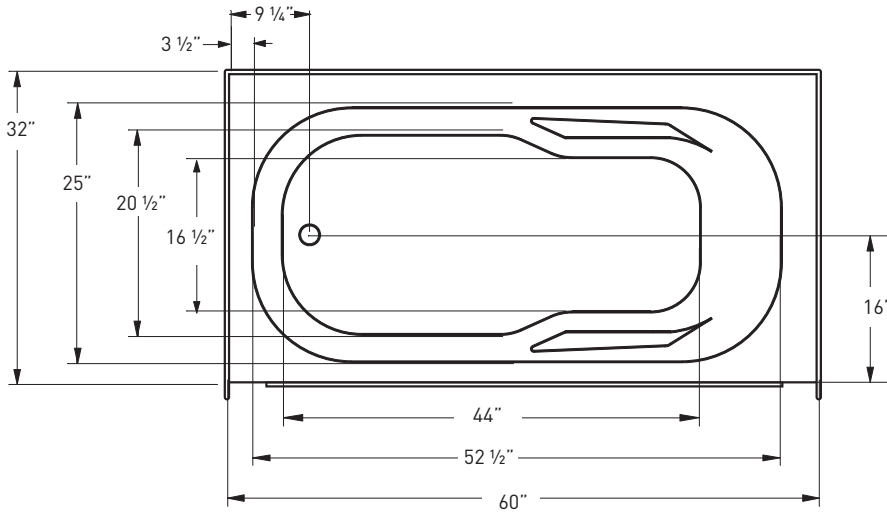
10-year limited factory warranty



J-12S (SKIRTED)

Classic Collection **FIJI**

JETTA SOAK HYDROTHERAPY | 60" X 32" X 21" | END DRAIN



INSTALLATION: MEASURE TUB BEFORE BUILDING TUB DECK.

For best results, Jetta Corporation recommends 1"-3" of mortar bedding under the tub base for maximum support. Contact Jetta for details. Dimensional variance on drawings may be +/- 1/2 inch and are subject to change without notice.

JETTACORP.COM

ELECTRICAL SPECIFICATIONS*

Required Electrical Service
110/115 Volts | 15 amp GFI

CODES/STANDARDS APPLICABLE

Specific model meets or exceeds the requirements for the following standards: ANSI, ASME

SHIPPING WEIGHT 160 lbs

*Required only if optional mood or LED light is specified



© 2019 Jetta Corporation. All rights reserved. Specifications are subject to change without notice.
REV 11/2019

TECHNICAL SPECIFICATIONS