



RM-7-HC

Glass Door Merchandiser with Swing Door



RM-7-HC
04/22/22
Item # 13408

W x D x H
21" x 25.25" x 39"



Item #: _____
 Project: _____
 Qty: _____
 AIA#: _____

Features

- ▶ Curved vertical corners with silver aluminum exterior provide enhanced product display
- ▶ Energy efficient vertical LED interior lights illuminate products on display
- ▶ Forced-air evaporator for quick temperature pull-down



Dimensions / Capacity

Interior Storage Capacity (CF)	7 ft ³
Overall Width x Depth	21" x 25.25"
Depth with door open	44.88"
Height	39"
Adjustable Shelves	2 adjustable, 1 floor shelf
Shelf Dimensions (W x D)	17.75" x 20.75"
Floor Shelf Dimensions (W x D)	18" x 9.25"
Crated Shipping Weight	180 lbs.
Crated Width x Depth x Height	28" x 24.5" x 44"

One Section RM-7-HC

Electrical / Refrigeration

Voltage	115/60/1
HACR Breaker	15.0 Amps
Electrical Connection (NEMA)	5-15P
Voltage Range	104-126
Ambient Temp. Range	60° to 86°F
Control Setpoint Range	32° to 39°F
Amperage	3.2
Energy Consumption (kWh/day) @ASHRAE	1.38
Approx. Nominal Compres. BTU/HR (HP)	582 (1/8HP)
Refrigerant	R290

One Section RM-7-HC

Options

- Floor Epoxy Shelf (HS-5344)
- Epoxy Shelf (HS-5343)

Warranty

3 Year - parts and Labor on entire machine.
 5 Year - Parts on Compressor
 Valid in United States, Canada, Puerto Rico and U.S. Territories. Contact factory for warranty in other countries.

- Large glass door are energy efficient low E multi pane glass
- Spring assisted self-closing door with stay open feature
- (3) epoxy coated wire shelves are standard
- Stackable (three units high) to conserve warehouse floor space
- Refrigerant flow is controlled with a capillary tube
- 2 inch leveling legs standard
- Three years parts and labor warranty
- Five year compressor warranty
- 8 ft. cord and plug

Capacity:
 20 oz. bottles: 102
 12 oz. bottles: 217

Container Qty: 144



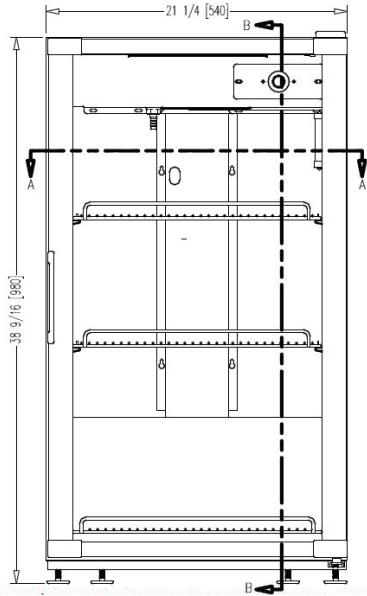
RM-7-HC

Glass Door Merchandiser with Swing Door

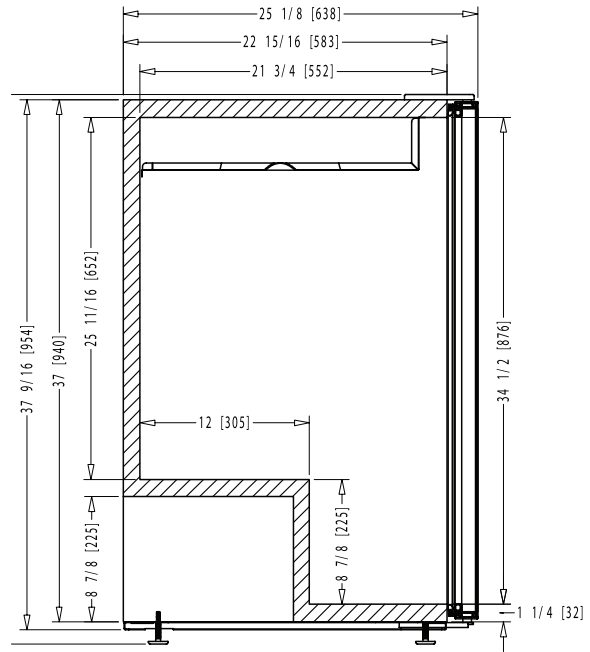


RM-7-HC
04/22/22
Item # 13408

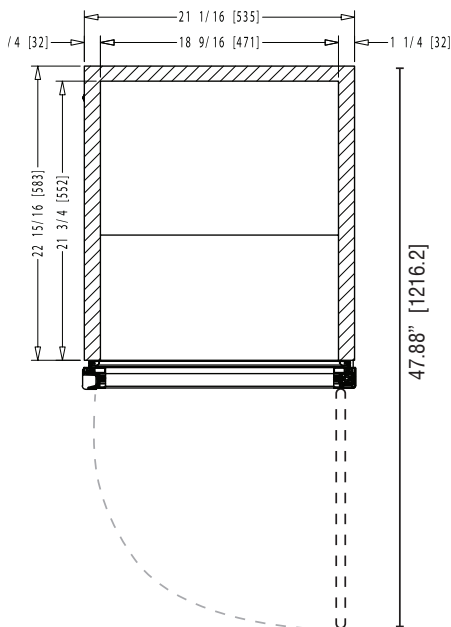
FRONT VIEW



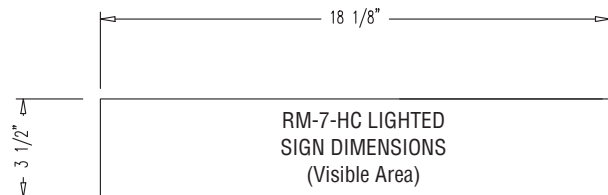
SIDE VIEW



PLAN VIEW



HEADER DIMS



Graphic Requirements:

- 360 dpi resolution. Scale 1=1
- Colors for CMYK process
- Image with 1/4" of excess by side
- Graphics must be saved in photoshop (with layers)
 - (or your sign company file type requirements)
- Include a full color print out

Material Requirements:

- 3M exterior grade UV resistant vinyl adhesive

Note: Texts and important parts of the image should be within the visible area. The visible area is illustrated by dotted lines when it applies.