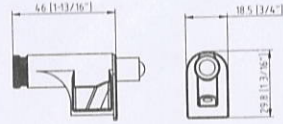
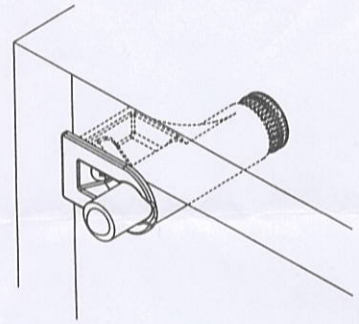


E L E M E N T S

Independent Soft Close Damper

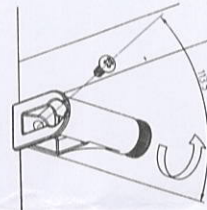


Installation Instructions:

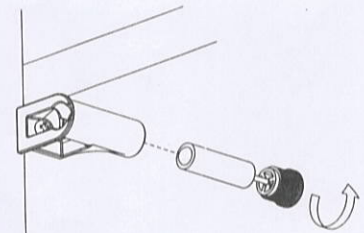
1. Remove damper and rear adjustment screw from housing.



2. Align housing in top corner of the cabinet, above the uppermost hinge. Install using a #6x3/4" pan head screw. For best results, pre-drill a pilot hole 3/32" diameter x 1/4" depth.



3. Install damper and rear adjustment screw into housing. Insert damper through the rear of the housing and then install adjustment screw.



4. The rear adjustment screw is used to control when the door engages the damper. Adjust using a screwdriver or by hand. For heavier doors, the screw should be adjusted inward and for lighter doors the screw should be adjusted outward. One soft close device will typically be sufficient; two devices can be used on heavier doors. When two devices are needed, install one device above the uppermost hinge and one device below the lowermost hinge.

