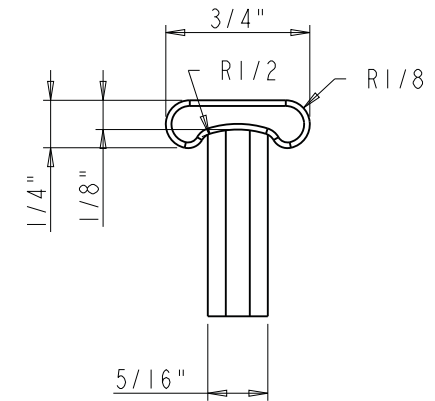
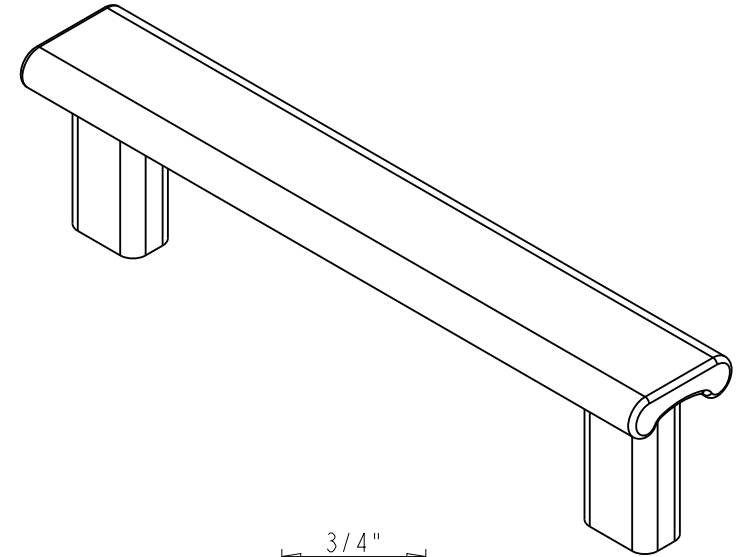
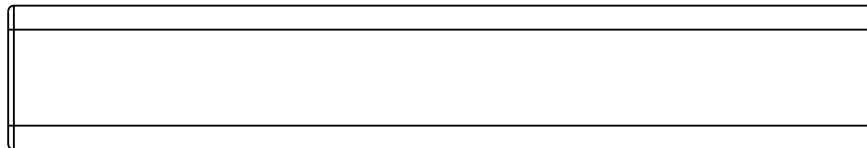
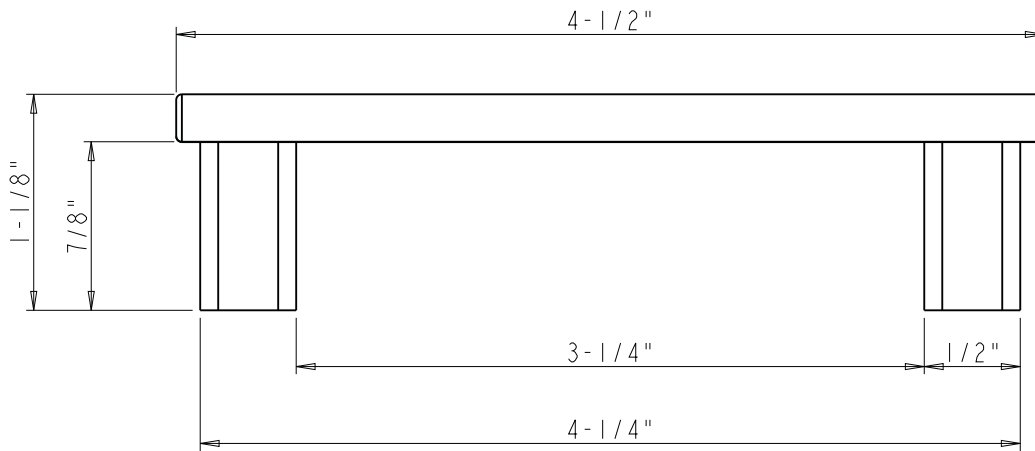
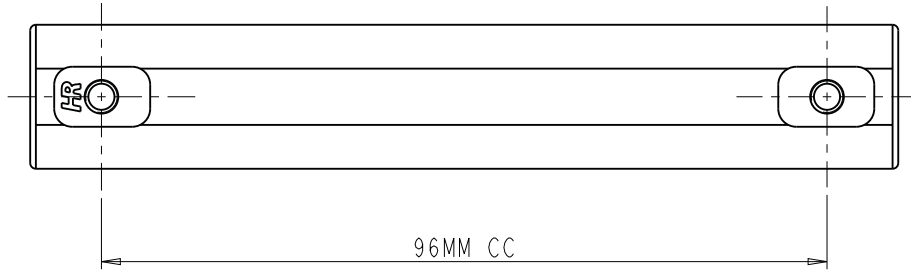


8-32 UNC - ∇ 1/2"



	ITEM:	R151208A-96	MATERIAL:	ZINC
	FINISH:		WEIGHT:	97.000 g
PROPRIETARY AND CONFIDENTIAL THE INFORMATION CONTAINED IN THIS DRAWING IS THE SOLE PROPERTY OF HARDWARE RESOURCES INC. ANY REPRODUCTION IN PART OR AS A WHOLE WITHOUT THE WRITTEN PERMISSION OF HARDWARE RESOURCES INC. IS PROHIBITED.	TOLERANCE UNLESS OTHERWISE SPECIFIED: X ±0.20 XX ±0.10 XXX ±0.05 ANGULAR: ±0.5°	UNITS: SIZE: SHEET:	DRAWN BY: Hugo.cai APPROVED BY: RELEASE LEVEL:	DATE: 04-12-16 DATE: REVISION:
DO NOT SCALE DRAWING	1 OF 1			