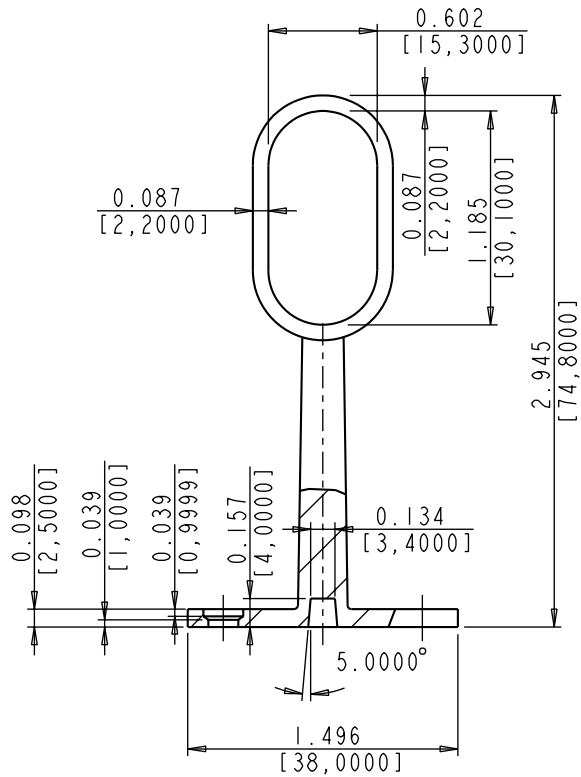
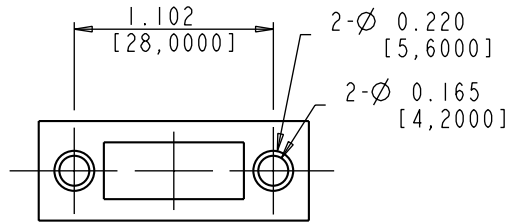
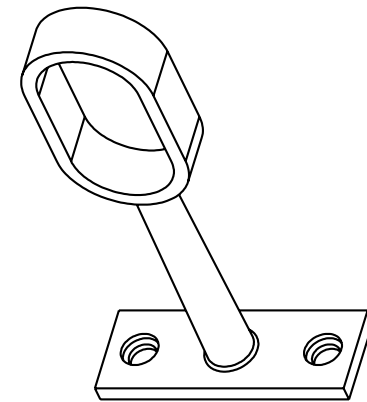
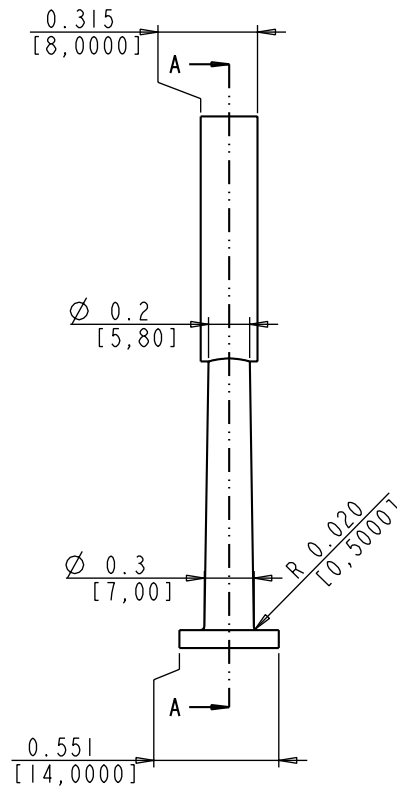


NO.	DESCRIPTION	NAME	DATE
I	NEW RELEASE	<i>Alan Liu</i>	2008-05-06



SECTION A-A
SCALE 1.000



SCALE 1.000

HARDWARE HR RESOURCES	4319 MARLENA ST. BOSSIER CITY, LA71111	ITEM# M7190	MATERIAL ZINC
		FINISH	WEIGHT: 25.38 g
TOLERANCE UNLESS OTHERWISE SPECIFIED X: MM ± 0.20 X.X: MM ± 0.10 X.XX: MM ± 0.05 ANGULAR: $\pm 5^\circ$ DO NOT SCALE DRAWING	UNIT: INCH / [MM]	DRAWN BY: <i>alan liu</i>	PROJECTION
	SIZE: A4	CHECKED BY:	DATE
	SHEET 1 OF 1	APPROVED BY:	DATE