

**Talis Select E**  
**Single-Hole Faucet 240, 1.2 GPM**  
 Finishes : **brushed nickel** Part no. : **71753821**



## Description

### Features

- Aerated spray
- Flow: 1.2 GPM (4.5 L/Min)
- Select cartridge for easy, intuitive operation: Push handle to turn water on and off, and turn to adjust temperature

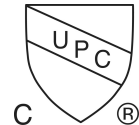
## Item details

List Price \$ 436.00

## Technology



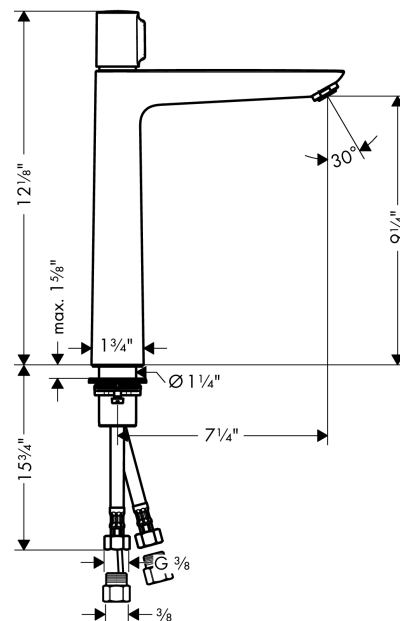
## Compliance



## Product image



## Scale drawing

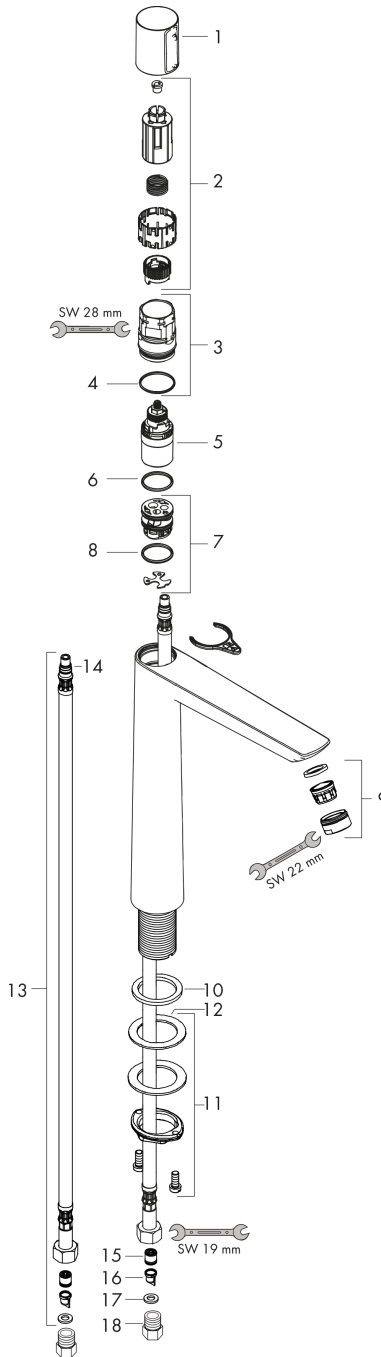


**Talis Select E**  
**Single-Hole Faucet 240, 1.2 GPM**  
 Finishes : brushed nickel Part no. : 71753821



Exploded drawing

Year of production: >03/18



**Talis Select E**  
**Single-Hole Faucet 240, 1.2 GPM**  
 Finishes : **brushed nickel**    Part no. : **71753821**



### Spare parts list

Year of production: >03/18

Pos.	Description	Part no.	Price	PU
1	handle	92525820	-	1
2	adapter for handle	92526000	-	1
3	nut	92528820	-	1
4	O-ring 27x1,5	92527000	-	1
5	cartridge, assy	92529000	-	1
6	O-Ring 28x2	98194000	-	1
7	adapter for cartridge	98866000	-	1
8	O-ring 23x2	98398000	-	1
9	aerator M24x1 (4,5 l/min)	92877820	-	1
10	flat seal	98749000	-	1
11	fixing set (Ø 32)	13961000	-	1
12	lever collar	97548000	-	1
13	connection hose 600 mm M8x0,75 G3/8	92629000	-	1
14	O-ring 7x1,5	98422000	-	1
15	non return valve DW 10	96456000	-	1
16	filter	92532000	-	1
17	sealing set	92533000	-	1
18	adapter for connection hose	88802000	-	1
a	fixation extension 35 mm	13898000	-	1