

Vernis Blend

Electronic Faucet with Preset Temperature Control AC-Powered, 0.5 GPM

Finishes : **chrome** Part no. : **71501001**



Description

Features

- Spray modes: Aerated spray
- Angle-adjustable spray
- Pre-set temperature
- Infrared sensor
- 100 - 240 Volt AC / 50-60 Hz
- flushing time adjustable
- Flushing time: 10 seconds, 20 seconds, 30 seconds
- frequency of hygiene rinse: 24 hours, 48 hours, 72 hours
- flushing time hygiene rinse: 10 seconds, 20 seconds, 30 seconds
- cleaning mode: temporary water stop feature for cleaning
- 3/8" connections

Item details

List Price

\$ 430.00

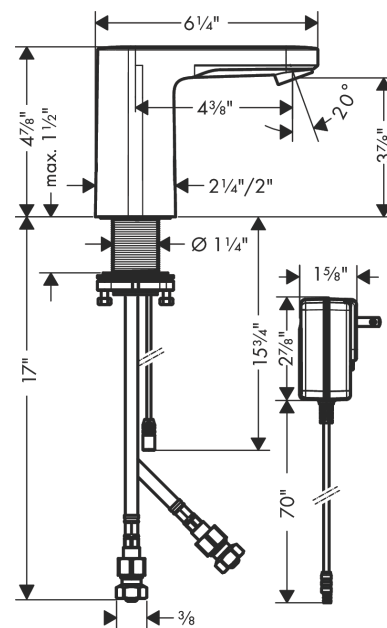
Technology



Product image



Scale drawing



Vernis Blend

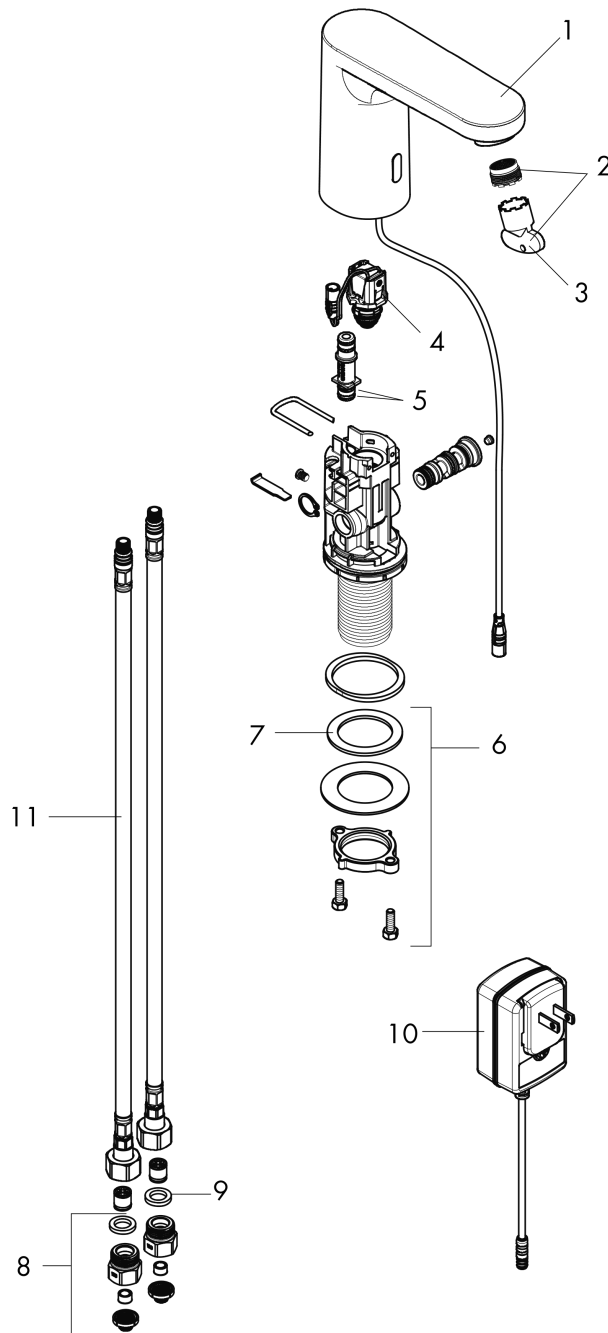
Electronic Faucet with Preset Temperature Control AC-Powered, 0.5 GPM

Finishes : **chrome** Part no. : **71501001**



Exploded drawing

Year of production: >12/21



Vernis Blend

Electronic Faucet with Preset Temperature Control AC-Powered, 0.5 GPM

Finishes : **chrome** Part no. : **71501001**



Spare parts list

Year of production: >12/21

Pos.	Description	Part no.	Price	PU
1	mixer-hood	94454000	-	1
2	aerator M18x1 (5 l/min)	94451000	-	1
3	service tool	93750000	-	1
4	solenoid valve	94453000	-	1
5	O-ring 8x1,5	98423000	-	1
6	fixing set (Ø 32)	13961000	-	1
7	lever collar	97548000	-	1
8	set of adapters	94469001	-	1
9	seal	97761000	-	1
10	transformer	94269000	-	1
11	connection hose 450 mm M8x0,75 G3/8	93405000	-	1