

ADA Axiom Collection

Undermount Single Bowl Model AADA-2318SU



AADA-2318SU

FEATURES

- Premium grade T-304 stainless steel
- 5", 5.5", 6" depth • 18 gauge
- Totalguard+ insulation
- 10mm/0.4" Radius Coved Corners
- Brushed satin, rear-set drain
- Fits 30" sink base
- 3-1/2" drain opening
- Supplied with cutout template, fasteners and instructions
- Complies with ASME A112.19.3-2008, cUPC®
- Lifetime Limited Warranty



ASME A112.19.3-2008

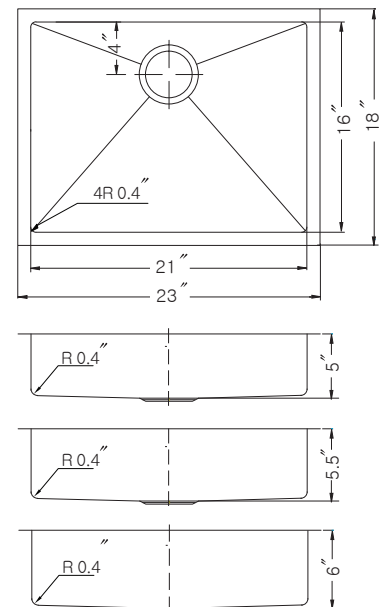


OPTIONAL ACCESSORIES

Bottom Grid: SWG-2116

Cutting Board : CUT-1518

Strainer: BAS-2000-SS



OVERALL DIMENSIONS	EACH BOWL	CUTOUT SIZE	PACKAGING*	WEIGHT*
23" x 18"	21" x 16"	See Template	1/16 pcs.	23/408 lbs.

*Standard packaging: Single boxed /Pallet of single boxed.
All dimensions are in inches. Specifications subject to change without notice.

Project/Job name _____

Architect/Engineer _____

Contractor _____

Model _____ Q'ty _____

Notes _____

Installation profile

